

4

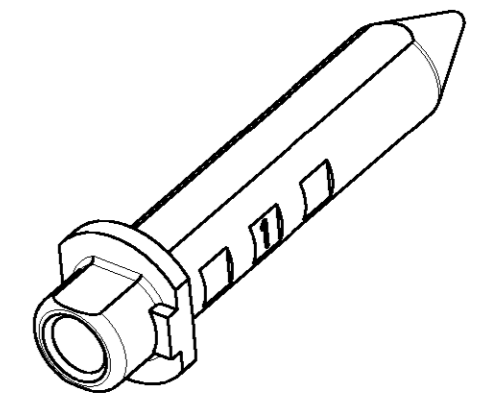
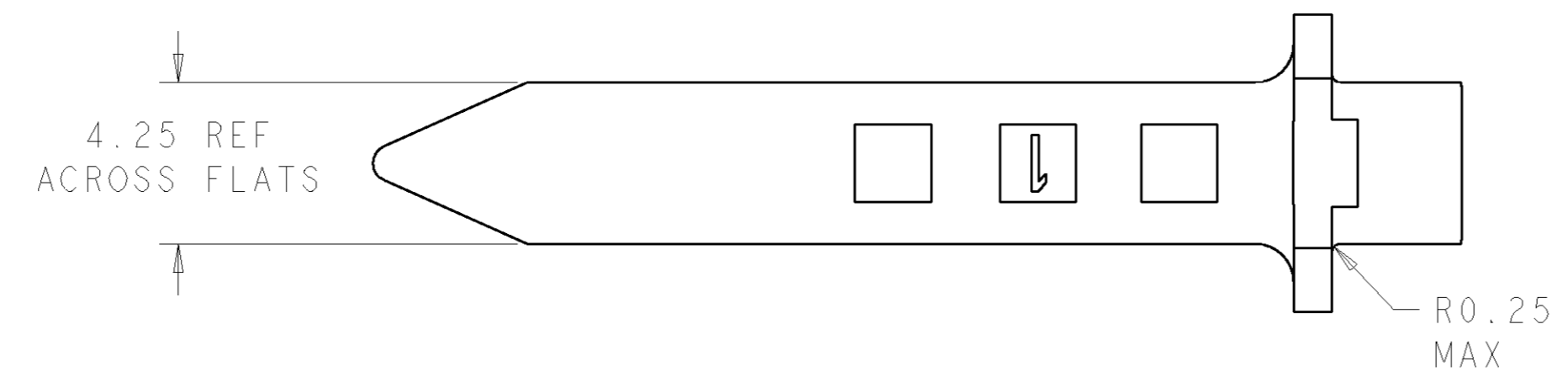
3

2

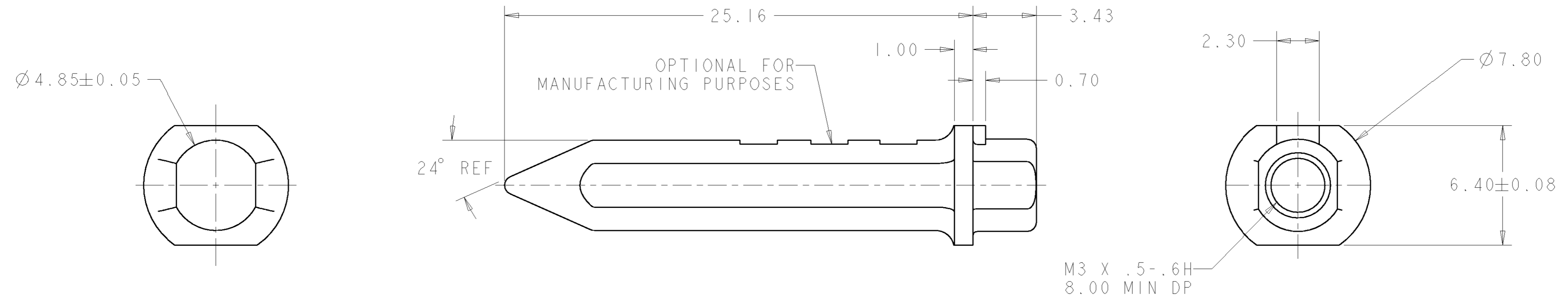
1

THIS DRAWING IS UNPUBLISHED. RELEASED FOR PUBLICATION 20
 © COPYRIGHT 20 BY TYCO ELECTRONICS CORPORATION. ALL RIGHTS RESERVED.

LOC	DIST	REVISIONS					
		P	LTR	DESCRIPTION	DATE	DWN	APVD
AD	00		A	RELEASED	18SEP2006	BC	RP
			AI	REV PER ECO-06-030038	16JAN2007	BC	RP



SCALE 3:1



- 1 ZINC ALLOY DIE CASTING.
- 2 CHROMATE CONVERSION COATING.
(ROHS COMPATIBLE).

120986-1
PART
NUMBER

<small>THIS DRAWING IS A CONTROLLED DOCUMENT FOR TYCO ELECTRONICS CORPORATION IT IS SUBJECT TO CHANGE AND THE CONTROLLING ENGINEERING ORGANIZATION SHOULD BE CONTACTED FOR THE LATEST REVISION.</small>		DWN B. CARBO 18SEP2006 CHK R. PATTERSON 18SEP2006 APVD R. PATTERSON 18SEP2006	tyco Electronics Tyco Electronics Harrisburg, PA 17105-3608
DIMENSIONS: mm 	TOLERANCES UNLESS OTHERWISE SPECIFIED: 0 PLC ± 1 PLC ±0.5 2 PLC ±0.13 3 PLC ±0.013 4 PLC ±0.0001 ANGLES ± FINISH	NAME GUIDE PIN UNIVERSAL POWER MODULE PRODUCT SPEC - APPLICATION SPEC - WEIGHT -	SIZE A200779 CAGE CODE C-120986 DRAWING NO 120986 RESTRICTED TO -
MATERIAL	1	CUSTOMER DRAWING	SCALE 6:1 SHEET 1 OF 1 REV AI