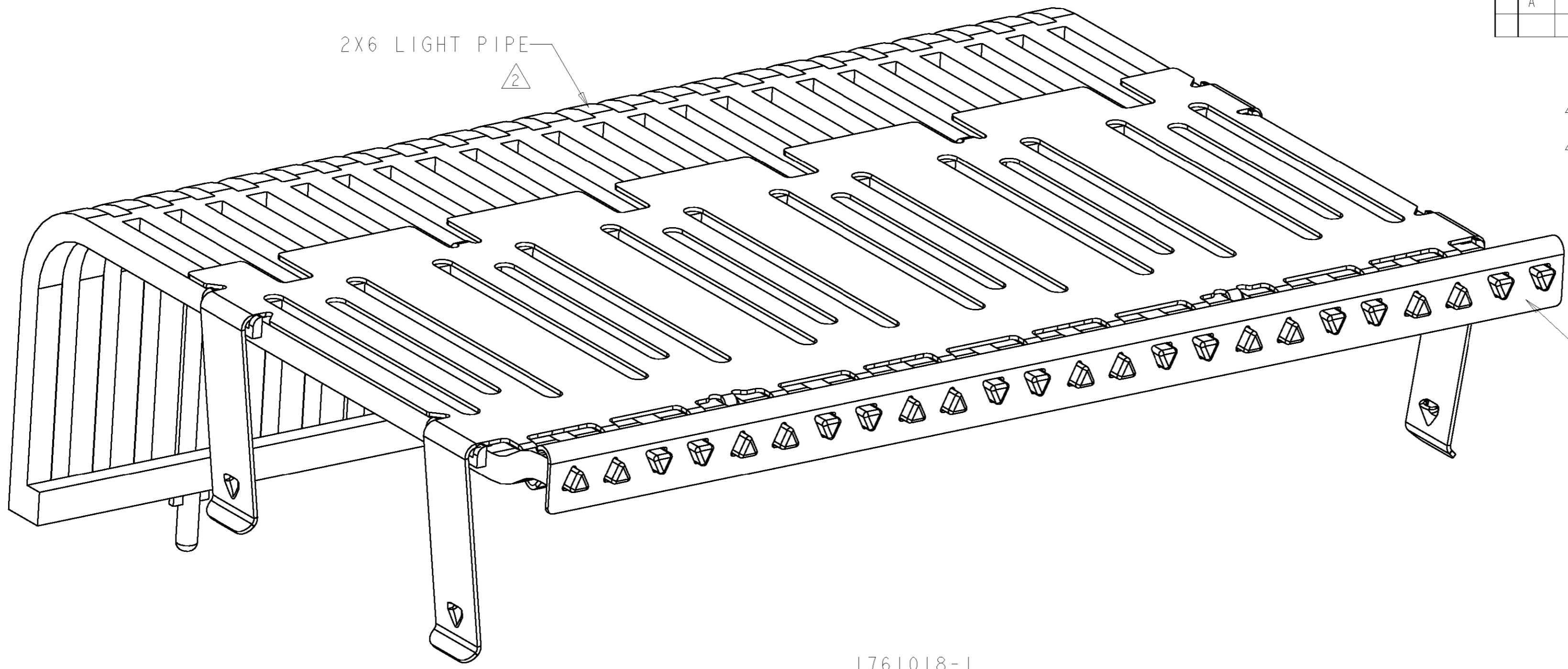


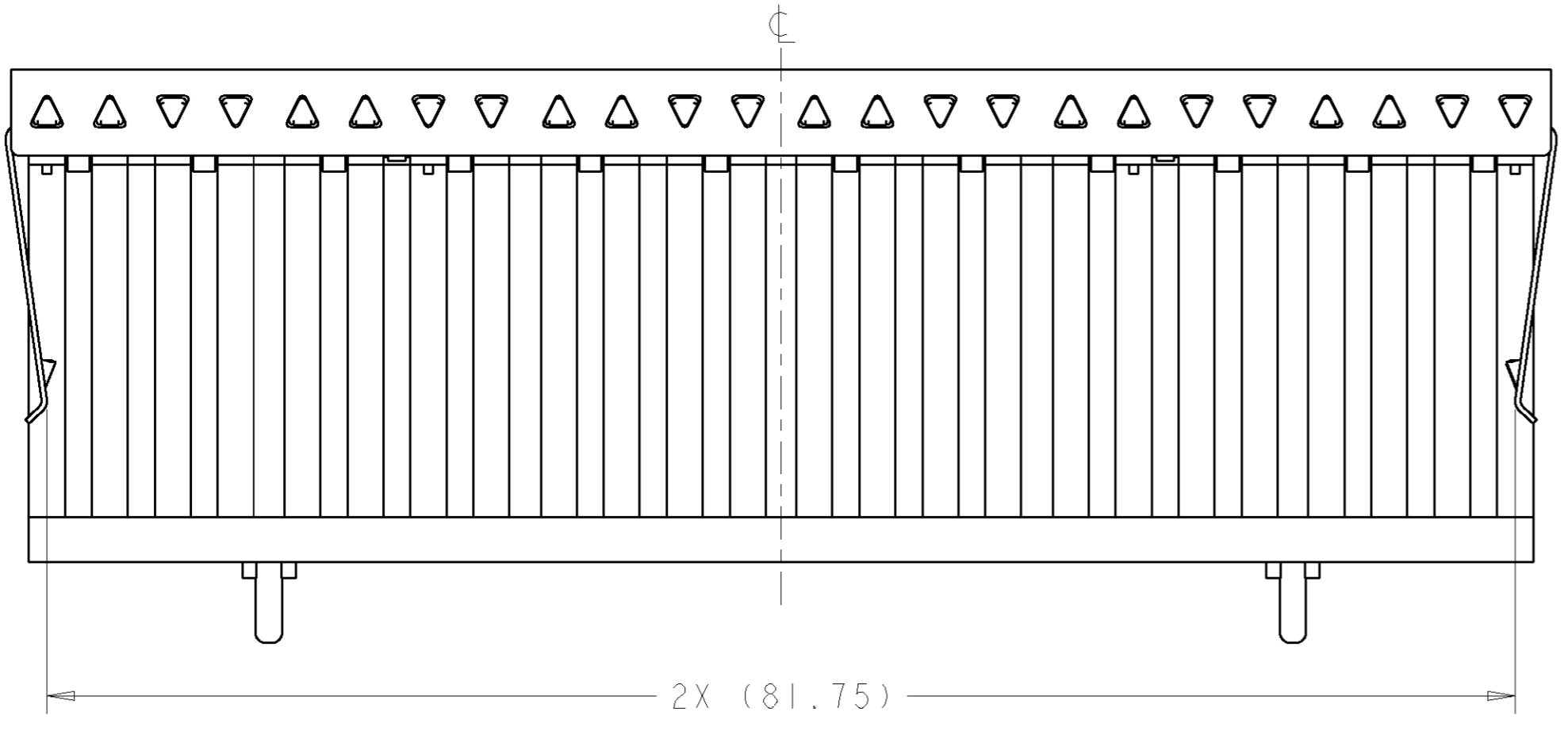
THIS DRAWING IS UNPUBLISHED. RELEASED FOR PUBLICATION 20
 © COPYRIGHT 20 BY TYCO ELECTRONICS CORPORATION. ALL RIGHTS RESERVED.

LOC	DIST	REVISIONS			
P	LTR	DESCRIPTION	DATE	DWN	APVD
GP	00				
	01	INITIAL RELEASE FOR CUSTOMER REVIEW	30JAN2004	MEC	RRH
	02	REVISED DRAWING LAYOUT	17FEB2004	MEC	RRH
	A	REVISED PER ECO-06-028435	11DEC06	BM	JK



- ① STAINLESS STEEL
- ② POLYCARBONATE, CLEAR

1761018-1
 SCALE 4:1



1761018-1
 PART NUMBER

<small>THIS DRAWING IS A CONTROLLED DOCUMENT FOR TYCO ELECTRONICS CORPORATION. IT IS SUBJECT TO CHANGE AND THE CONTROLLING ENGINEERING ORGANIZATION SHOULD BE CONTACTED FOR THE LATEST REVISION.</small>		DWN M.E. COWHER 30JAN2004 CHK R.R. HENRY 30JAN2004 APVD R.R. HENRY 30JAN2004	tyco Electronics Tyco Electronics Harrisburg, PA 17105-3608
DIMENSIONS: mm 	TOLERANCES UNLESS OTHERWISE SPECIFIED: 0 PLC ± 1 PLC ± 2 PLC ± 3 PLC ± 4 PLC ± ANGLES ± FINISH	PRODUCT SPEC - APPLICATION SPEC - WEIGHT -	NAME 2X6 LIGHT PIPE ASSEMBLY, STACKED SFP SIZE A2 CAGE CODE 00779 DRAWING NO. 1761018 RESTRICTED TO -
SEE NOTES	SEE NOTES	CUSTOMER DRAWING	SCALE 3:1 SHEET 1 OF 1 REV A