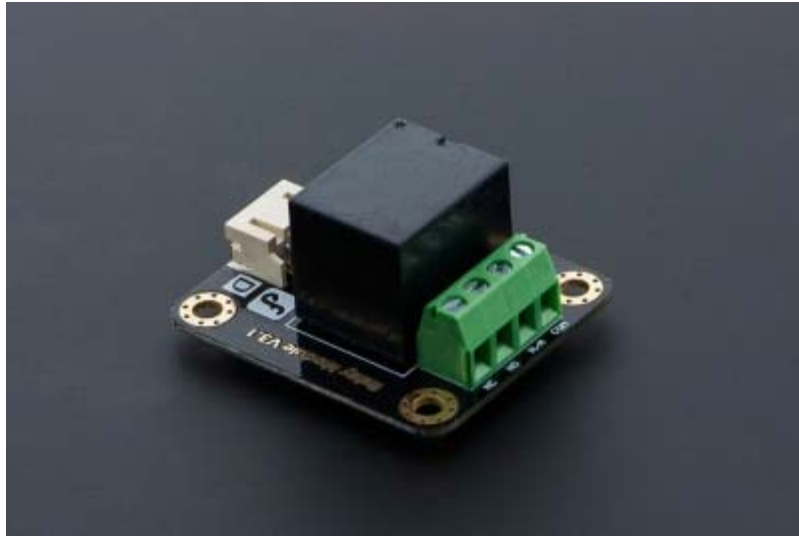




Relay Module (Arduino Compatible) (SKU: DFR0017)



Contents

- [1 Introduction](#)
- [2 Specification](#)
- [3 Tutorial](#)
 - [3.1 Connection Diagram](#)
 - [3.2 Sample Code](#)
 - [3.3 Result](#)

Introduction

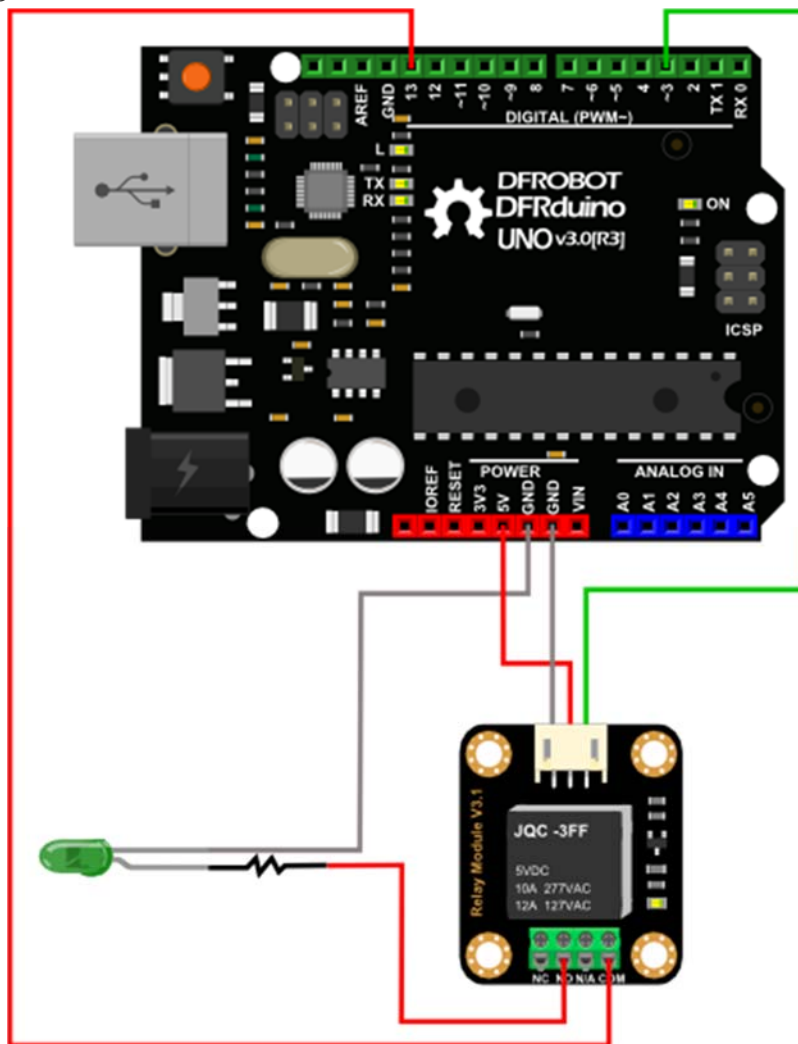
The DFRobot Single Relay blocks the number of electronic modules. It can be used in interactive projects. This relay shield uses Omron G5LA high-quality relay. It can also be used to control the lighting, electrical and other equipments. The modular design makes it easy to expand with the Arduino board (not included). The Relay output state by a light-emitting diode. It can be controlled through the digital IO port, such as solenoid valves, lamps, motors and other high current or high voltage devices.

Specification

- Type: Digital
- Single relay board
- Rated through-current: 10A (NO) 5A (NC)
- Maximum switching voltage: 150VAC 24VDC
- Digital interface
- Control signal: TTL level
- Rated load: 8A 150VAC (NO) 10A 24VDC (NO), 5A 250VAC (NO/NC) 5A 24VDC (NO/NC)
- Maximum switching power: AC1200VA DC240W (NO) AC625VA DC120W (NC)
- Contact action time: 10ms
- Module pin definitions: Pin1 - control side, Pin2 - Power supply (VCC), Pin3 - ground

Tutorial

Connection Diagram



Sample Code

```
//Arduino Sample Code
//www.DFRobot.com
//Last modified on 14th March 2012 by HJS
//This code has been updated to work with the sample code provided in the Wiki

int Relay = 3;

void setup()
{
  pinMode(13, OUTPUT);      //Set Pin13 as output
  digitalWrite(13, HIGH);  //Set Pin13 High
  pinMode(Relay, OUTPUT);  //Set Pin3 as output
}

void loop()
{
  digitalWrite(Relay, HIGH); //Turn off relay
  delay(2000);
  digitalWrite(Relay, LOW);  //Turn on relay
  delay(2000);
}
```

Result

Every two seconds, LED will be turned on and off.