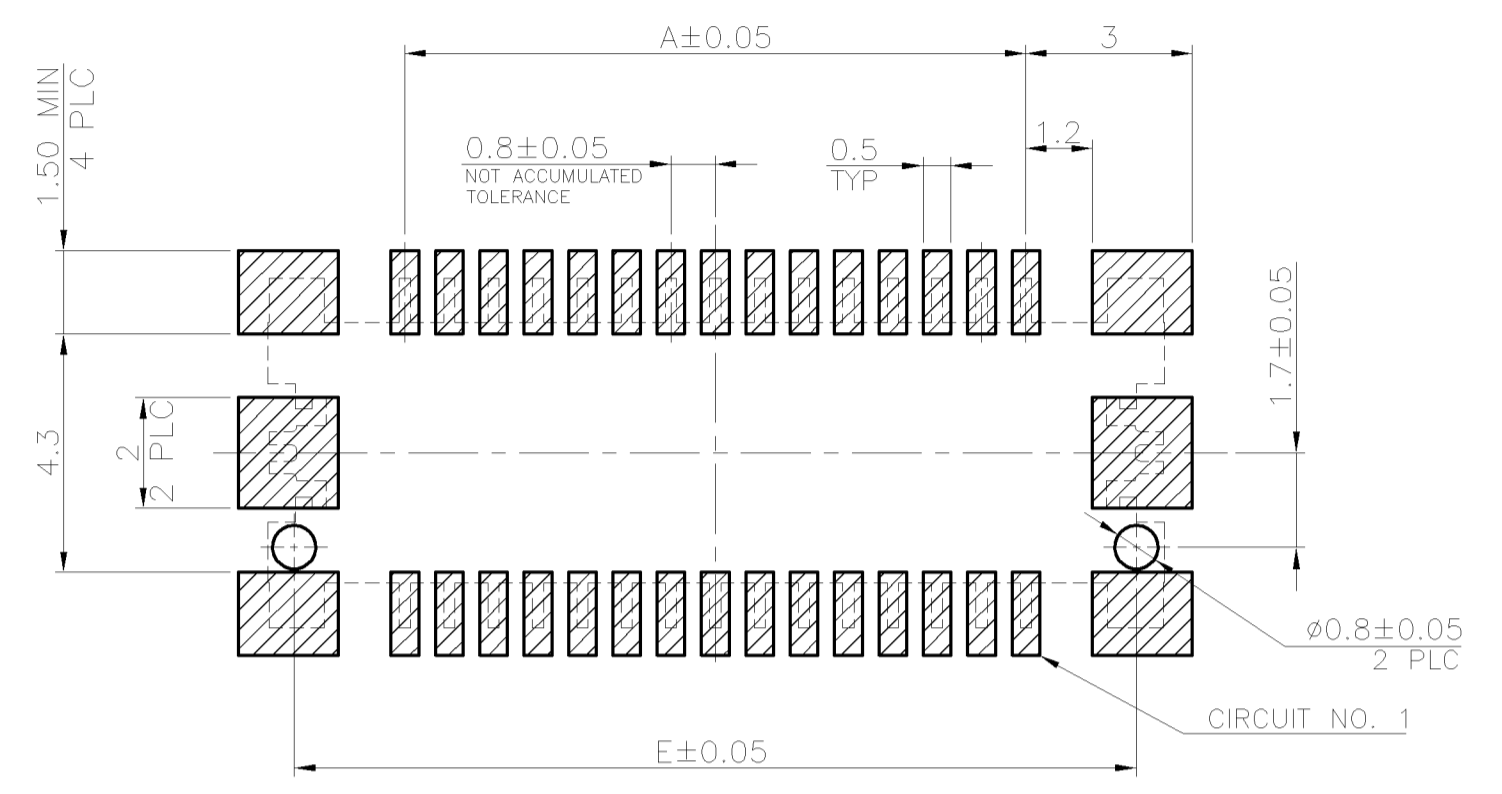
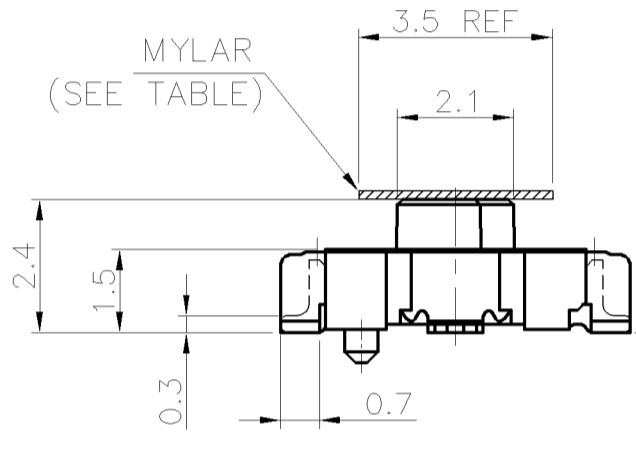
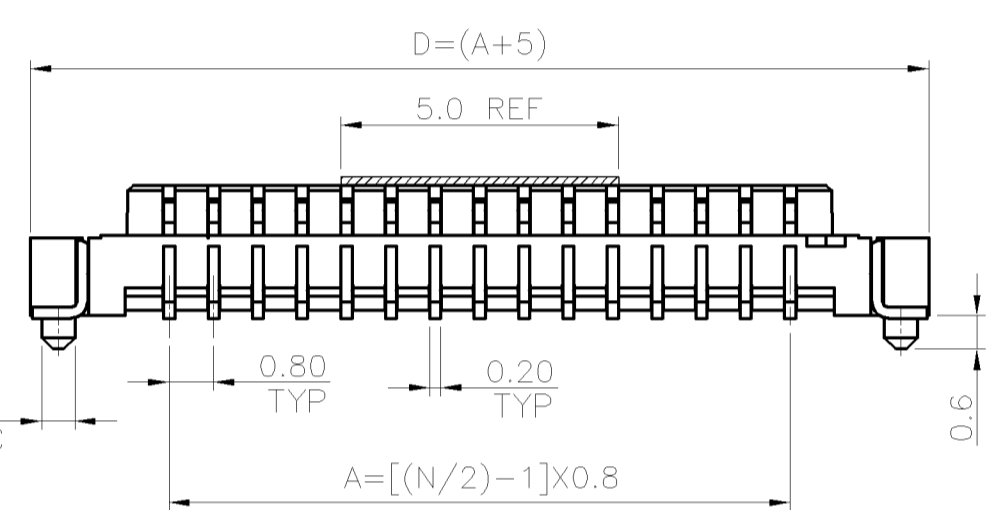
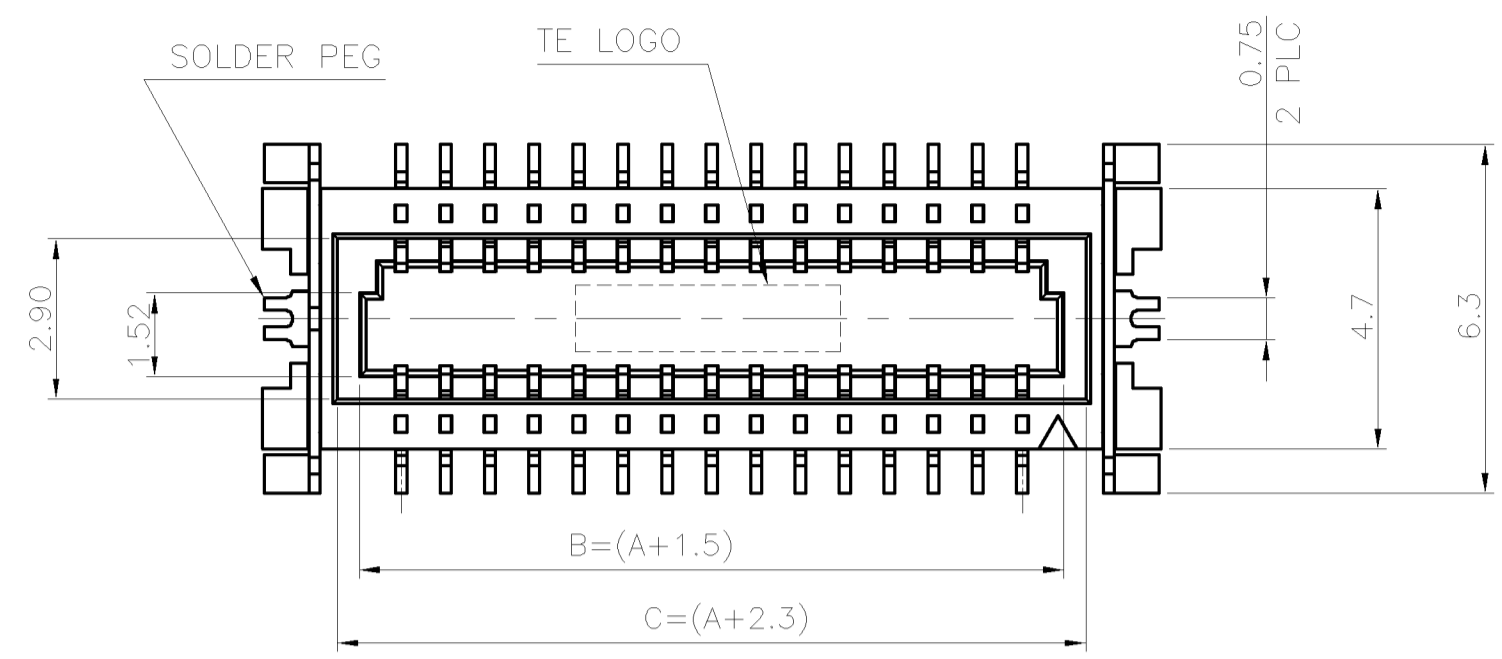
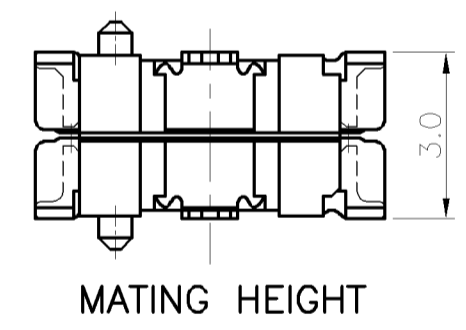


THIS DRAWING IS UNPUBLISHED. RELEASED FOR PUBLICATION
 © COPYRIGHT 2010 BY TYCO ELECTRONICS CORPORATION. ALL RIGHTS RESERVED.

LOC	DIST	REVISIONS					
DW	—	P	LTR	DESCRIPTION	DATE	DWN	APVD
		E		ECR-10-010953	21MAY10	AW	WK



TOLERANCE: ±0.05, THICKNESS: 1.2
RECOMMENDED PCB LAYOUT
 (TOP VIEW)



- NOTES:
- MATERIAL:
 HOUSING: PA6T UL94 V-0, NATURAL COLOR.
 CONTACT: PHOSPHOR BRONZE.
 PEGS: BRASS.
 - FINISH:
 CONTACT: (SEE TABLE)
 PLATING A: 100μ" MIN. MATTE-TIN ON ENTIRE CONTACT.
 PLATING B: GOLD FLASH ON ENTIRE CONTACT.
 (WITH ENTIRE CONTACT UNDERPLATED 50μ" MIN. NICKEL)
 PEGS: 100μ" MIN. MATTE-TIN OVER 50μ" MIN. NICKEL UNDERPLATED.
 - PART NUMBER OF MATING PLUG:
 MATING HEIGHT:
 3 MM: X-1775014-X
 5 MM: X-1775015-X
 5.5 MM: X-1775149-X
 - REFLOW SOLDER CAPABLE TO 260°C PER TEC-109-201, CONDITION B.

W/	(SEE SHEET 3)	A	0.14	8	9	6.3	5.5	4.0	12	5-1775013-4
		B	0.259	15.2	16.2	13.5	12.7	11.2	30	5-1775013-3
W/O	(SEE SHEET 2)	A	0.330	19.2	20.2	17.5	16.7	15.2	40	4-1775013-0
			0.259	15.2	16.2	13.5	12.7	11.2	30	3-1775013-0
			0.217	12.8	13.8	11.1	10.3	8.8	24	2-1775013-4
			0.189	11.2	12.2	9.5	8.7	7.2	20	2-1775013-0
		B	0.133	8	9	6.3	5.5	4.0	12	1-1775013-2
			0.189	11.2	12.2	9.5	8.7	7.2	20	1775013-5
			0.330	19.2	20.2	17.5	16.7	15.2	40	1775013-4
			0.259	15.2	16.2	13.5	12.7	11.2	30	1775013-3
		0.217	12.8	13.8	11.1	10.3	8.8	24	1775013-2	
		0.133	8	9	6.3	5.5	4.0	12	1775013-1	
MYLAR	PACKAGE	CONTACT PLATING	WEIGHT (GRAMS)	DIMENSIONS					NO. OF CONTACTS	PART NUMBER
				E	D	C	B	A		

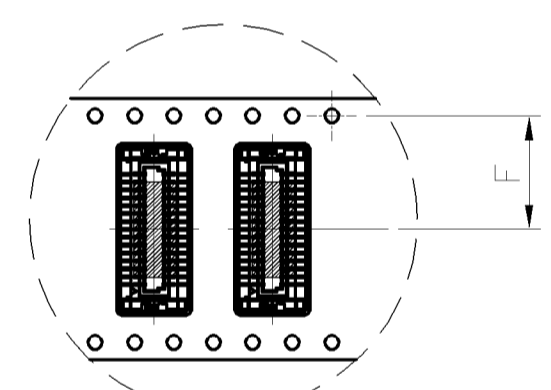
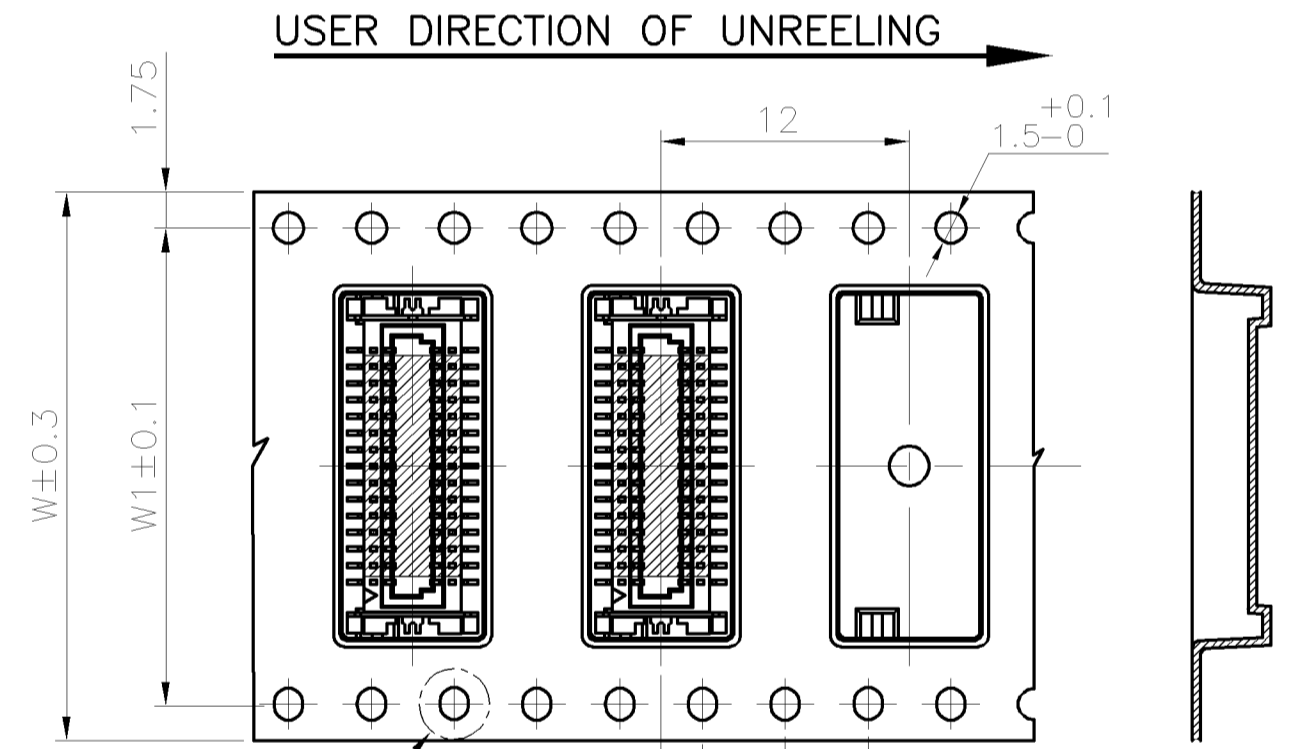
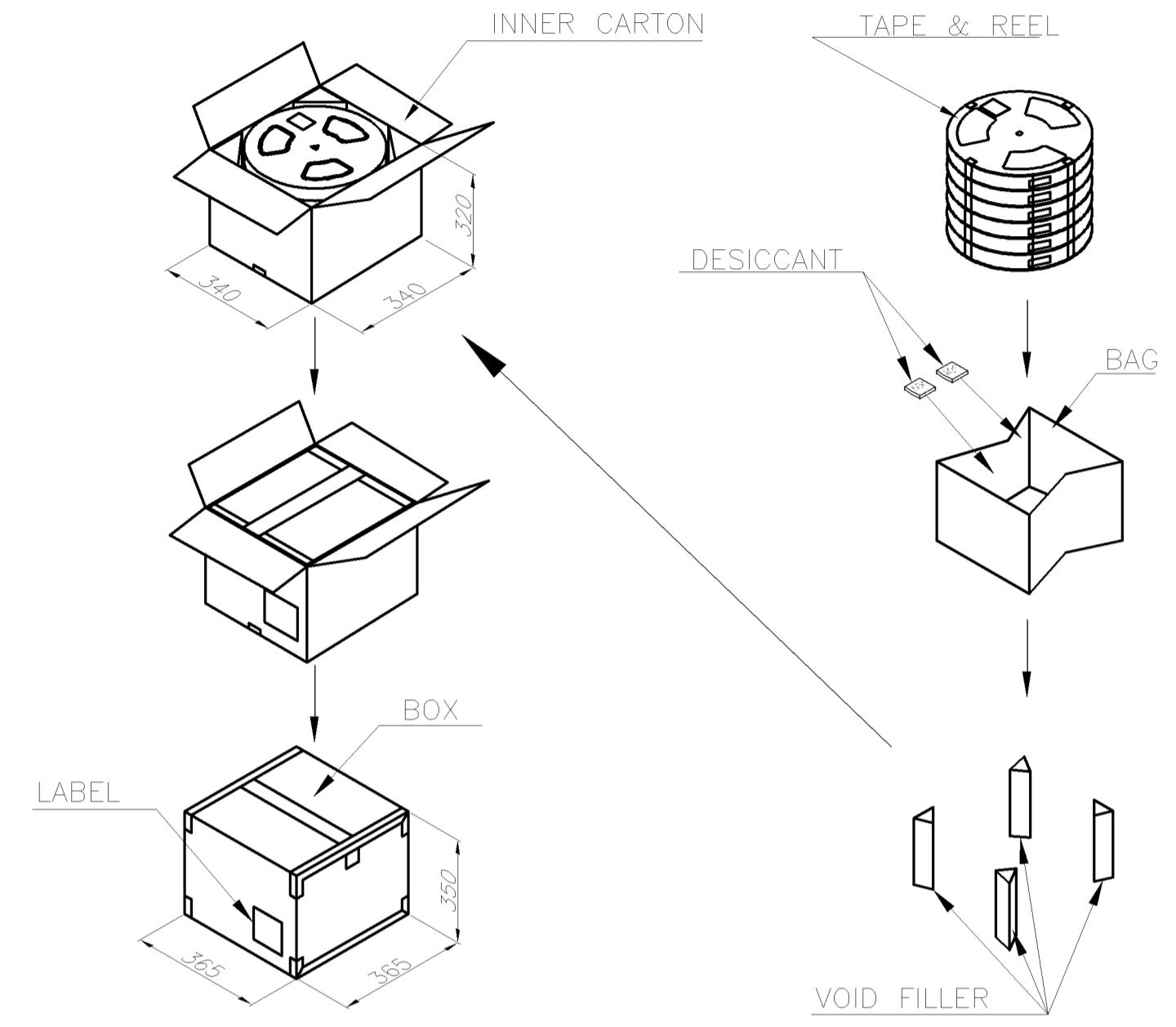
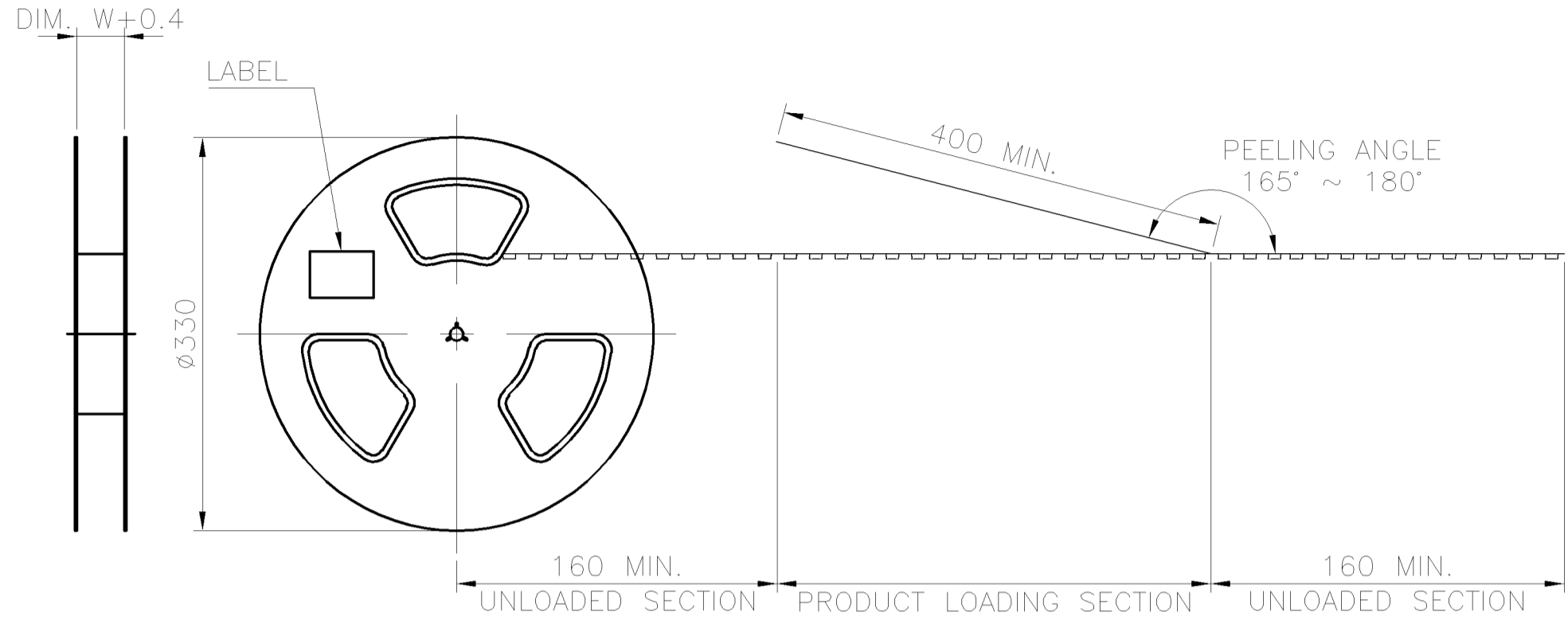
THIS DRAWING IS A CONTROLLED DOCUMENT.

DWN A. WU 19JUL2004	Tyco Electronics Corporation Taipei, Taiwan
CHK S. HOU 19JUL2004	
APVD T. KE 19JUL2004	
PRODUCT SPEC 108-57488	
MATERIAL SEE NOTE	FINISH SEE NOTE
CUSTOMER DRAWING	

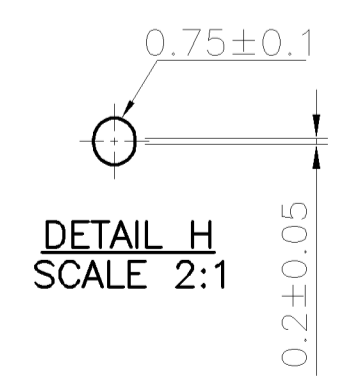
NAME	BOARD TO BOARD CONNECTOR, 0.8mm PITCH, FINE-STACK, RECEPTACLE		
SIZE	CAGE CODE	DRAWING NO	RESTRICTED TO
A3	00779	C-1775013	—
SCALE	SHEET	REV	
—	1 OF 3	E	

THIS DRAWING IS UNPUBLISHED. RELEASED FOR PUBLICATION
 © COPYRIGHT 2010 BY TYCO ELECTRONICS CORPORATION. ALL RIGHTS RESERVED.

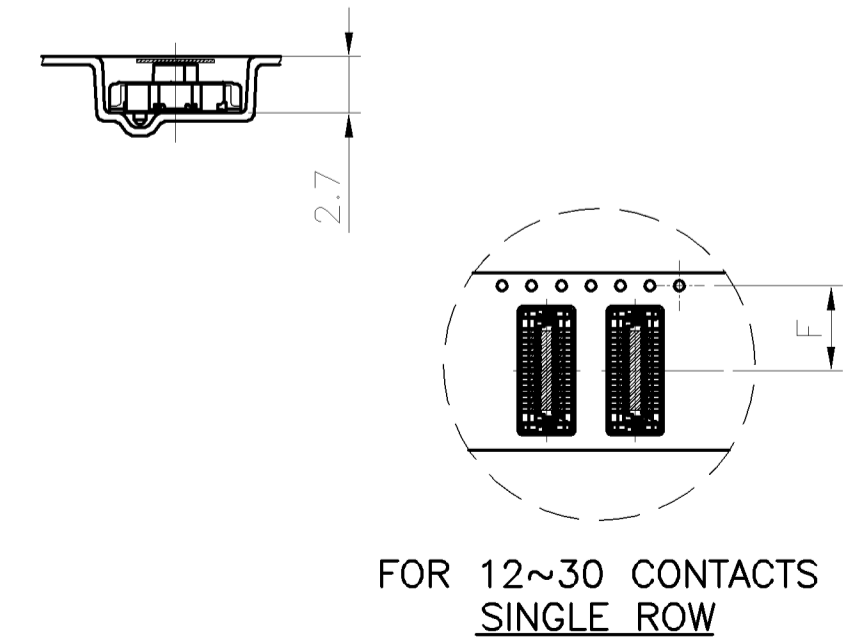
LOC	DIST	REVISIONS			
P	LTR	DESCRIPTION	DATE	DWN	APVD
DW	—	SEE SHEET 1.			



FOR 40 CONTACTS
DUAL ROW



DETAIL H
SCALE 2:1



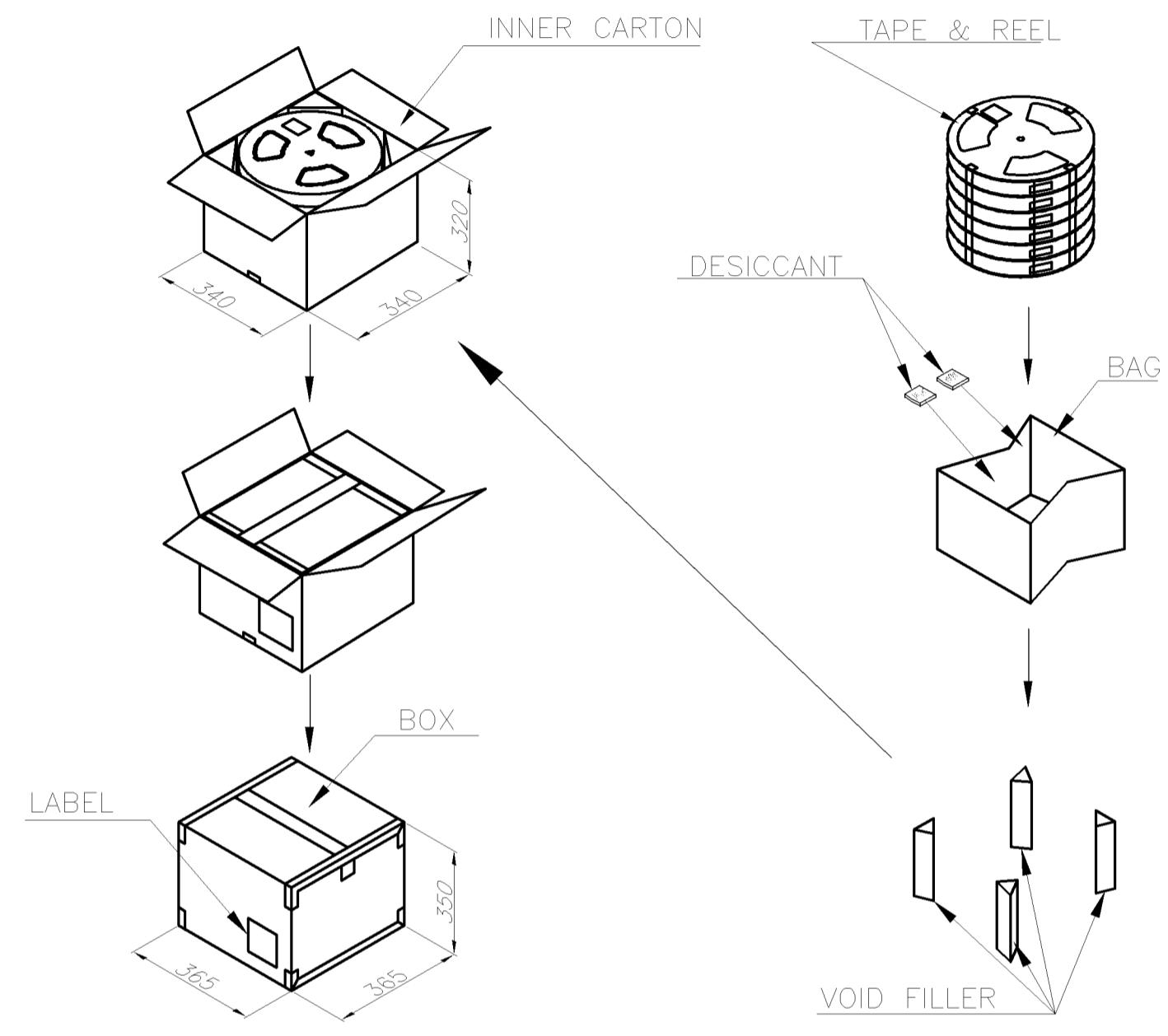
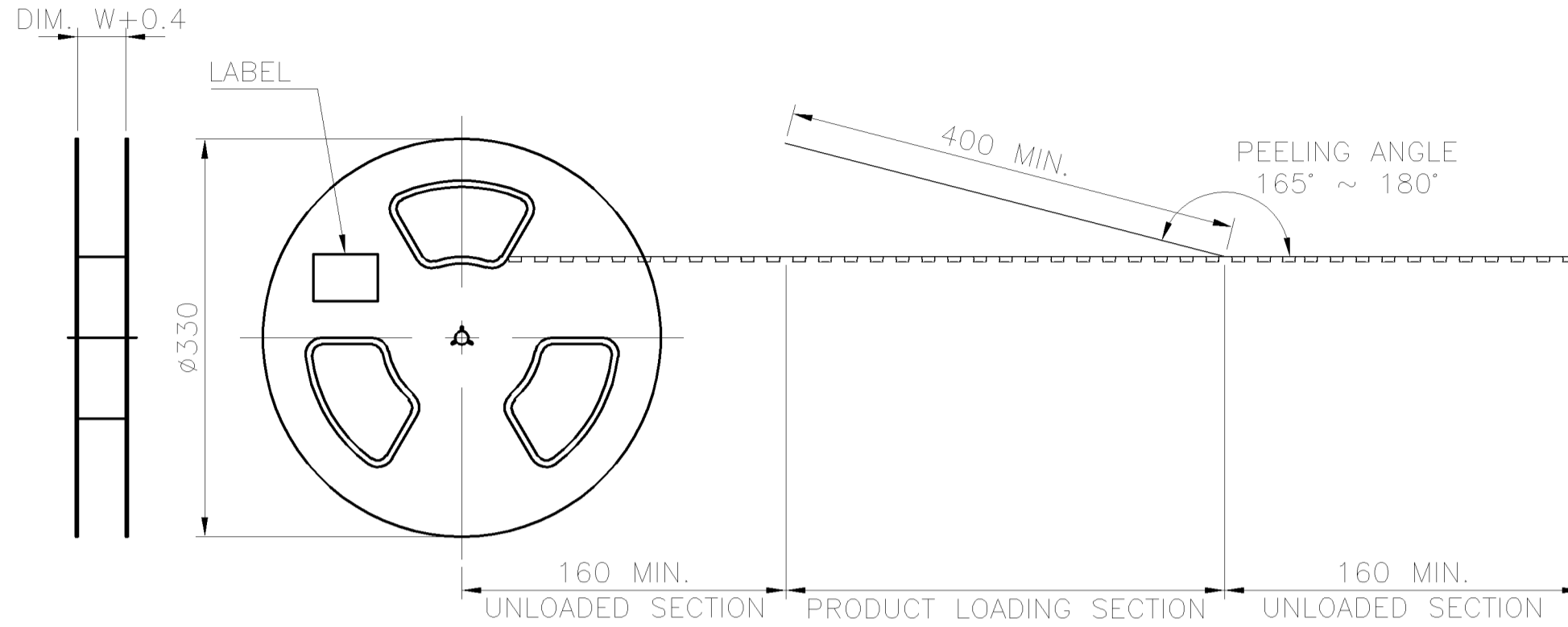
FOR 12~30 CONTACTS
SINGLE ROW

QUNTITY	PCS/TAPE	REELS/BOX	W	W1	F	G/W (Kg)	N/W (Kg)	NO. OF CONTACTS	PART NUMBER
12000	1500	8	32	28.4	14.2	10.5	4.75	40	4-1775013-0
15000	1500	10	24	28.4	11.5	10.0	3.88	30	3-1775013-0
						9.5	3.26	24	2-1775013-4
						9.3	2.28	20	2-1775013-0
12000	1500	8	32	28.4	14.2	10.5	4.75	40	1775013-5
						10.0	3.88	30	1775013-4
						9.5	3.26	24	1775013-3
15000	1500	10	24	28.4	11.5	9.5	3.26	24	1775013-2
						8.5	1.99	12	1775013-1
						8.5	1.99	12	1775013-1

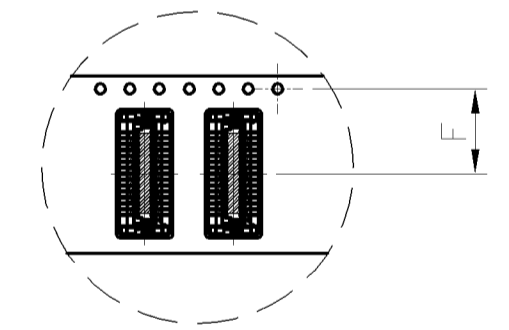
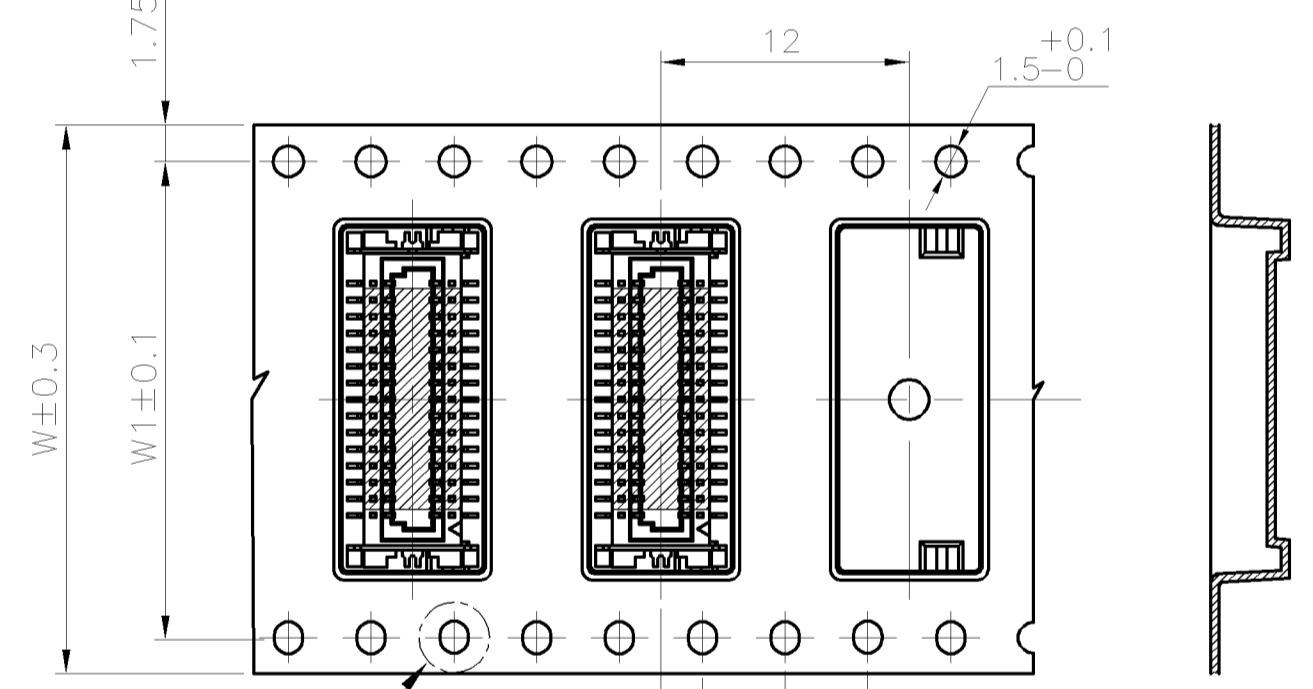
THIS DRAWING IS A CONTROLLED DOCUMENT.		DWN A. WU 19JUL2004	Tyco Electronics Corporation Taipei, Taiwan			
DIMENSIONS: MM		CHK S. HOU 19JUL2004				
TOLERANCES UNLESS OTHERWISE SPECIFIED:		APVD T. KE 19JUL2004	NAME			
0 PLC ± - 1 PLC ± - 2 PLC ± - 3 PLC ± - 4 PLC ± - ANGLES ± -		PRODUCT SPEC	BOARD TO BOARD CONNECTOR, 0.8mm PITCH, FINE-STACK, RECEPTACLE			
MATERIAL		APPLICATION SPEC				
FINISH		WEIGHT	SIZE	CAGE CODE	DRAWING NO	RESTRICTED TO
			A3	00779	C=1775013	
CUSTOMER DRAWING			SCALE	SHEET	REV	
			—	2 OF 3	E	

THIS DRAWING IS UNPUBLISHED. RELEASED FOR PUBLICATION
 © COPYRIGHT 2010 BY TYCO ELECTRONICS CORPORATION. ALL RIGHTS RESERVED.

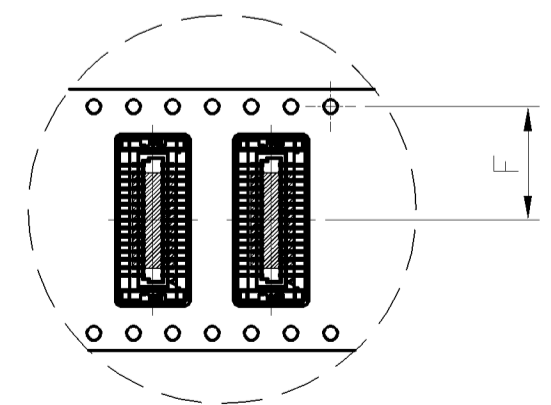
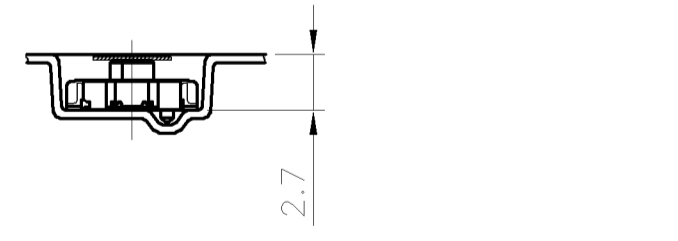
LOC	DIST	REVISIONS			
P	LTR	DESCRIPTION	DATE	DWN	APVD
DW	—	SEE SHEET 1.			



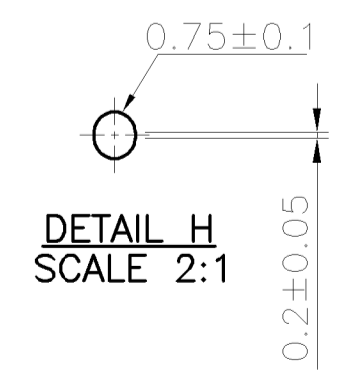
USER DIRECTION OF UNREELING →



FOR 12~30 CONTACTS SINGLE ROW



FOR 40 CONTACTS DUAL ROW



15000	1500	10	24	11.5	9.0	2.10	12	5-1775013-4	
15000	1500	10	24	11.5	10.0	3.88	30	5-1775013-3	
QUTANTITY	PCS/TAPE	REELS/BOX	W	W1	F	G/W (Kg)	N/W (Kg)	NO. OF CONTACTS	PART NUMBER

THIS DRAWING IS A CONTROLLED DOCUMENT.		DWN A. WU 19JUL2004	Tyco Electronics Corporation Taipei, Taiwan	
DIMENSIONS: MM		CHK S. HOU 19JUL2004		
TOLERANCES UNLESS OTHERWISE SPECIFIED:		APVD T. KE 19JUL2004	NAME	
0 PLC ± -		PRODUCT SPEC	BOARD TO BOARD CONNECTOR, 0.8mm PITCH, FINE-STACK, RECEPTACLE	
1 PLC ± -		APPLICATION SPEC		
2 PLC ± -		WEIGHT	SIZE	CAGE CODE
3 PLC ± -		CUSTOMER DRAWING	DRAWING NO	
4 PLC ± -			RESTRICTED TO	
ANGLES ± -		A300779		G=1775013
FINISH		SCALE		SHEET
		3 OF 3		REV E