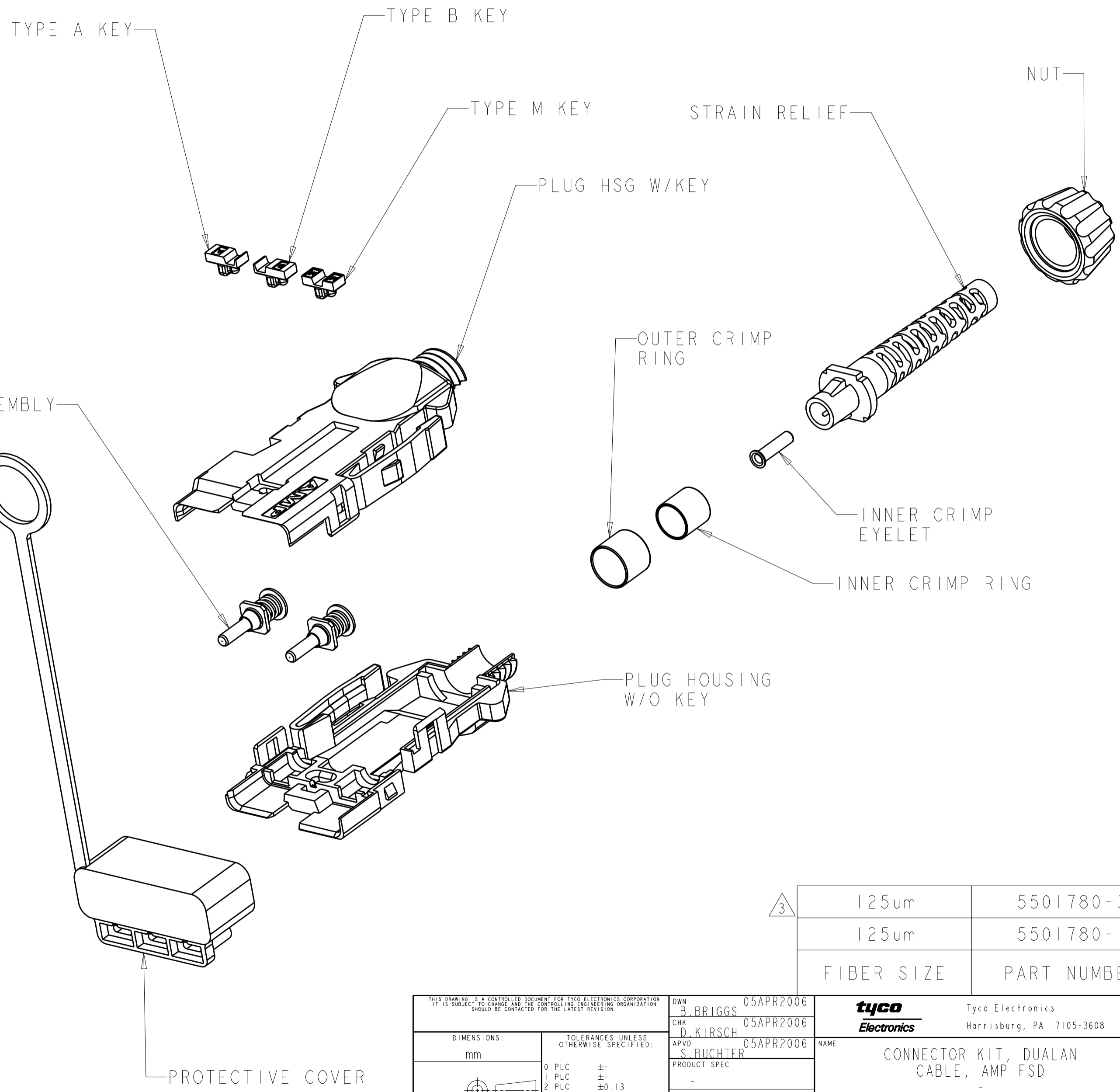
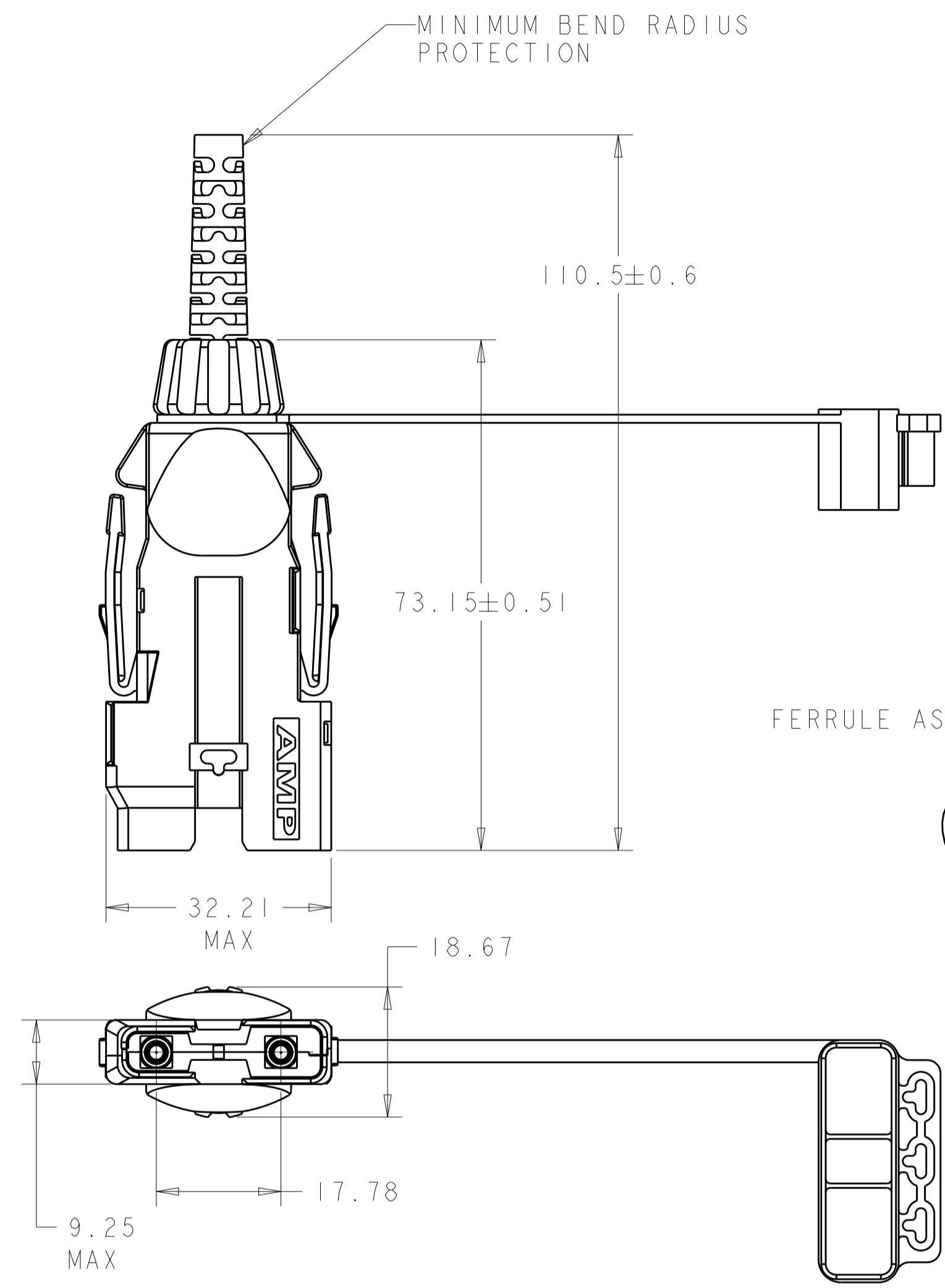


THIS DRAWING IS UNPUBLISHED. RELEASED FOR PUBLICATION 20
 © COPYRIGHT 20 BY TYCO ELECTRONICS CORPORATION. ALL RIGHTS RESERVED.

LOC	DIST	REVISIONS			
P	LTR	DESCRIPTION	DATE	DWN	APVD
CE	00	A	RELEASE TO ACTIVE	06JUN2006	BB SM



- 1. CONNECTOR WITHOUT KEY IS TYPE S.
- 2. INSTRUCTION SHEET 408-9373.
- 3 BULK PACKAGED.
- 4 HOUSINGS: PBT MOLDING COMPOUND
 NUT: PBT MOLDING COMPOUND
 FERRULE ASSY: STAINLESS STEEL AND CERAMIC
 INNER CRIMP RING: BRASS
 OUTER CRIMP RING: COPPER
 STRAIN RELIEF: POLYPROPYLENE
 PROTECTIVE COVER: THERMOPLASTIC ELASTOMER

3	125um	5501780-3
	125um	5501780-1
	FIBER SIZE	PART NUMBER

THIS DRAWING IS A CONTROLLED DOCUMENT FOR TYCO ELECTRONICS CORPORATION. IT IS SUBJECT TO CHANGE AND THE CONTROLLING ENGINEERING ORGANIZATION SHOULD BE CONTACTED FOR THE LATEST REVISION.		DWN B. BRIGGS 05APR2006	Tyco Electronics Harrisburg, PA 17105-3608
DIMENSIONS: mm		CHK D. KIRSCH 05APR2006	
TOLERANCES UNLESS OTHERWISE SPECIFIED:		APVD S. BUCHTER 05APR2006	
0 PLC ±- 1 PLC ±- 2 PLC ±0.13 3 PLC ±- 4 PLC ±- ANGLES ±- FINISH ±-		PRODUCT SPEC - APPLICATION SPEC - WEIGHT -	
MATERIAL	4	CUSTOMER DRAWING	NAME CONNECTOR KIT, DUALAN CABLE, AMP FSD SIZE A200779 CAGE CODE C-5501780 DRAWING NO 5501780 RESTRICTED TO - SCALE NTS SHEET 1 OF 1 REV A