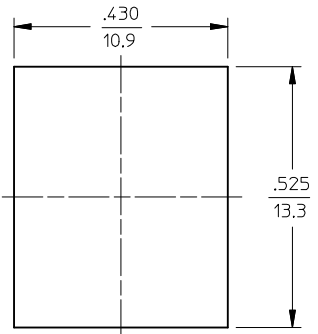
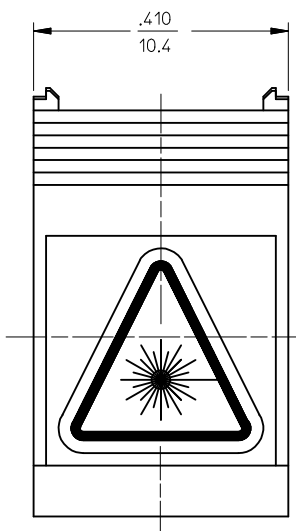


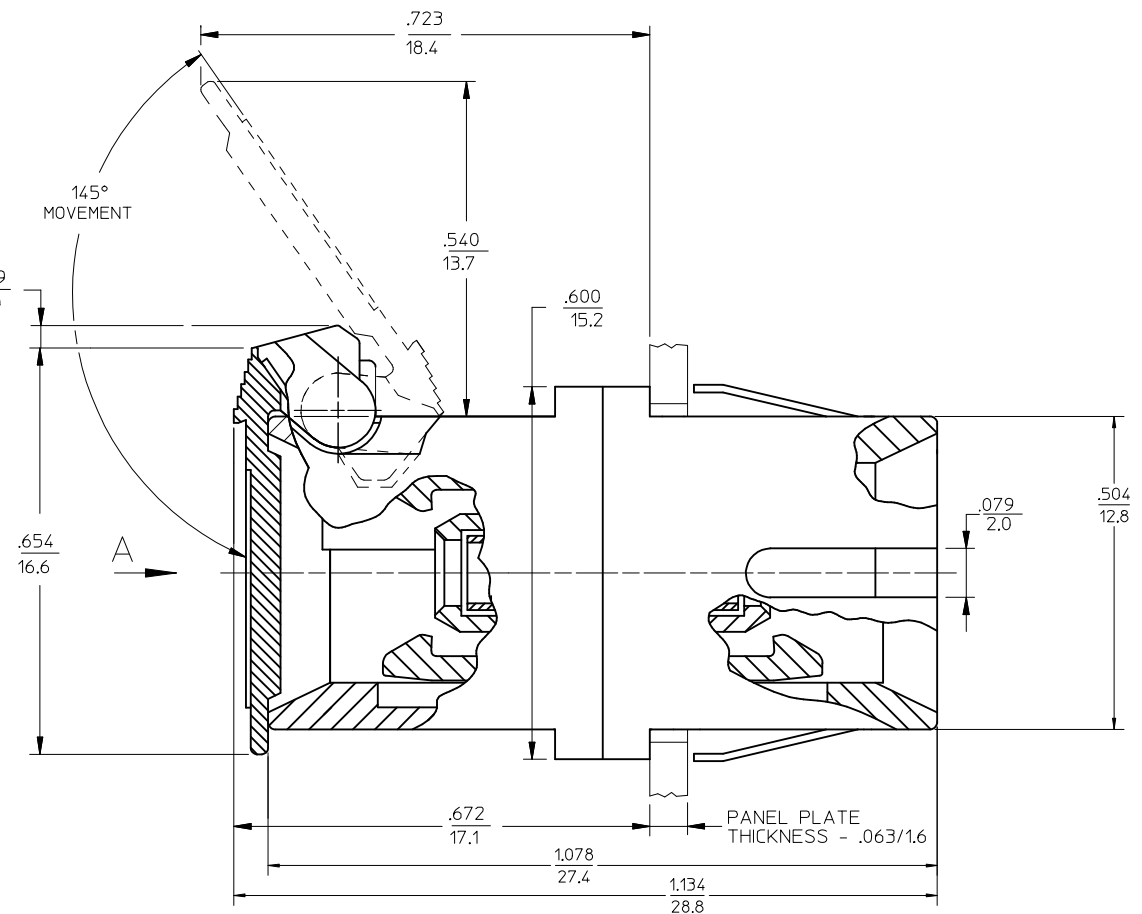
ADAPTER P/N
106170-0522
106170-0532*



RECOMMENDED
MOUNTING HOLE



VIEW A



NOTES:

1. ALL DIMENSIONS ARE FOR REFERENCE ONLY.
2. LABEL IS INSTALLED AND ORIENTED AS SHOWN IN VIEW A .
3. DUST CAPS ARE NOT SHOWN BUT INCLUDED.
- *4. P/N 106170-0532 IS BULK PACKED.

ENTER DESCRIPTION EC NO: MF2013-0603 DRW: MKPEVNER 2013/03/25 CHKD: APPR: LGUMIN 2013/03/27 A1	QUALITY SYMBOLS ▽=0 ▽=0	GENERAL TOLERANCES (UNLESS SPECIFIED) <table border="1"> <tr> <th></th> <th>mm</th> <th>INCH</th> </tr> <tr> <td>4 PLACES</td> <td>± .005</td> <td>± .0004</td> </tr> <tr> <td>3 PLACES</td> <td>± .004</td> <td>± .0003</td> </tr> <tr> <td>2 PLACES</td> <td>± .003</td> <td>± .0002</td> </tr> <tr> <td>1 PLACE</td> <td>± .002</td> <td>± .0001</td> </tr> <tr> <td>0 PLACE</td> <td>± .001</td> <td>± .0000</td> </tr> </table>		mm	INCH	4 PLACES	± .005	± .0004	3 PLACES	± .004	± .0003	2 PLACES	± .003	± .0002	1 PLACE	± .002	± .0001	0 PLACE	± .001	± .0000	DIMENSION STYLE IN/MM DRAWN BY: RPACIFICI DATE: 2005/10/13 CHECKED BY: DATE: APPROVED BY: DATE:	SCALE: 5:1 DESIGN UNITS: INCH THIRD ANGLE PROJECTION	TITLE: SC ADAPTER W/SHIELD ZR SLV GREEN, (W/INSTALLED LABEL)
		mm	INCH																				
	4 PLACES	± .005	± .0004																				
	3 PLACES	± .004	± .0003																				
2 PLACES	± .003	± .0002																					
1 PLACE	± .002	± .0001																					
0 PLACE	± .001	± .0000																					
MATERIAL NO. SEE TABLE	DOCUMENT NO. SD-106170-0522	SHEET NO. 1 OF 1																					
ANGULAR ±1/2° DRAFT WHERE APPLICABLE MUST REMAIN WITHIN DIMENSIONS			THIS DRAWING CONTAINS INFORMATION THAT IS PROPRIETARY TO MOLEX INCORPORATED AND SHOULD NOT BE USED WITHOUT WRITTEN PERMISSION																				
SIZE B			THIS DRAWING CONTAINS INFORMATION THAT IS PROPRIETARY TO MOLEX INCORPORATED AND SHOULD NOT BE USED WITHOUT WRITTEN PERMISSION																				