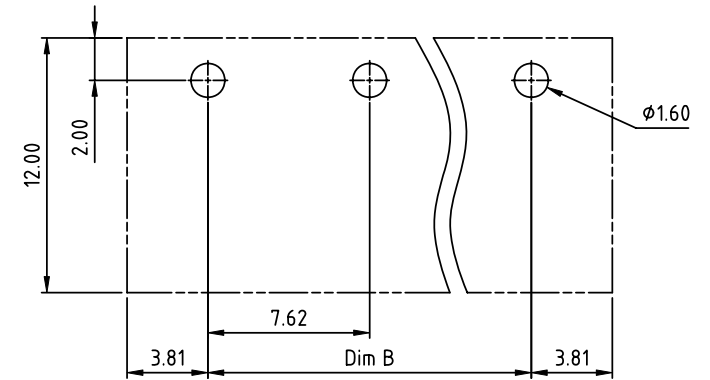
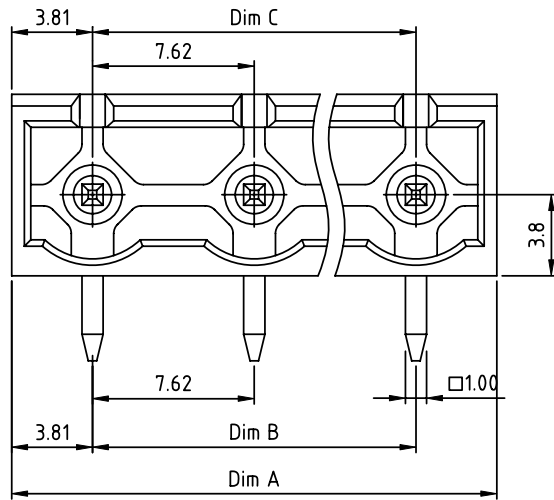
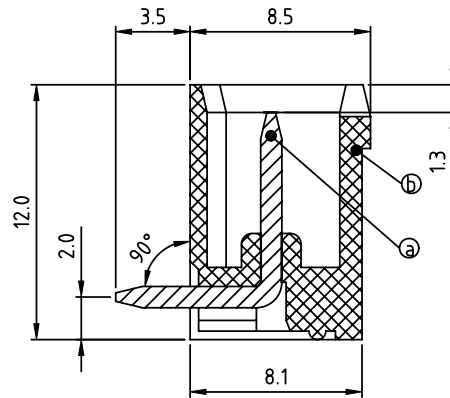
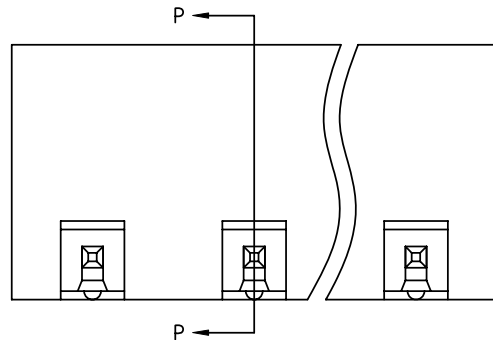


PRODUCT NUMBER	PITCH
OQxx01x100J0G	7.62 mm



RECOMMENDED P.C.B LAYOUT  
TOP VIEW



SECTION P-P

Material:

- Item (a) Male contact pin : Copper Tin plated
- Item (b) Terminal housing: Thermoplastic (UL94V-0)

- Electrical: cULus TUV
- Voltage rating: 300V 750V
  - Current rating: 20A 15A
  - Withstanding Voltage: 1.6 KV 6KV
  - Operating temperature: -40°C to +115°C
  - Soldering temperature: 260°C±5°C/5 Sec
  - Safety Approval: cULus TUV

DIMENSION

Dim A	NX7.62
Dim B&C	(N-1)X7.62

N= Number of poles

Poles	Tolerance
2P-6P	±0.20
7P-12P	±0.30
13P-16P	±0.40

PART NO.: OQ xx 0 1 x 1 00J0 G

- |              |   |                   |                 |
|--------------|---|-------------------|-----------------|
| No. of poles | 0 | Body Color        | RoHS compliant  |
| 02 2 poles   | 2 | Black (RAL9005)   | (lead<4%)       |
| 03 3 poles   | 2 | Red (RAL3001/D)   | In copper Alloy |
| ...          | 3 | Orange(RAL2011/P) |                 |
| 16 16 poles  | 4 | Yellow(RAL1018/A) |                 |
|              | 5 | Green(RAL6018/T)  |                 |
|              | 6 | Blue (RAL5015/A)  |                 |
|              | 8 | Grey(RAL7035/D)   |                 |
|              | 9 | White(RAL1102)    |                 |
|              | C | Green(RAL6018/U)  |                 |

mat'l. code		surface ASME Y14.5	tolerance ASME Y14.5	projection	product family
ltr	ecn no	dr	date	tolerances unless otherwise specified	TERMINAL BLOCK
				angles $\phi$ E	title
				X.±0.5	TERMINAL BLOCK
				X.X±0.3	PLUGGABLE SOCKET,CLOSE,RIGHT ANGLE
				X*±1*	scale
		dr	HANKE FENG	040414	FCI
		enr	HANKE FENG	040414	dwg no
		chr	SHI JUN	040414	OQxx01x100J0G
		appd	SHI JUN	040414	sheet 1 of 1
					size
					A4
sheet index	revision sheet	A	1		type
					CUSTOMER Drawing