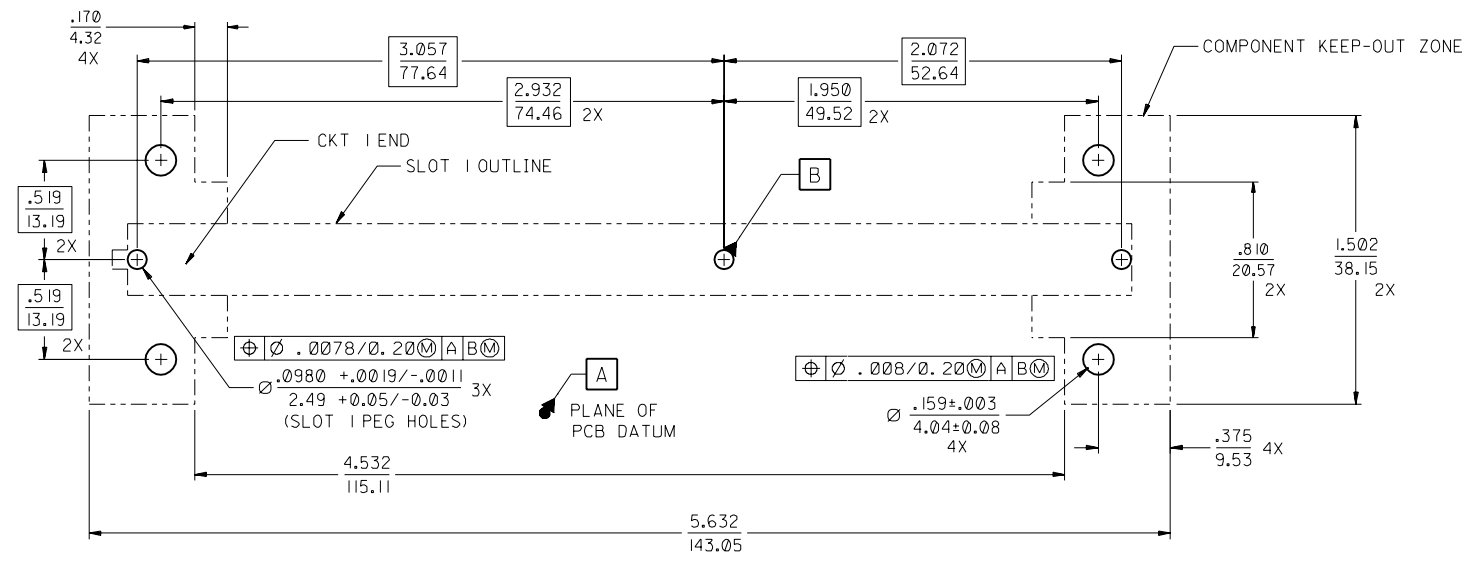
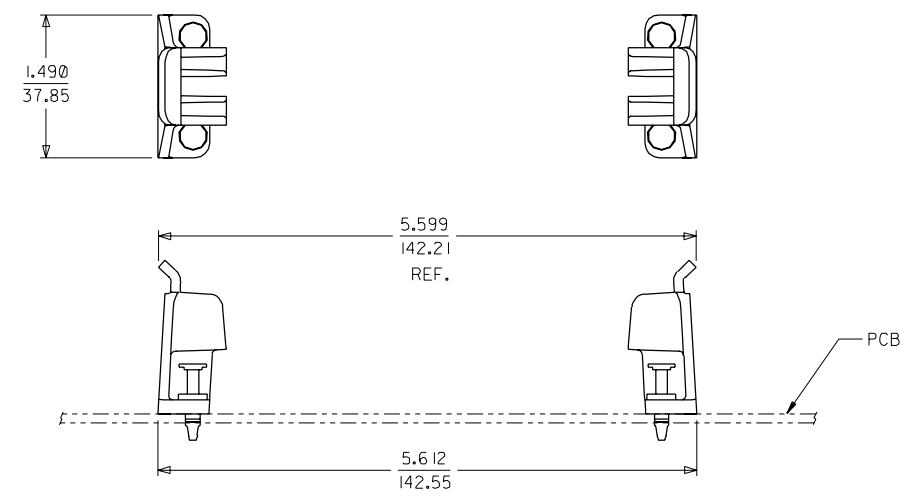
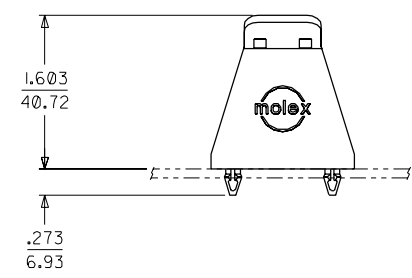
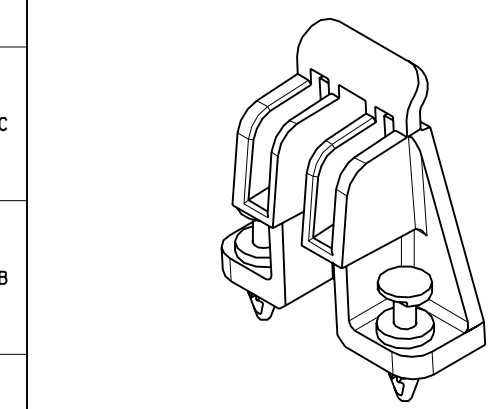


- NOTES:
1. MATERIAL: THERMOPLASTIC
COLOR: BLACK
 2. FINISH: NONE
 3. PRODUCT SPECIFICATION: NONE
 4. THIS HARDWARE PACKAGE IS FOR USE WITH MOLEX SLOT 1 CONNECTOR.

MATERIAL NUMBER	PACKAGING STYLE
73964-0001	TRAY PACK
73964-0002	INDIVIDUAL BAG (2 PCS)



RECOMMENDED PCB LAYOUT
(CONNECTOR SIDE)
(SCALE 2:1)



INITIAL RELEASE EC NO. UCP 1998-0003 DRWN: LAURX 98/02/27 CHK: LAURX 98/02/27 APPR: REGNIER 98/03/05	QUALITY SYMBOLS MAJOR = CRITICAL =	GENERAL TOLERANCES: (UNLESS SPECIFIED)		SCALE 1:1	DESIGN UNITS <input type="checkbox"/> mm <input checked="" type="checkbox"/> INCH	DIMENSIONS: <input type="checkbox"/> mm <input checked="" type="checkbox"/> INCH <input type="checkbox"/> mm ONLY	SHT REV REVISE ON CAD ONLY		
		DRAWN BY & DATE LAURX 98/02/27		CHECKED BY & DATE LAURX 98/02/27		TITLE: SLOT 1 - LOW COST RM WITH PLASTIC FASTENERS SALES DRAWING			
		APPROVED BY & DATE REGNIER 98/03/05		CAD FILENAME S7396401.DGN			MATERIAL NO. SEE CHART		DRAWING NO. SD-73964-002
		DRAFT WHERE APPLICABLE MUST REMAIN WITHIN DIMENSIONS		THIS DRAWING CONTAINS INFORMATION THAT IS PROPRIETARY TO MOLEX INCORPORATED AND SHOULD NOT BE USED WITHOUT WRITTEN PERMISSION.					