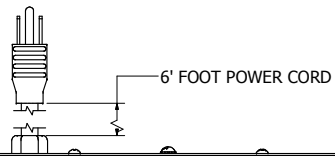
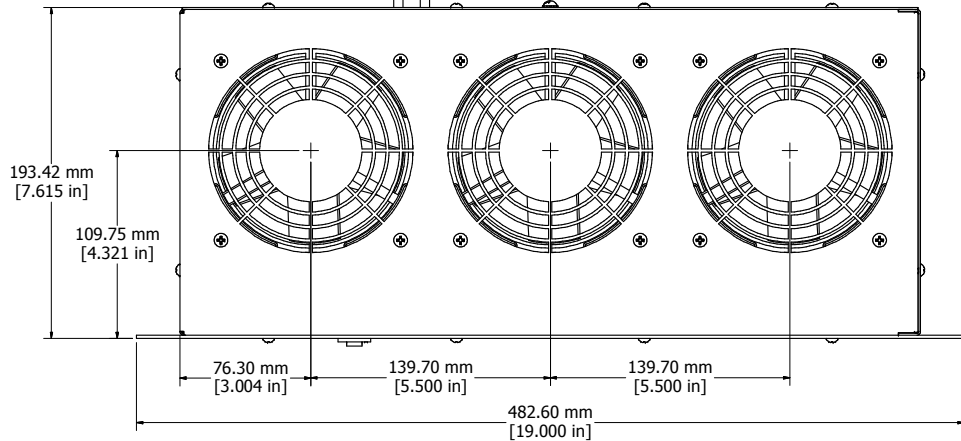


125V POWER CORD  
(NEMA 5-15P PLUG)

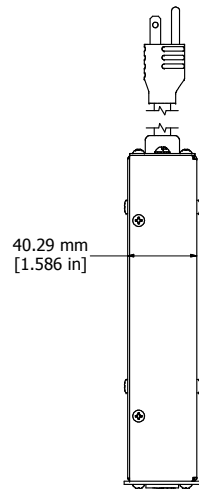
ASSEMBLY - VIEW FROM BACK



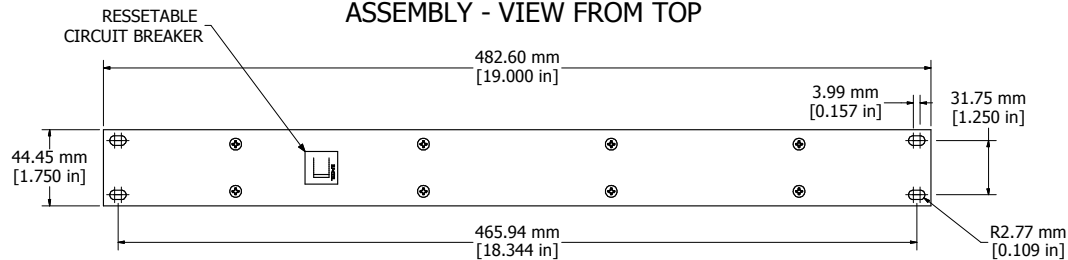
6' FOOT POWER CORD



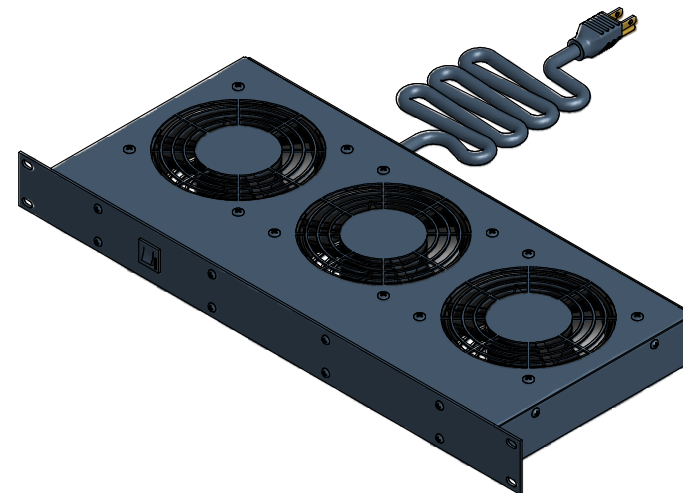
ASSEMBLY - VIEW FROM TOP



ASSEMBLY - VIEW FROM SIDE



ASSEMBLY - VIEW FROM FRONT



ISOMETRIC VIEW

<b>FT300TA1BK</b>
Finish - Black Textured Powder Paint
Rated - 115 VAC, 60 Hz, 3 Amps
Free Flow Air Delivery - 300 CFM
Approvals - cURus Recognized UL507 and CSA C22.2 No.113



**HAMMOND  
MANUFACTURING™**

**FT300TA1BK**

[www.hammondmfg.com](http://www.hammondmfg.com)