

AP 2-TU

Order No.: 5022630



<http://eshop.phoenixcontact.de/phoenix/treeViewClick.do?UID=5022630>

Cover profile carrier for mounting on NS 32 or NS 35/7,5 DIN rail for
attaching the cover profile AP 2.2 mm thick

Commercial data

EAN	4017918095239
Pack	50 pcs.
Customs tariff	39169010
Weight/Piece	0.005823 KG
Catalog page information	Page 703 (CL-2009)

Product notes

WEEE/RoHS-compliant since:
01/01/2003



<http://www.download.phoenixcontact.com>
Please note that the data given here has been taken from the online catalog. For comprehensive information and data, please refer to the user documentation. The General Terms and Conditions of Use apply to Internet downloads.

Technical data

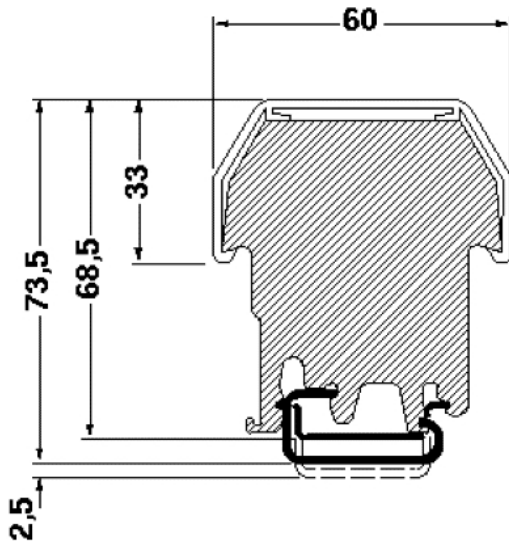
General

Length (b)	55.6 mm
Height	68.5 mm

Width (a)	2.1 mm
Color	gray
Inflammability class acc. to UL 94	V2
Material	PA

Diagrams/Drawings

Dimensioned drawing



Address

PHOENIX CONTACT Inc., USA
586 Fulling Mill Road
Middletown, PA 17057, USA
Phone (800) 888-7388
Fax (717) 944-1625
<http://www.phoenixcon.com>



© 2010 Phoenix Contact
Technical modifications reserved;