

10

9

8

7

6

5

4

3

1

F

E

D

C

B

A

F

E

D

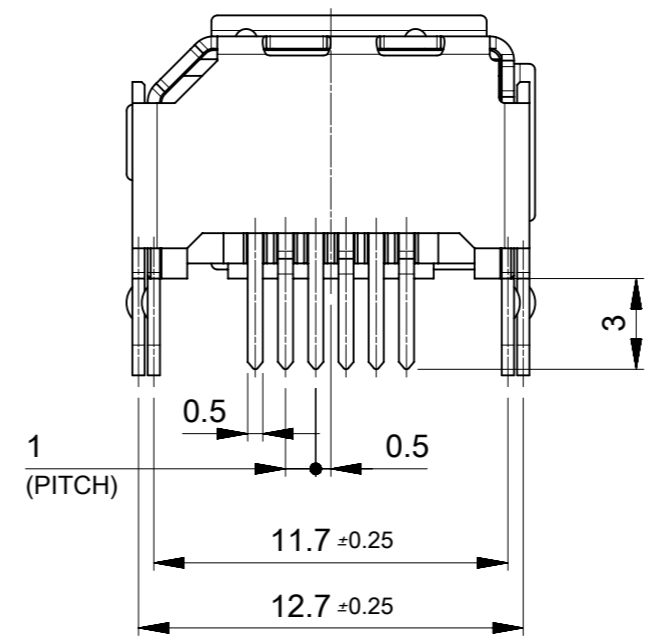
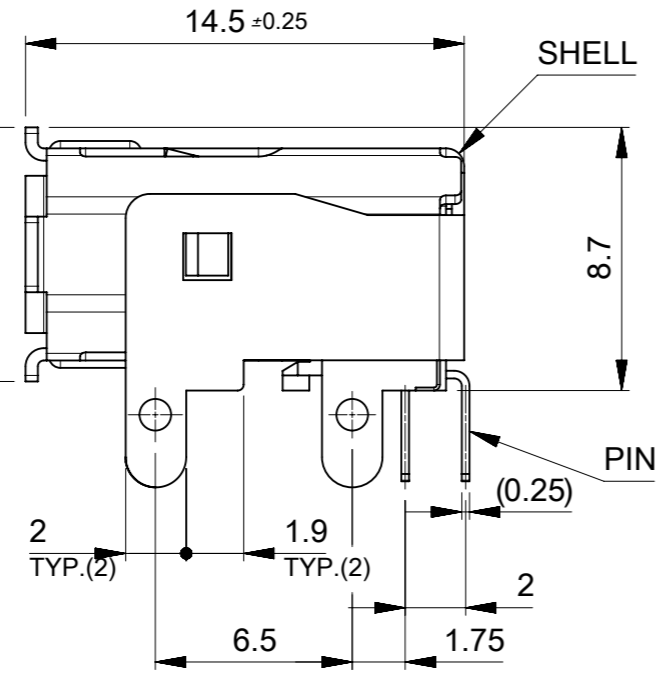
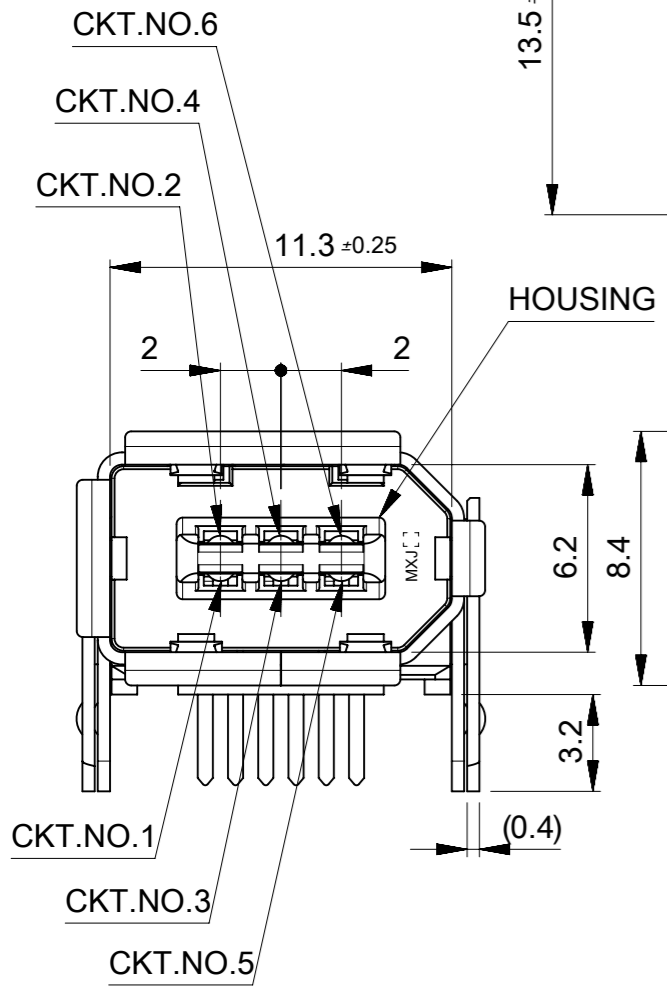
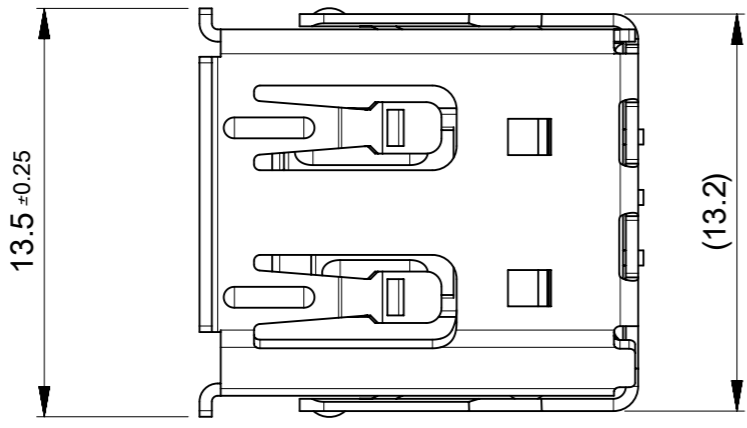
C

B

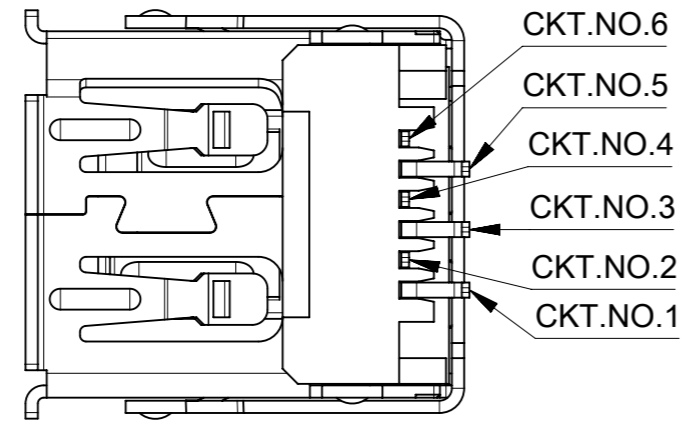
A

部品名 WAFER	材質 MATERIAL	記事 ARTICLE
ハウジング HOUSING	ガラス入り耐熱樹脂 G.F.HEAT RESISTANT PLASTIC	UL94V-0, 色:黒 UL94V-0, COLOR:BLACK
ピン PIN	黄銅 t0.25 BRASS t0.25	接点部:金メッキ0.76μm MIN. CONTACT AREA:GOLD 0.76μm MIN. 半田付け部:錫メッキ1.0μm MIN. SOLDERTAIL AREA:TIN 1.0μm MIN. 下地メッキ:ニッケルメッキ 2.0μm MIN. UNDER-PLATING:NICKEL 2.0μm MIN.
シェル SHELL	りん青銅 t0.4 PHOSPHOR BRONZE t0.4	錫メッキ:1.0μm MIN.* TIN:1.0μm MIN. 下地メッキ:ニッケルメッキ 1.27μm MIN.* UNDER-PLATING:NICKEL 1.27μm MIN.

※半田付け部のみ。  
ONLY SOLDERING PART.



注記:  
NOTES:  
1. 本製品は53984-0671のリフローディップ対応品である。  
THIS PRODUCT IS REFLOW DIP VERSION OF 53984-0671.



6	53984-0681	53984-**81
CKT	MATERIAL NO.	MODEL NO.

SYMBOLS	THIS DRAWING CONTAINS INFORMATION THAT IS PROPRIETARY TO MOLEX ELECTRONIC TECHNOLOGIES, LLC AND SHOULD NOT BE USED WITHOUT WRITTEN PERMISSION		CURRENT REV DESC:			<b>molex</b>		
	▽ = 0	mm						
▽ = 0	GENERAL TOLERANCES (UNLESS SPECIFIED)		EC NO: 173162			2.0 I/O SOCKET RIGHT ANGLE -LEAD FREE-		
▽ = 0	ANGULAR TOL	± 3.0°	DRWN: RYANAIDANI 2018/03/07			PRODUCT CUSTOMER DRAWING		
▽ = 0	4 PLACES	± 0.2	CHK'D: ASHIMOTSU 2018/03/07			DOCUMENT NUMBER		
▽ = 0	3 PLACES	± 0.2	APPR: RTAKEUCHI 2018/03/07			DOC TYPE		
▽ = 0	2 PLACES	± 0.2	INITIAL REVISION:			DOC PART		
▽ = 0	1 PLACE	± 0.2	DRWN: KTAKEUCHI01 2017/12/19			REVISION		
▽ = 0	0 PLACES	± 0.2	APPR: RTAKEUCHI 2018/03/07			539840681		
■ = 0	DRAFT WHERE APPLICABLE MUST REMAIN WITHIN DIMENSIONS		THIRD ANGLE PROJECTION	DRAWING	SERIES	MATERIAL NUMBER	CUSTOMER	SHEET NUMBER
▽ = 0				A3-SIZE	53984			1 OF 2

10

9

8

7

6

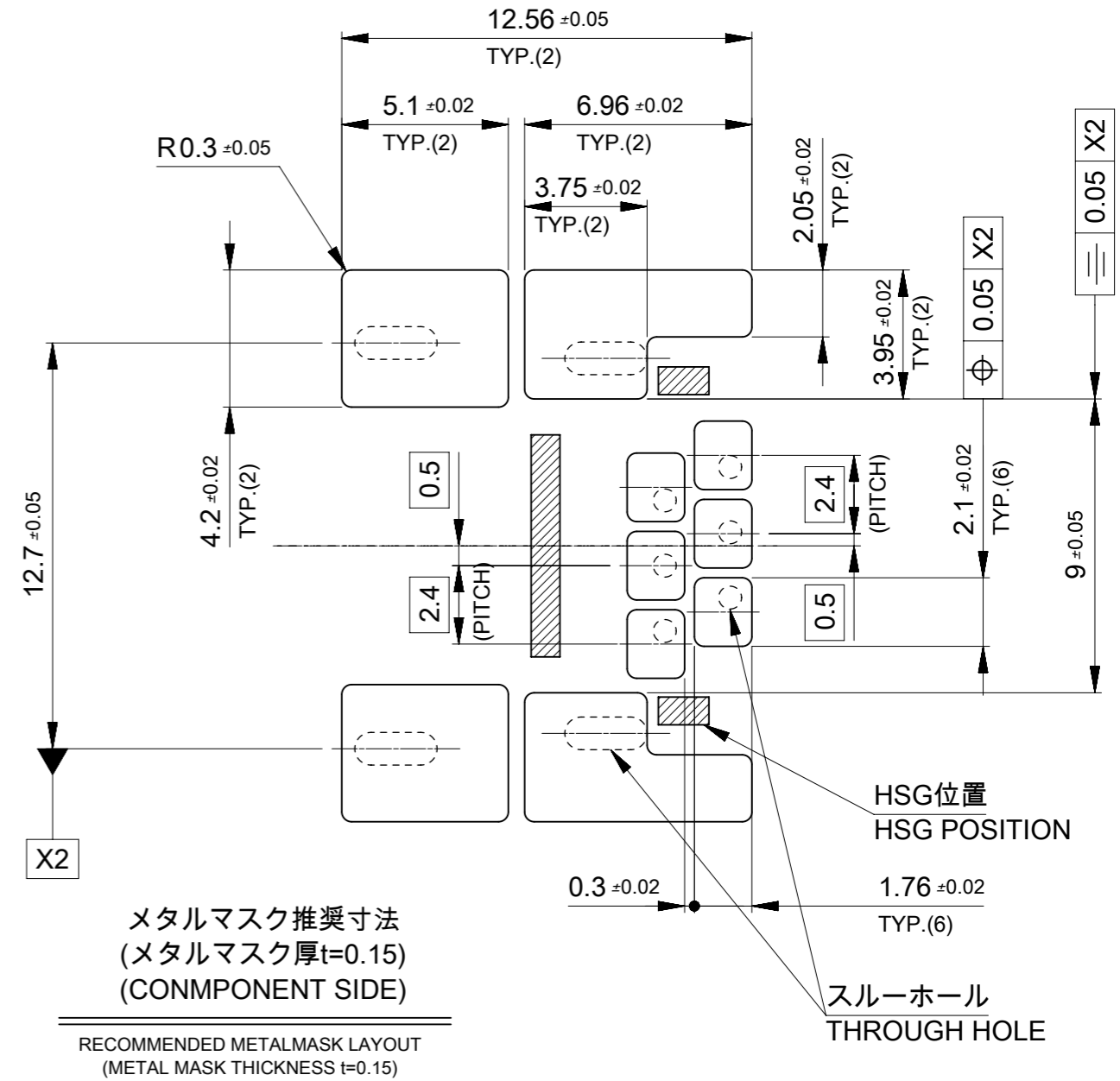
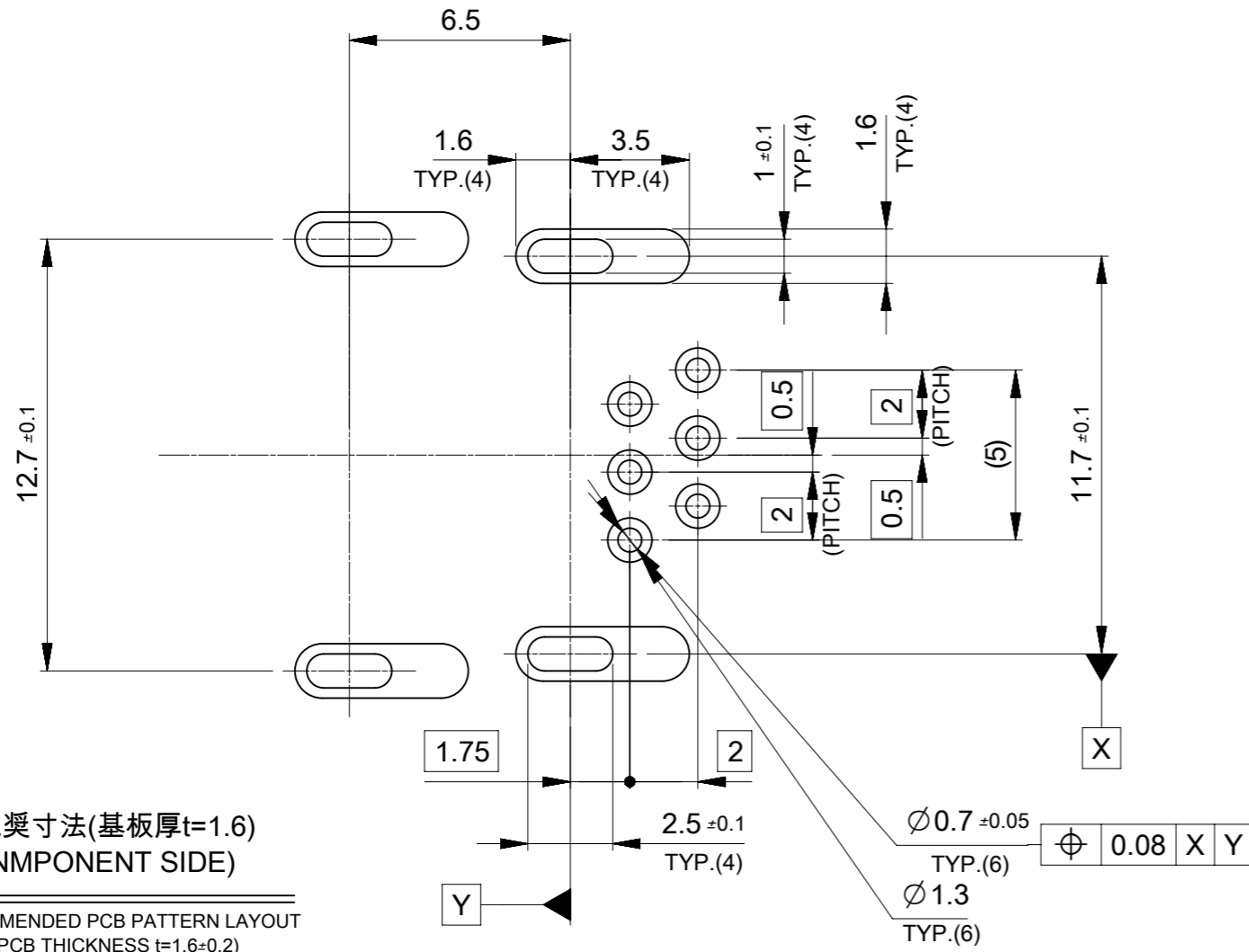
5

4

3

2

1



SYMBOLS	THIS DRAWING CONTAINS INFORMATION THAT IS PROPRIETARY TO MOLEX ELECTRONIC TECHNOLOGIES, LLC AND SHOULD NOT BE USED WITHOUT WRITTEN PERMISSION	
DIMENSION UNITS	SCALE	CURRENT REV DESC:
$\nabla = 0$	mm	5:1
$\nabla = 0$	GENERAL TOLERANCES (UNLESS SPECIFIED)	
$\nabla = 0$	ANGULAR TOL $\pm 3.0^\circ$	
$\nabla = 0$	4 PLACES	$\pm 0.2$
$\nabla = 0$	3 PLACES	$\pm 0.2$
$\nabla = 0$	2 PLACES	$\pm 0.2$
$\nabla = 0$	1 PLACE	$\pm 0.2$
$\nabla = 0$	0 PLACES	$\pm 0.2$
$\square = 0$	DRAFT WHERE APPLICABLE MUST REMAIN WITHIN DIMENSIONS	
$\nabla = 0$	THIRD ANGLE PROJECTION	DRAWING
		A3-SIZE
	SERIES	53984
	MATERIAL NUMBER	CUSTOMER
	SHEET NUMBER	2 OF 2

EC NO: 173162		2018/03/07	
DRWN: RYANAIDANI		2018/03/07	
CHK'D: ASHIMOTSU		2018/03/07	
APPR: RTAKEUCHI		2018/03/07	
INITIAL REVISION:			
DRWN: KTAKEUCHI01		2017/12/19	
APPR: RTAKEUCHI		2018/03/07	

<b>molex</b>		2.0 I/O SOCKET RIGHT ANGLE -LEAD FREE-	
		PRODUCT CUSTOMER DRAWING	
DOCUMENT NUMBER	DOC TYPE	DOC PART	REVISION
539840681	PSD	000	A