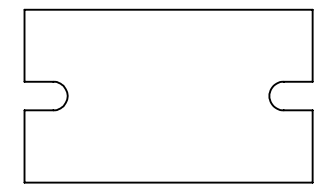
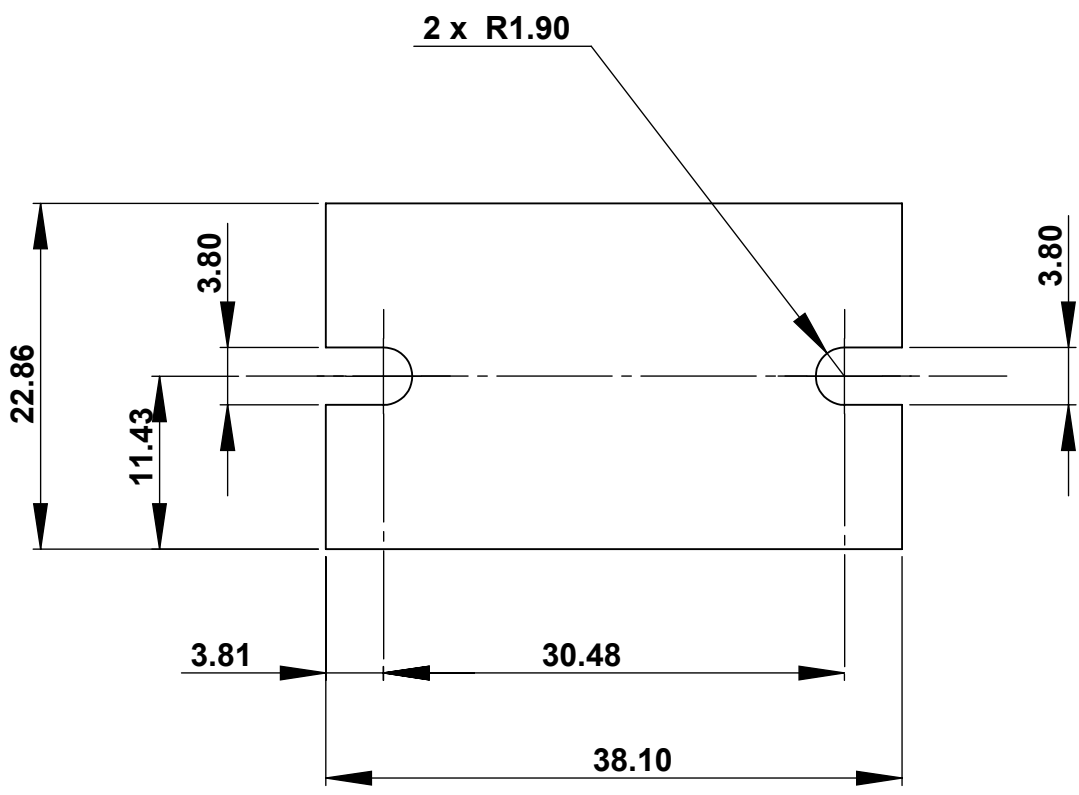


1 2 3 4 5 6



REFERENCE VIEW
Sale: Full Size

B
C
D

UNLESS OTHERWISE SPECIFIED:
DIMENSIONS ARE IN Millimetres
SURFACE FINISH:
TOLERANCES:
LINEAR:
ANGULAR:

	NAME	DATE
DRAWN	L. Simpson	19 th February 2012
CHK'D		
APPV'D		
MFG		
Q.A		

**DEBUR AND
BREAK SHARP
EDGES**

MATERIAL:
**T-Global Phase
Change Material**

FINISH:

WEIGHT:

DC0022/02-Material Ref.-Thickness(mm.)

Ordering No. DC0022/02-PC99-0.06

TITLE:
**T-Global
Technology**



DWG NO.
DC0022/02-PC99-0.06

A4