

CABLE ATTACHMENTS :

INNER CONTACT ATTACHMENT--- SOLDER/CRIMP (HEX 1.69)
 OUTER CONDUCTOR--- CRIMP (HEX 5.41)
 ASSEMBLY INSTRUCTION--- AS-73597-0032

CONSTRUCTIONS :

COUPLING NUT---ZINC ALLOY
 CONNECTOR BODY---BRASS
 DIELECTRIC---POLYPROPYLENE
 OUTER CONTACT---BRASS
 CENTER CONTACT---BRASS
 SPRING WASHER---BERYLLIUM COPPER
 RETAINING RING---BRASS
 WASHER---BRASS
 GASKET---SILICONE RUBBER

FINISHES :

COUPLING NUT--- PLATED NICKEL
 CONNECTOR BODY---PLATED NICKEL
 OUTER CONTACT---PLATED NICKEL
 CENTER CONTACT---PLATED GOLD
 SPRING WASHER---PLATED NICKEL
 RETAINING RING---PLATED NICKEL
 WASHER---PLATED NICKEL

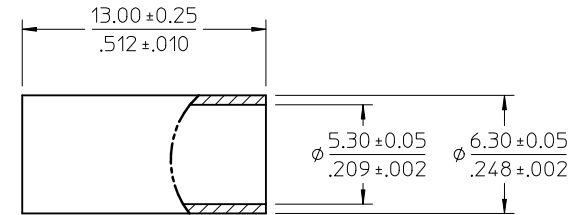
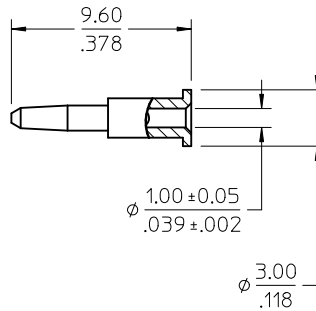
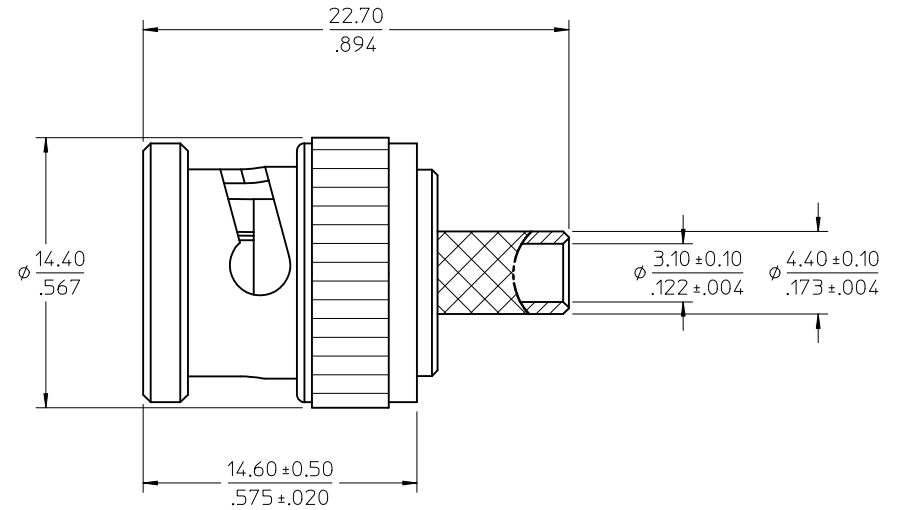
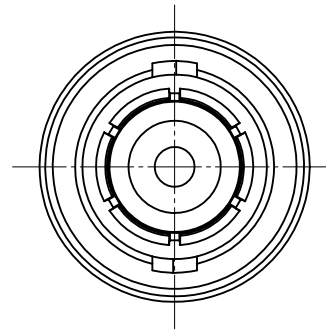
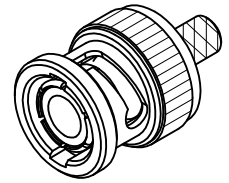
MECHANICAL & ELECTRICAL CHARACTERISTICS :
 PER PRODUCT SPECIFICATION PS-73598-0024

MATERIALS & FINISHES :
 PER PRODUCT SPECIFICATION PS-73598-0024

PACKAGINGS :
 INDIVIDUAL PLASTIC BAG

P/N: 73104-5003 BULK PACK

P/N: 73171-3120 SINGLE ASSEMBLY 73104-5003 PER BAG



CHG: REVISE & REDRAWN	EC NO. URF:2011-0025	2010/07/13
	DRWNR:YEH	2010/07/13
	CHKD:	
	APPR:MHUANG	2010/08/03
REV	DESCRIPTION	

QUALITY SYMBOLS	▽=0
	▽=0

GENERAL TOLERANCES (UNLESS SPECIFIED)	mm	INCH
	4 PLACES ± ---	± ---
	3 PLACES ± ---	± ---
	2 PLACES ± ---	± ---
	1 PLACE ± ---	± ---
ANGULAR ± ---°		
DRAFT WHERE APPLICABLE MUST REMAIN WITHIN DIMENSIONS		

DIMENSION STYLE		MM/IN
DRAWN BY	DATE	
IRIS WANG	1991/01/18	
CHECKED BY	DATE	
APPROVED BY	DATE	
MHUANG	2010/07/22	
MATERIAL NO.	731045003	

SCALE	2.5:1	DESIGN UNITS	METRIC	THIRD ANGLE PROJECTION
TITLE				
BNC PLUG STRAIGHT RG58/141, CRIMP/CRIMP BNC-PC				
APPROVED BY			MOLEX INCORPORATED	
MATERIAL NO.			DOCUMENT NO.	SHEET NO.
731045003			SD-73104-5003	1 OF 1
THIS DRAWING CONTAINS INFORMATION THAT IS PROPRIETARY TO MOLEX INCORPORATED AND SHOULD NOT BE USED WITHOUT WRITTEN PERMISSION				