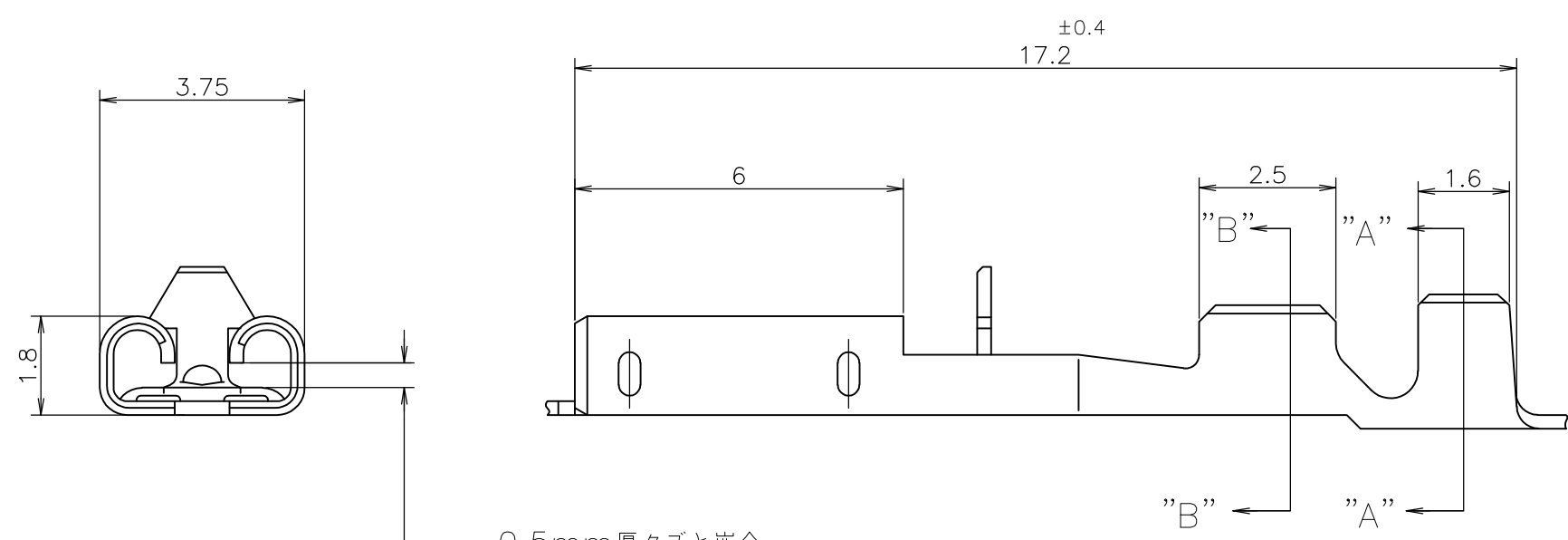
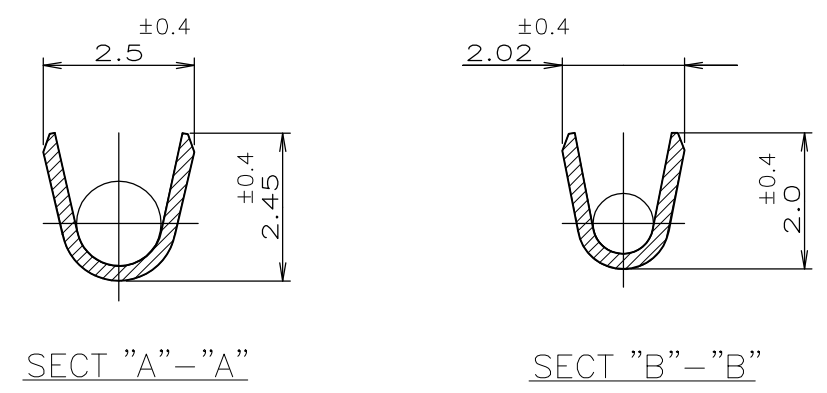
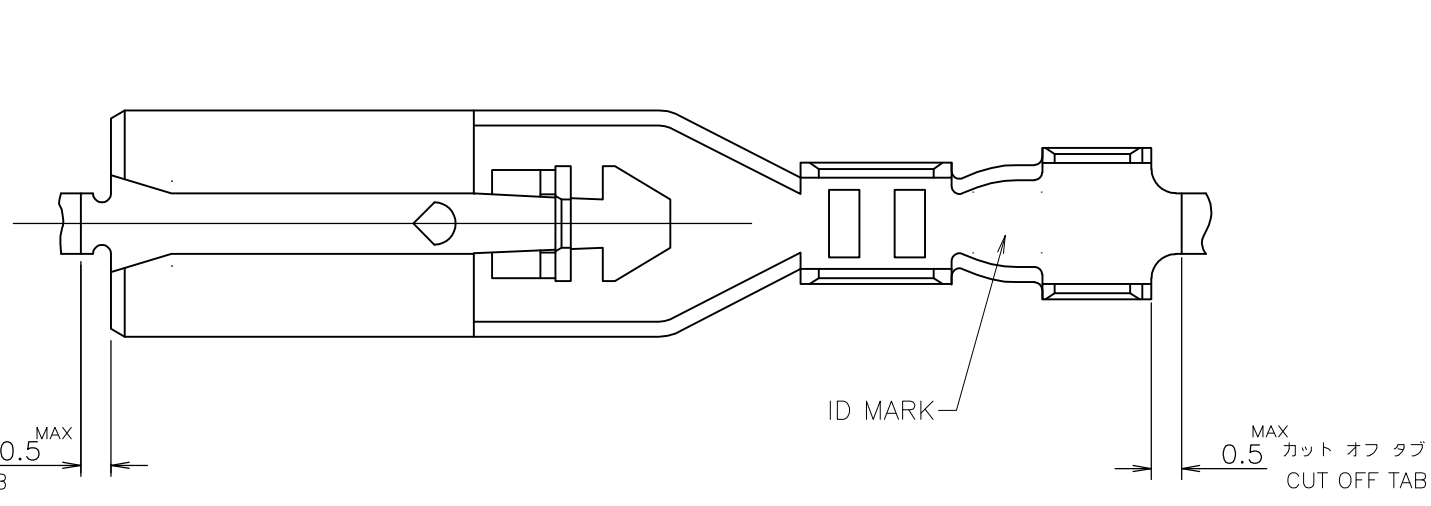


THIS DRAWING IS UNPUBLISHED. RELEASED FOR PUBLICATION
 © COPYRIGHT - By - ALL RIGHTS RESERVED.

LOC	DIST	REVISIONS 変更			
P	LTR	DESCRIPTION	DATE	DWN	APVD
J	—	F3	REVISED PER ECO-11-005030	11MAR11	RK HMR
		F4	REVISED PER ECO-13-003391	25FEB13	B.P YH.M
		F5	ECR-14-004105	27MAR14	D.L T.D



0.5mm厚タブと嵌合
 MATE WITH 0.5mm THK. TAB

- NOTES
- HOUSING P/N : 174779-1
 - APPLICATER P/N: 909101-2
 - LOOSE PIECE P/N: SEE TABLE
 - △ OBSOLETE PARTS: OBSOLETE CIS STREAMLINING PER D.RENAUD/D.SINISI

パラ状・型番 LOOSE PIECE P/N	材料 MATERIAL	型番 P/N
— // —	BRASS, GOLD PLATING	175411-7
— // —	めっきなし・黄銅 PLAIN BRASS	175411-5
OBSOLETE 175412-2	錫めっき済黄銅 PRE-TIN PHOS BRO	△ 175411-2
175412-1	錫めっき済黄銅 PRE-TIN BRASS	175411-1

WIRE RANGE 総合電線断面積	AWG #24~#20	INSULATION DIA 被覆外径	φ1.02~φ1.78
-----------------------	-------------	------------------------	-------------

THIS DRAWING IS A CONTROLLED DOCUMENT.		DWN D.L	27MAR2014	TE Connectivity 110SERIES POSITIVE LOCK REC. CONTACT												
DIMENSIONS: 単位: 耗 mm		CHK T.D	27MAR2014			NAME 名称										
TOLERANCES UNLESS OTHERWISE SPECIFIED: 一般公差		APVD YH.M	27MAR2014			PRODUCT SPEC 製品規格 108-5252										
<table border="1"> <tr><td>0 PLC</td><td>± 0.2</td></tr> <tr><td>1 PLC</td><td>± 0.25</td></tr> <tr><td>2 PLC</td><td>± 0.3</td></tr> <tr><td>3 PLC</td><td>± 0.3</td></tr> <tr><td>4 PLC</td><td>±</td></tr> <tr><td>ANGLES</td><td>± 3DEG</td></tr> </table>		0 PLC	± 0.2			1 PLC	± 0.25	2 PLC	± 0.3	3 PLC	± 0.3	4 PLC	±	ANGLES	± 3DEG	APPLICATION SPEC 取付適用規格 114-5120
0 PLC	± 0.2															
1 PLC	± 0.25															
2 PLC	± 0.3															
3 PLC	± 0.3															
4 PLC	±															
ANGLES	± 3DEG															
MATERIAL 材料 SHEE TABLE	FINISH 仕上 SHEE TABLE	DRAWING NO 番号 C-175411		RESTRICTED TO —												
CUSTOMER DRAWING				SCALE 尺度 8:1	SHEET 1 OF 1											
				REV F5												