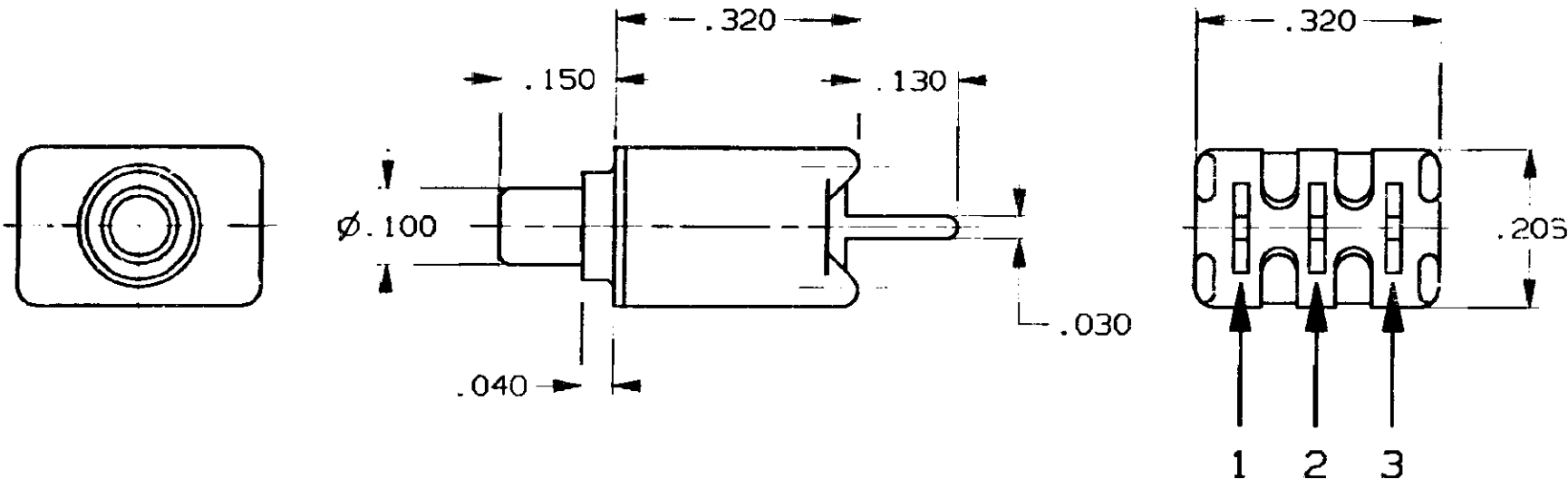
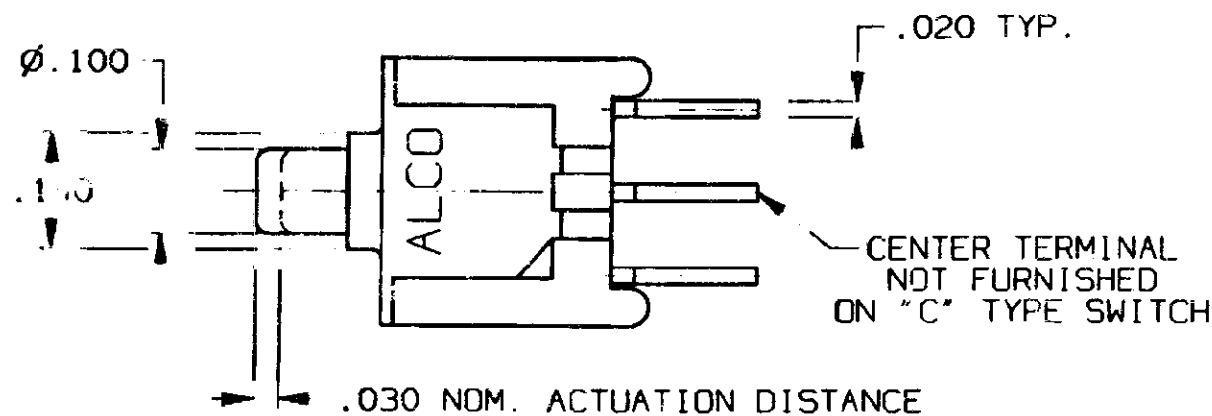


CONVERSION CHART	
INCH	MM
.002	0.05
.010	0.25
.020	0.50
.030	0.76
.040	1.01
.043	1.09
.100	2.54
.110	2.79
.130	3.30
.140	3.55
.150	3.81
.206	5.23
.320	8.12



SPECIFICATIONS:

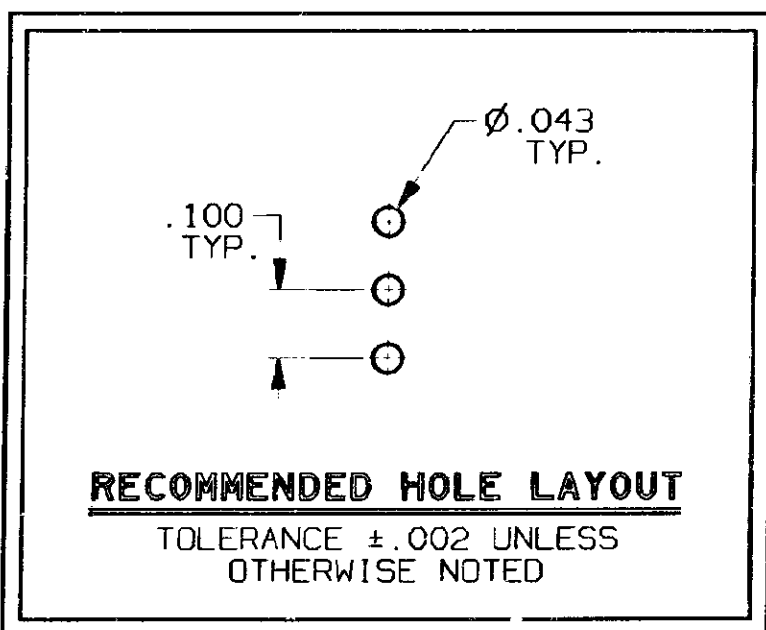
MATERIALS:
CASE: HIGH TEMPERATURE POLYESTER, UL94V-0.
ACTUATOR BUTTON: POLYAMIDE. (SEE OPTIONS CHART).
TERMINALS: COPPER ALLOY, TIN/LEAD PLATE.
TERMINAL SEAL: SP EPOXY.
MOVING CONTACT: COPPER ALLOY, GOLD PLATE.
FIXED CONTACTS: COPPER ALLOY, GOLD PLATE.

ELECTRICAL:
CONTACT RATING, GOLD: 0.4 VA MAX. @ 20VDC OR PEAK AC.
INITIAL CONTACT RESISTANCE: 20 MILLIOHMS MAX.
INSULATION RESISTANCE: 1,000 MEGOHMS @ 500 VDC MIN.
DIELECTRIC STRENGTH: 1000 VOLTS RMS @ SEA LEVEL.
LIFE EXPECTANCY: 60,000 CYCLES.

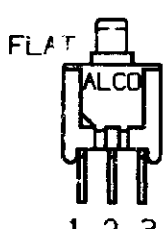
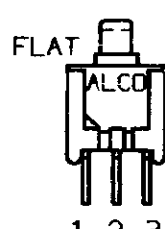
MECHANICAL:
ACTUATION FORCE: 50 TO 400 GRAMS.
ACTUATION TRAVEL: .030 IN. APPROX.

ENVIRONMENTAL:
OPERATING TEMPERATURE: -22°F TO +149°F (-30°C TO +65°C).
STORAGE TEMPERATURE: -22°F TO +149°F (-30°C TO +65°C).

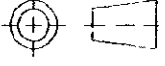

NOTES: UNLESS OTHERWISE SPECIFIED
1. INTERPRET DRAWING PER ANSI Y14.5M 1982.



OPTIONS	
[**]	BUTTON COLOR
[0]	BLACK
[2]	RED
[9]	WHITE

CIRCUIT CONNECTIONS		
SWITCH (*) MODEL NO.	FLAT  1 2 3	FLAT  1 2 3
TPA11(C)G-PC	OFF	3-1 (MOM)
TPA11(F)G-PC	2-1	2-3 (MOM)

NOTES:
TERMINALS CONNECTED WHEN BUTTON IS IN POSITIONS SHOWN.
TERMINAL DESIGNATION NUMBERS ARE FOR REFERENCE ONLY, AND DO NOT APPEAR ON SWITCHES.

CUSTOMER DRAWING			
SPECIFICATIONS ARE SUBJECT TO CHANGES WITHOUT NOTICE			
 THIRD ANGLE PROJECTION TOLERANCES (EXCEPT AS NOTED) ANGULAR = ±1° DECIMAL .XXX = ±.010	UNLESS OTHERWISE SPECIFIED DIMENSIONS ARE IN MILLIMETERS. DO NOT SCALE PRINT MATERIAL: SEE SPECIFICATIONS FINISH: SEE SPECIFICATIONS	ORIGINAL DATE OF DRAWING: 9-23-96	 TYCO Electronics
		DRAWN: C. THEODORE CHECKED: APPROVED:	
TYCO CONFIDENTIAL This document contains information which is the exclusive property of TYCO ELECTRONICS. Distribution, reproduction or use by others is not permitted without the expressed written consent of Augat Inc.		CODE IDENT. NO. 9150E DWG. SIZE C	TITLE: CUSTOMER DRAWING PUSHBUTTON SWITCH, (TPA11(*)G-PC[**]) DWG. NO. 2-1437571-5 PRODUCT CODE: SCALE: SHEET 1 OF 1

AUGAT D/N 40102

THIS IS A C.A.D. GENERATED DRAWING. DO NOT MAKE MANUAL REVISIONS TO MASTER.

REV	REVISIONS
A	OG3C-0173-02