

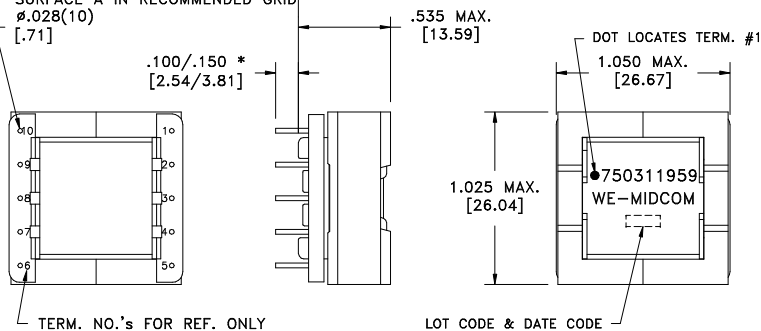
CUSTOMER TERMINAL	RoHS	LEAD(Pb)-FREE
Sn96%, Ag4%	Yes	Yes

more than you expect



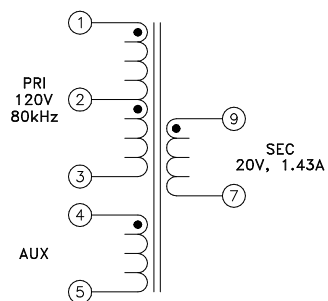
PART MUST INSERT FULLY TO SURFACE A IN RECOMMENDED GRID

* DIMENSION MAY BE EXCEEDED WITH SOLDER ONLY



ELECTRICAL SPECIFICATIONS @ 25°C unless otherwise noted:

PARAMETER	TEST CONDITIONS	VALUE
D.C. RESISTANCE	1-3 @20°C	0.55 ohms ±10%
D.C. RESISTANCE	4-5 @20°C	0.43 ohms ±10%
D.C. RESISTANCE	7-9 @20°C	0.060 ohms max.
INDUCTANCE	1-3 10kHz, 100mVAC, Ls	540uH ±10%
SATURATION CURRENT	20% rolloff from initial	2.20A
LEAKAGE INDUCTANCE	1-3 tie(4+5, 7+9), 100kHz, 100mVAC, Ls	5.0uH typ., 10.0uH max.
DIELECTRIC	1-9 tie(3+4), 1875VAC, 1 second	1500VAC, 1 minute
DIELECTRIC	1-4 1250VAC, 1 second	1000VAC, 1 minute
TURNS RATIO	(1-3):(9-7)	5:1, ±1%
TURNS RATIO	(1-3):(4-5)	6:1, ±1%
TURNS RATIO	(1-2):(2-3)	1:1, ±1%



GENERAL SPECIFICATIONS:
Designed to comply with UL1310.

Wire insulation & RoHS status not affected by wire color.
Wire insulation color may vary depending on availability.

REV.	DATE	Packaging Specifications Method: Tray PKG-0819 www.we-online.com/midcom		Tolerances unless otherwise specified: Angles: ±1° Decimals: ±.005 [.13] Fractions: ±1/64 Footprint: ±.001 [.03]	DRAWING TITLE TRANSFORMER	PART NO. 750311959
6A	1/12	SEE REVISION SHEET FOR REVISION LEVEL	CONVENTION PLACEMENT	This drawing is dual dimensioned. Dimensions in brackets are in millimeters.	eiSos p/n: 750311959	compliant RoHS
						SPECIFICATION SHEET 1 OF 1