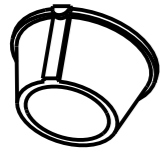
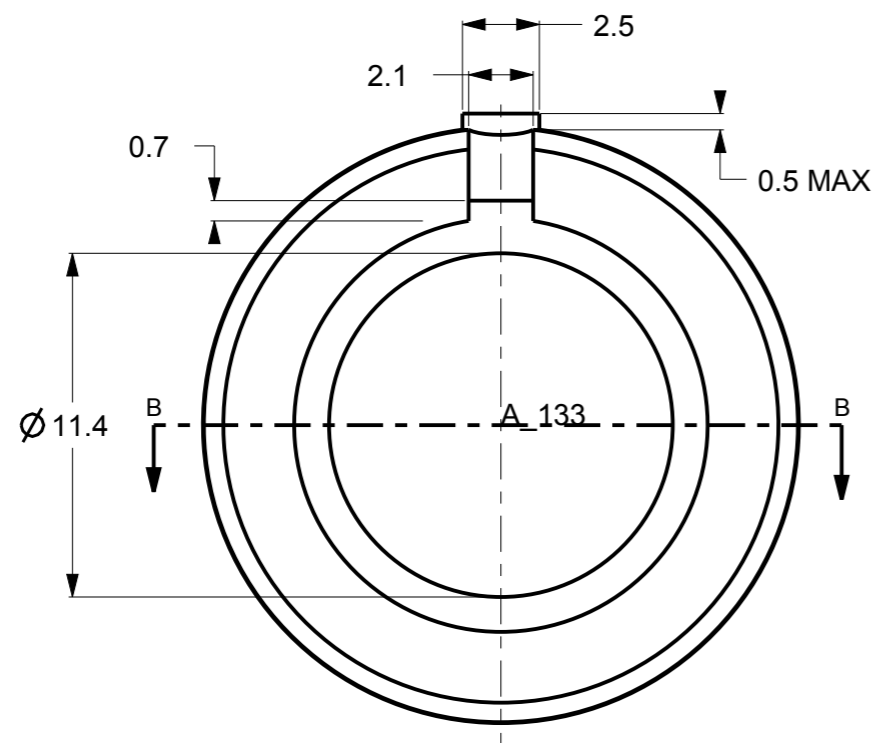
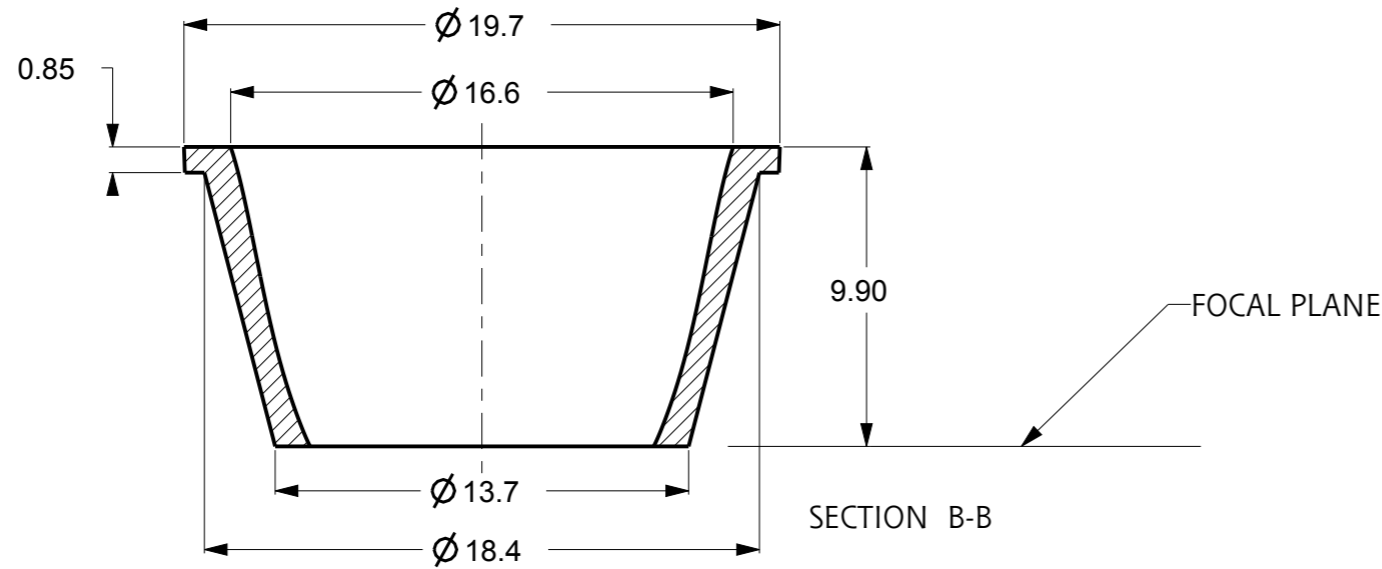


# CUSTOMER DRAWING SHEET 2 ONLY

REV.	DATE	D.C.N. NUMBER	DESCRIPTION	CHECKED BY DATE	APPROVED BY DATE
1	21/06/06		FIRST ISSUE	AB 22/06/06	AJD 26/06/06
2	29/04/10	04-10-1270	DRW DATA FILE NUMBER UPDATED	AB 05/05/10	MB 07/05/10
2A	17/11/11	11-11-1315	ADDED PART NUMBERS TABLE	PW 17/11/11	MB 22/11/11



GENERAL VIEW  
SCALE 1:1



PART NUMBER	SUBSTRATE	COATING
PP/ 10170/01	POLYCARBONATE	NONE
10170	POLYCARBONATE	ALUMINIUM
10255	POCAN	NONE

SCALE 4:1

Sheet 1 of 1

<p>technical plastics 103 BUCKINGHAM AVE, SLOUGH, BERKSHIRE, SL1 4PF, UK Tel: +44 1753 610800 Fax: +44 1753 811359 design@carclo-optics.com www.carclo-optics.com</p>	Title		80 DEG FWHM DIA 20mm REFLECTOR OPTIC			
	Customer		CARCLO			
THIRD ANGLE PROJECTION	GENERAL TOLERANCES UNLESS OTHERWISE STATED		Material	Scale	AS SPEC.	
	LINEAR	ANGULAR	SEE TABLE	DIMENSIONS IN mm		Format Size
	0 ± 0.25 0.0 ± 0.1 0.00 ± 0.05	0 ± 1° 0.0 ± 0.5° 0.00 ± 0.1°		CAD File	60426	
<small>CARCLO technical plastics CONFIDENTIAL: UNAUTHORISED COPYING, DISCUSSION &amp; DISTRIBUTION PROHIBITED</small>			Drw. N°	60426	Part N°	10170