

CY8CKIT-142 PSoC® 4 BLE MODULE

CY8CKIT-142 PSoC® 4 BLE Module is a certified, easy-to-use solution for creating complete BLE systems. It features a PSoC 4 BLE device, two crystals, a PCB antenna, and other passives and provides access to all GPIOs of the device.

Visit www.cypress.com/BLE for more information on Cypress’s BLE solutions.

PSoC 4 BLE is an ARM® Cortex®-M0 based single-chip solution that integrates programmable analog front ends and digital peripherals, the CapSense® technology for touch sensing, and a Bluetooth® Low Energy or Bluetooth Smart radio.

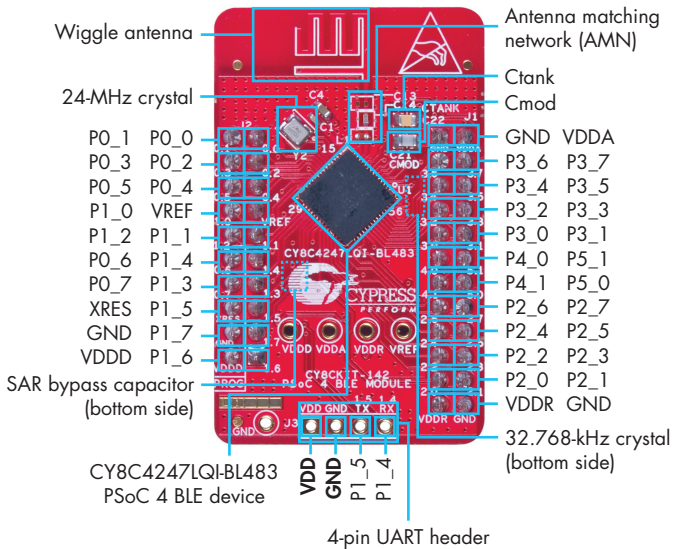


Fig-1: Pinout Description for PSoC 4 BLE Module

Note: To apply power to the module, use the VDD pin (1.9 V - 5.0 V) and GND pin.

CY8CKIT-142 PSoC® 4 BLE MODULE

STANDALONE USE WITH PSoC CREATOR™ IDE AND CY8CKIT-002 MINIPROG3



Pin Mapping	
CY8CKIT-002	CY8CKIT-142
VTARG	VDD
GND	GND
RES	XRES
SCLK	PO_7
SDAT	PO_6

Fig-2: Programming and Debugging with CY8CKIT-002

USING THE CY8CKIT-142 MODULE WITH CY8CKIT-042-BLE PIONEER KIT

Step 1: Plug the module on the CY8CKIT-042-BLE Pioneer Kit baseboard.

Step 2: Create your design in PSoC Creator IDE and use the BLE Pioneer Kit to program and debug.

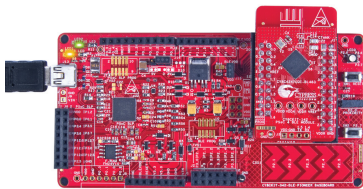


Fig-3: Programming and Debugging with CY8CKIT-042 BLE Pioneer Baseboard

CY8CKIT-142 is qualified for Bluetooth 4.1 specifications. The module, along with the CY8CKIT-042 BLE Pioneer Baseboard, has regulatory approval (for development purposes only) for the 2.4-GHz unlicensed frequency range in countries including USA (FCC), Canada (IC), Europe (CE), and Japan (JRF/TELEC).

Additional regulatory certification will be required to integrate the module into an end product. Contact support@cypress.com for details.

For more information about this kit, visit www.cypress.com/CY8CKIT-142

CY8CKIT-142

Manufactured by Cypress Semiconductor.



R 005-100919

Contains Model: CY8CKIT-142

FCC ID: WAP-CY8CKIT-142

IC: 7922A-CY8CKIT142

