

THIS DRAWING IS UNPUBLISHED. RELEASED FOR PUBLICATION
 © COPYRIGHT BY TYCO ELECTRONICS CORPORATION. ALL INTERNATIONAL RIGHTS RESERVED.

LOC	DIST	REVISIONS			
P	LTR	DESCRIPTION	DATE	DWN	APVD
AD	00	D1 REVISED PER ECO-10-005254	12MAR10	HMR	NE

D

C

B

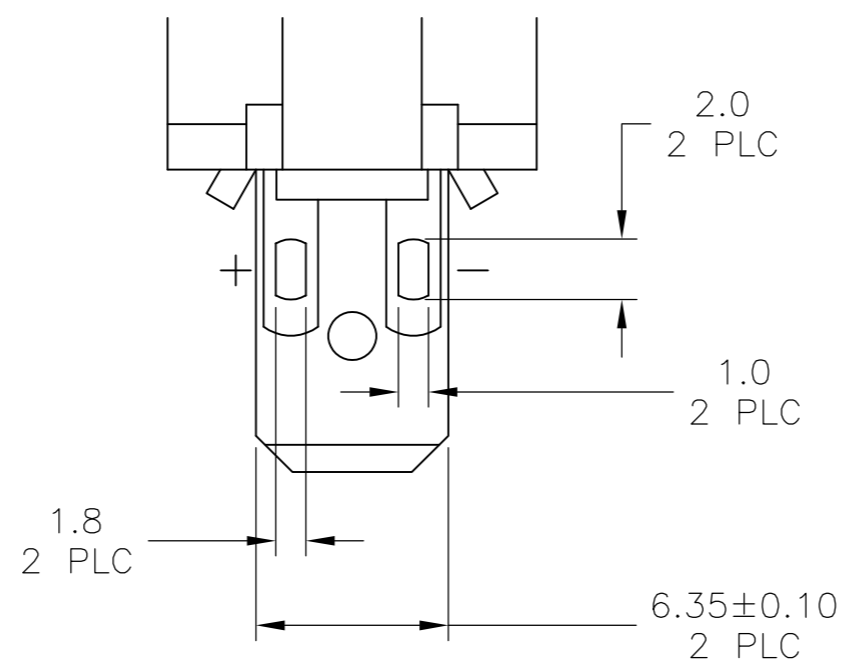
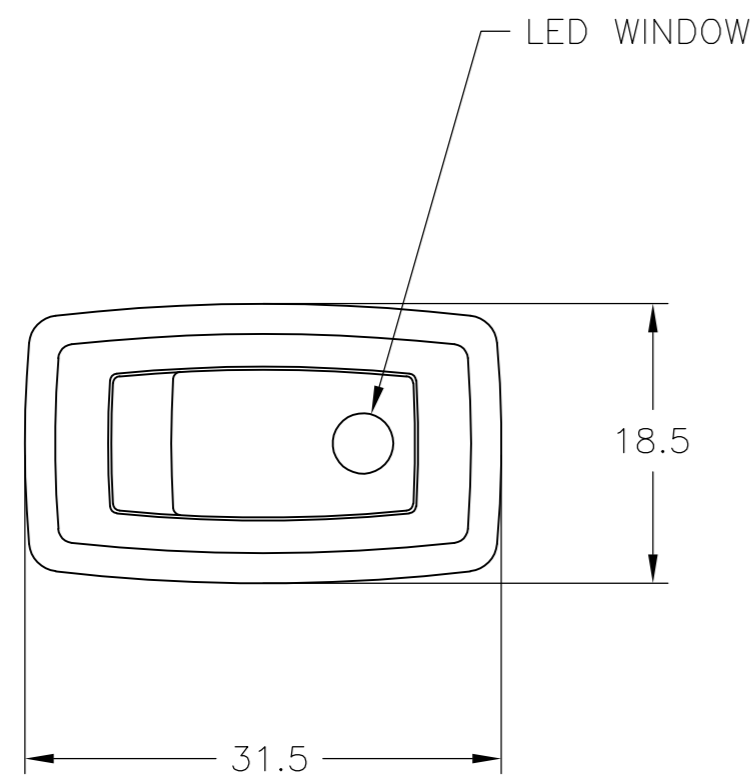
A

D

C

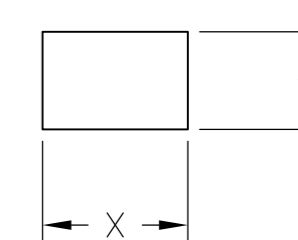
B

A

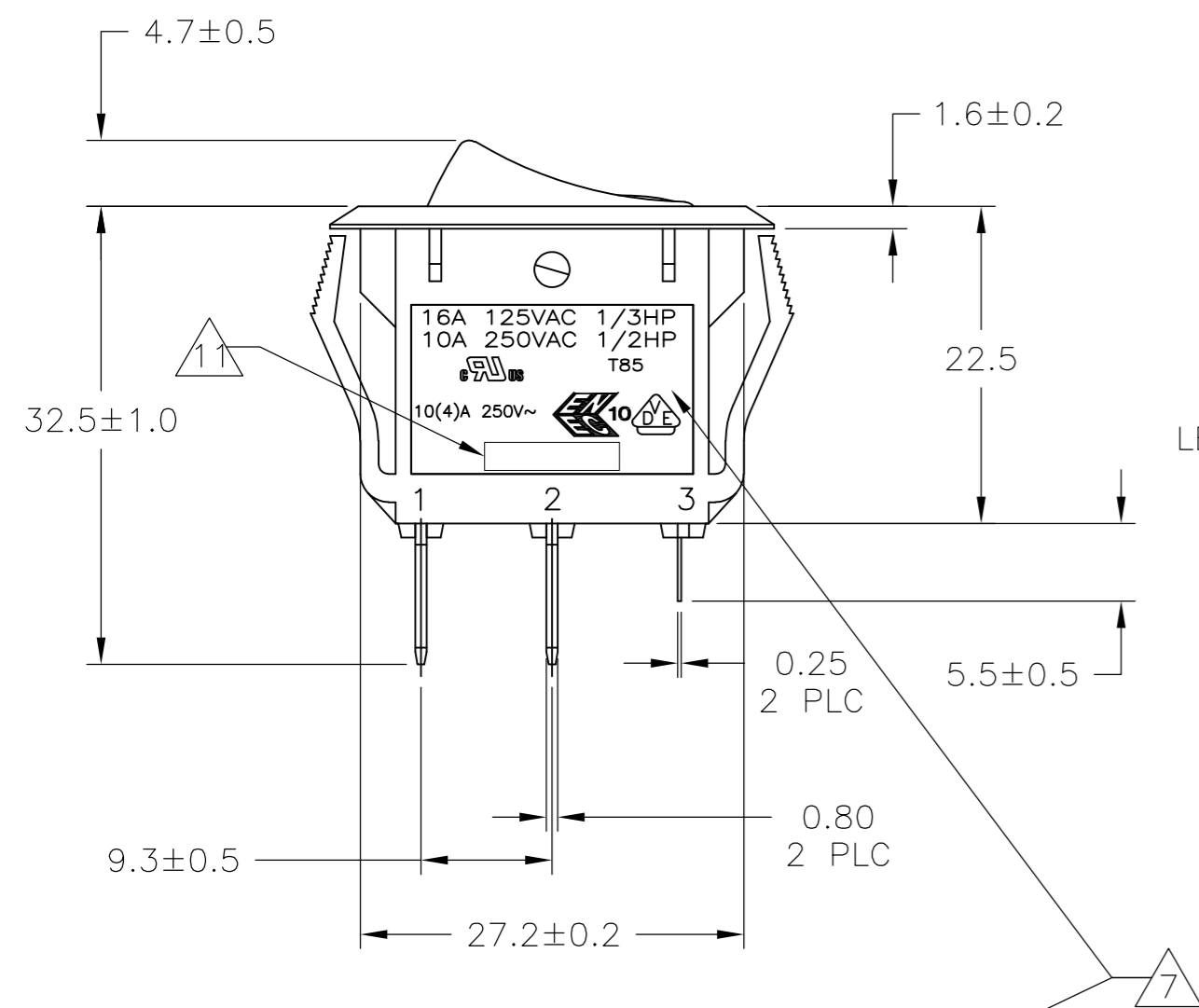


DETAIL A
SCALE 4:1

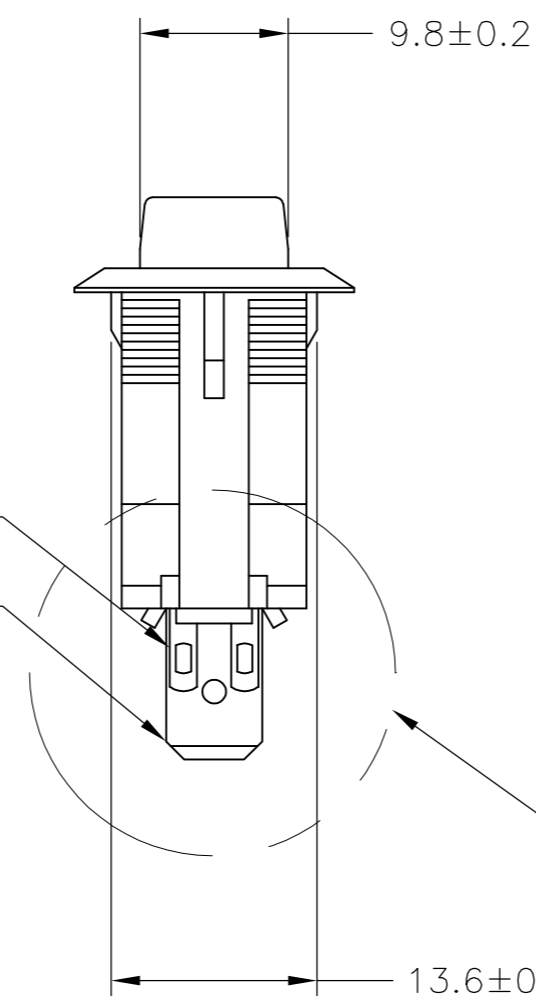
PANEL CUT OUT



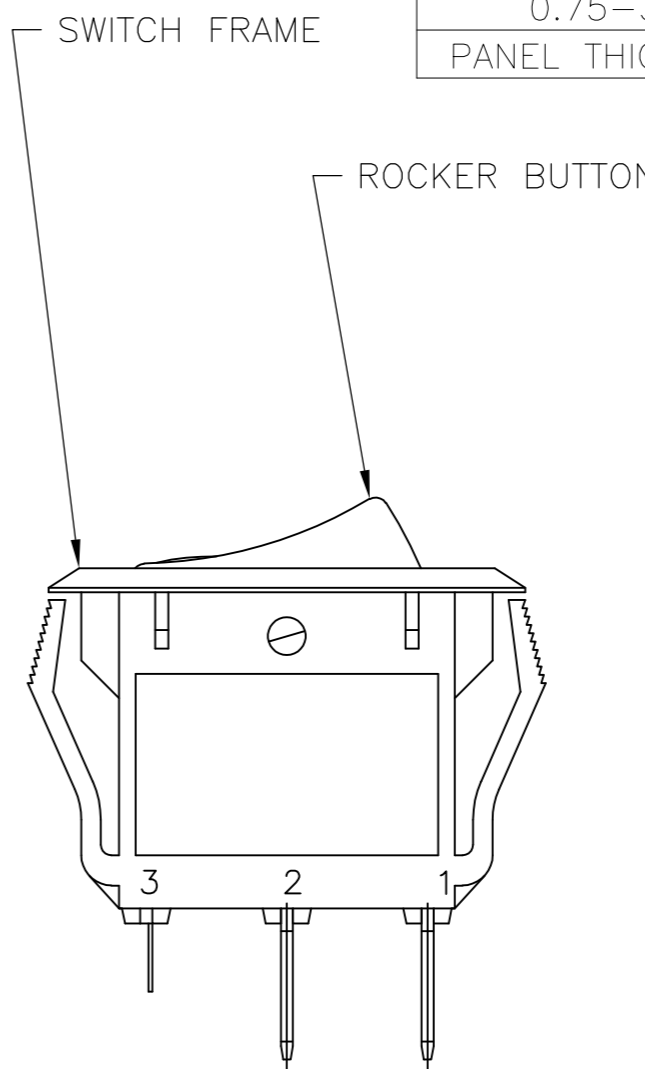
4.00-5.00	28.0-0.1	13.8+0.1
3.00-4.00	27.8-0.1	13.8+0.1
0.75-3.00	27.6-0.1	13.8+0.1
PANEL THICKNESS	X	Y



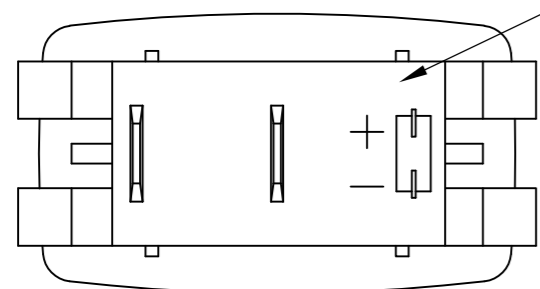
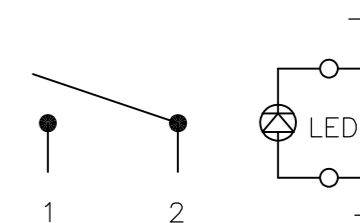
LED TERMINAL
QC TAB
TERMINAL



SEE DETAIL A



SWITCH FUNCTION C1
CIRCUIT DIAGRAM



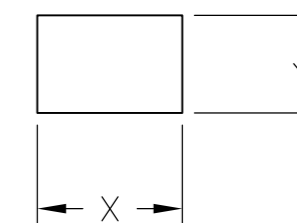
1571087-1 SHOWN

THIS DRAWING IS A CONTROLLED DOCUMENT.		DWN M.BINNER	25FEB2002	Tyco Electronics Corporation Harrisburg, PA 17105-3608	
DIMENSIONS: mm		CHK J.MOSIER	APVD -	NAME POWER ROCKER SWITCH, 13.8mm X 27.6mm PANEL CUT-OUT SIZE, SINGLE POLE, FOUR TERMINALS, LED-ILLUMINATED	
TOLERANCES UNLESS OTHERWISE SPECIFIED:		PRODUCT SPEC NOT APPLICABLE		SIZE A2	CAGE CODE 00779
0 PLC ± -		APPLICATION SPEC NOT APPLICABLE		DRAWING NO C=1571087	RESTRICTED TO -
1 PLC ± 0.30		WEIGHT -		SCALE 2:1	SHEET 1 OF 3
2 PLC ± 0.05		MATERIAL 1		REV D1	
3 PLC ± -		FINISH 2			
4 PLC ± -					
ANGLES ± -					

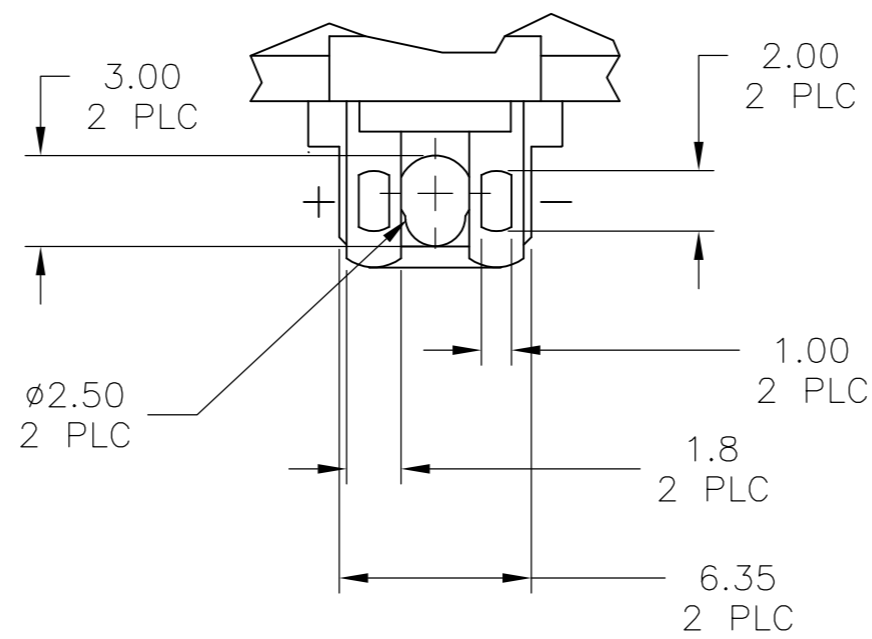
THIS DRAWING IS UNPUBLISHED. RELEASED FOR PUBLICATION
 © COPYRIGHT BY TYCO ELECTRONICS CORPORATION. ALL INTERNATIONAL RIGHTS RESERVED.

LOC	DIST	REVISIONS					
AD	00	P	LTR	DESCRIPTION	DATE	DWN	APVD
		-	-	SEE SHEET 1	-	-	-

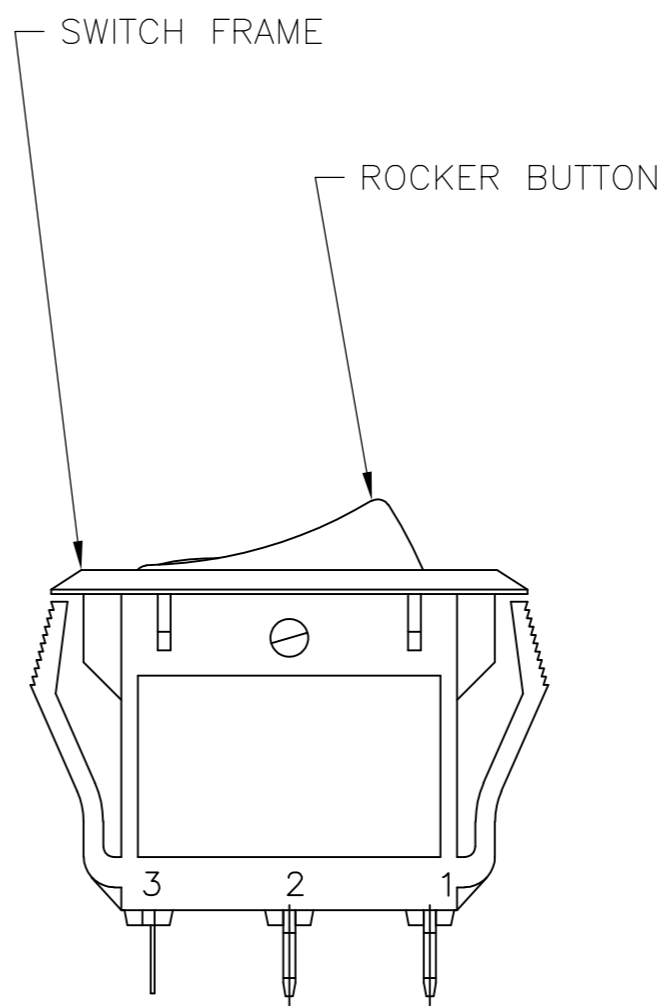
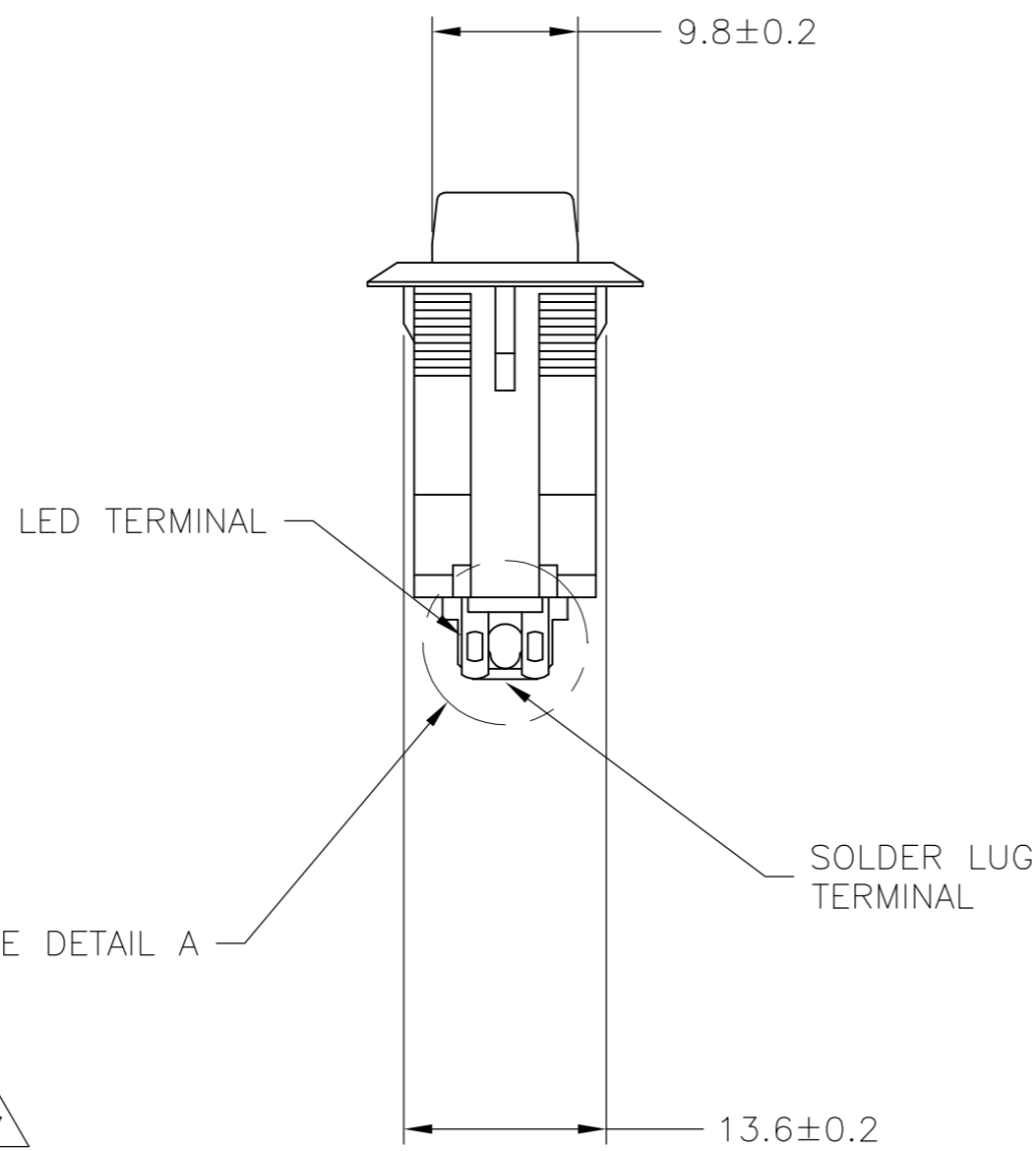
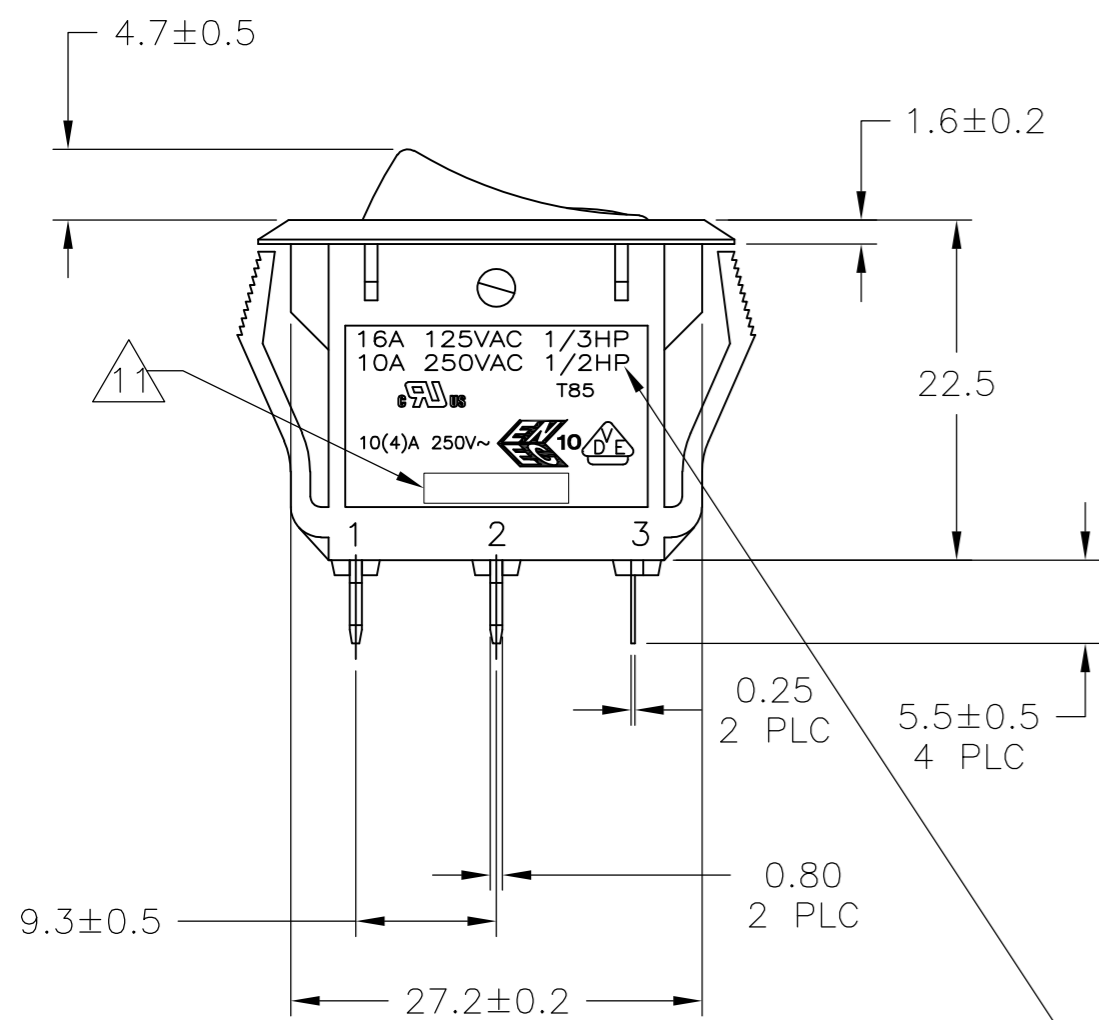
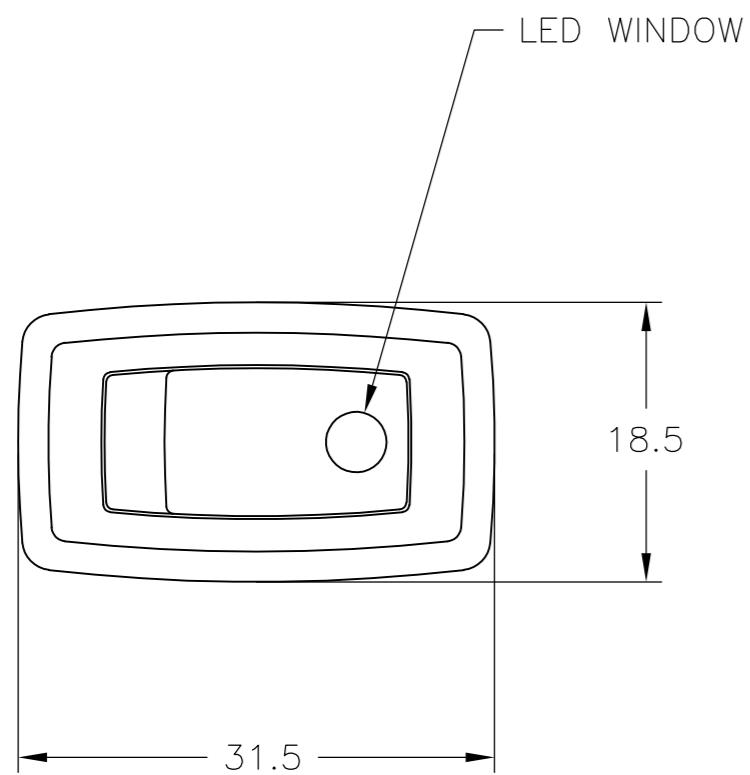
PANEL CUT OUT



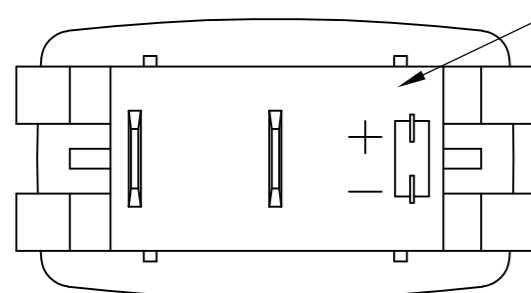
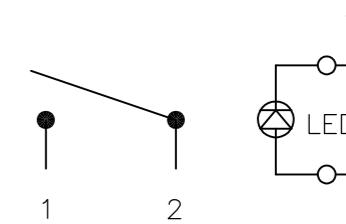
4.00-5.00	28.0-0.1	13.8+0.1
3.00-4.00	27.8-0.1	13.8+0.1
0.75-3.00	27.6-0.1	13.8+0.1
PANEL THICKNESS	X	Y



DETAIL A
SCALE 4:1



SWITCH FUNCTION C1
CIRCUIT DIAGRAM



SEE DETAIL A

7

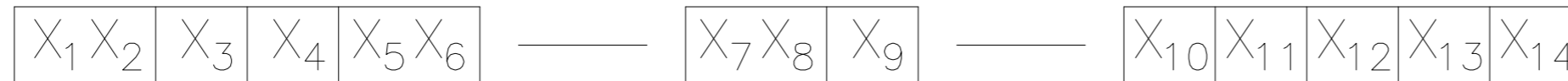
1571087-2 SHOWN

THIS DRAWING IS A CONTROLLED DOCUMENT.		DWN M.BINNER	25FEB2002	Tyco Electronics Corporation Harrisburg, PA 17105-3608	
DIMENSIONS: mm		CHK J.MOSIER	APVD -	NAME POWER ROCKER SWITCH, 13.8mm X 27.6mm PANEL CUT-OUT SIZE, SINGLE POLE, FOUR TERMINALS, LED-ILLUMINATED	
TOLERANCES UNLESS OTHERWISE SPECIFIED:		PRODUCT SPEC NOT APPLICABLE		SIZE A2	
0 PLC ± -		APPLICATION SPEC NOT APPLICABLE		CAGE CODE 00779	
1 PLC ± 0.30		WEIGHT -		DRAWING NO C=1571087	
2 PLC ± 0.05		CUSTOMER DRAWING		RESTRICTED TO -	
3 PLC ± -		SCALE 2:1		SHEET 2 OF 3	
4 PLC ± -		REV D1			
4 PLC ANGLES ± -					
FINISH					

THIS DRAWING IS UNPUBLISHED. RELEASED FOR PUBLICATION
 © COPYRIGHT BY TYCO ELECTRONICS CORPORATION. ALL INTERNATIONAL RIGHTS RESERVED.

LOC	DIST	REVISIONS			
P	LTR	DESCRIPTION	DATE	DWN	APVD
AD	00	SEE SHEET 1	-	-	-

LEGACY PART NUMBER



SWITCH TYPE: X1X2 = PR - POWER ROCKER

NOMINAL PANEL CUT OUT SIZE: X3 = B - 13.8x27.6

NUMBER OF POLES: X4 = S - SINGLE

SWITCH FUNCTION: X5X6 = C1 - ON-OFF, SINGLE-COLOR ROCKER
 BUTTON WITH LED WINDOW.

CURRENT RATING: X7X8 = 16 - 6

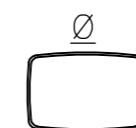
TERMINAL TYPE: X9 = F - QC TAB
L - SOLDER LUG

FRAME COLOR: X10 = B - BLACK
W - WHITE

ROCKER COLOR: X11 = B - BLACK
G - GREEN
R - RED
W - WHITE

SECONDARY ROCKER COLOR (LED COLOR): X12 = A - AMBER
G - GREEN
R - RED

LEGEND TEXT PATTERN: X13 =



LEGEND TEXT COLOR: X14 = Ø - NOT APPLICABLE

1

MATERIALS:

ROCKER BUTTON & HOUSING: NYLON 66, UL 94 V-2.
 LED WINDOW: POLYCARBONATE, UL 94 V-2
 TERMINAL, ACTIVE CONTACTOR, COPPER ALLOY PER ASTM B152/B152M
 PLUNGER, LED TERMINALS: COPPER ALLOY PER ASTM B036
 SPRING: STEEL WIRE PER ASTM A228/A228M
 CONTACT: SILVER-TIN OXIDE
 LED - RED: FOWARD VOLTAGE 2.0 VDC AT 20mA FORWARD CURRENT
 GREEN: FOWARD VOLTAGE 2.2 VDC AT 20mA FORWARD CURRENT
 AMBER: FOWARD VOLTAGE 2.1 VDC AT 20mA FORWARD CURRENT

2

FINISH:

TERMINAL, ACTIVE CONTACTOR: 1.0µm MIN SILVER
 PLUNGER: 3.0µm MIN NICKEL
 LED TERMINALS: 3.0µm MIN TIN

3.

ELECTRICAL SPECIFICATIONS:

CURRENT & VOLTAGE 6
 CONTACT RESISTANCE (INITIAL): <50mΩ
 DIELECTRIC STRENGTH (INITIAL): >1000 VAC, 1 MINUTE
 INSULATION RESISTANCE (INITIAL): >100MΩ MIN (500VDC BETWEEN OPEN CONTACTS)
 INRUSH CURRENT: 50A / 3msec (CAPACITIVE LOAD)
 ELECTRICAL LIFE ENDURANCE: >6000 OPERATIONS,
 TEMPERATURE RISE AT TERMINALS: <30°C, 6000 OPERATIONS
 (AMBIENT CONDITIONS: 25±2°C AND 65±5%R.H)

4.

MECHANICAL SPECIFICATIONS:

ACTUATING FORCE: 300g MIN, 700g MAX
 OPERATING LIFE ENDURANCE: >100,000 OPERATIONS
 TERMINAL STRENGTH: >2.5kg- SOLDER LUG
 >10.0kg- QC TAB

5.

ENVIRONMENTAL SPECIFICATIONS:

AMBIENT TEMPERATURE: -20°C TO +85°C
 HUMIDITY: MAX 85%
 SALT SPRAY: NO REMAKABLE RUST IN METAL PARTS. (5%SALT / 35°C 24HRS)
 SHOCK: NO MECHANICAL DEFECT OR DAMAGE. (100g / 10MSEC/ X,Y,Z 3 TIMES)
 VIBRATION: NO MECHANICAL DEFECT OR DAMAGE. (10-55Hz /1.5mm/ X,Y,Z 2HRS)

6

UL: 16A 125VAC 1/3HP / 10A 250VAC 1/2HP
 ENCE: 10(4) A 250V~

7

ELECTRICAL RATINGS, APPROVED AGENCY LOGOS, TERMINAL IDENTIFICATION NUMBERS, LED POLARITY SYMBOLS, MOLDED APPROXIMATELY AS SHOWN ON THE SIDE AND BOTTOM SURFACES OF THE SWITCH HOUSING.

8.

COMPONENT-RECOGNIZED TO US & CANADIAN STANDARDS
 UL FILE NO.E4675.

9.

COMPONENT-RECOGNIZED TO EUROPEAN STANDARDS (ENEC & VDE)
 MARKS LICENSE NO. 40020315

10.

ROHS 2002/95/EC COMPLIANT.

11

TYCO ELECTRONICS LOGO LOCATED APPROXIMATELY AS SHOWN

2	PRBSC1-16L-BBR00	1571087-2
1	PRBSC1-16F-BBR00	1571087-1
SHEET REF.	LEGACY PART NUMBER	PART NUMBER

THIS DRAWING IS A CONTROLLED DOCUMENT.		DWN M.BINNER	25FEB2002	Tyco Electronics Corporation Harrisburg, PA 17105-3608	
DIMENSIONS: mm		CHK J.MOSIER	APVD -	NAME POWER ROCKER SWITCH, 13.8mm X 27.6mm PANEL CUT-OUT SIZE, SINGLE POLE, FOUR TERMINALS, LED-ILLUMINATED	
TOLERANCES UNLESS OTHERWISE SPECIFIED:		PRODUCT SPEC	NOT APPLICABLE	SIZE	RESTRICTED TO
0 PLC ± -		APPLICATION SPEC	NOT APPLICABLE	A2	-
1 PLC ± 0.30		WEIGHT	-	CAGE CODE	00779
2 PLC ± 0.05		MATERIAL		DRAWING NO	C=1571087
3 PLC ± -		FINISH		SCALE	1:1
4 PLC ± -		CUSTOMER DRAWING		SHEET	3 OF 3
ANGLES ± -				REV	D1