

Customer Information Sheet

DRAWING No.: M80-400000FP-XX-XXX-00-000

SHEET 4 OF 6

IF IN DOUBT - ASK

©

NOT TO SCALE

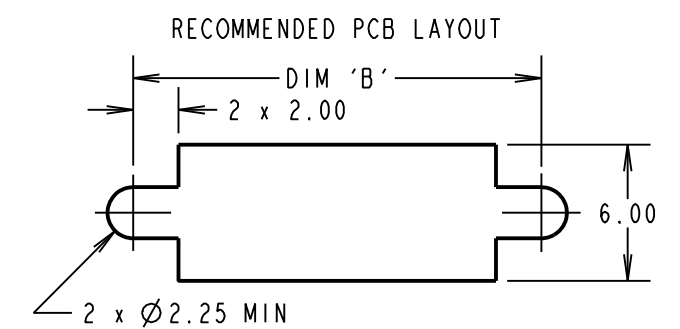
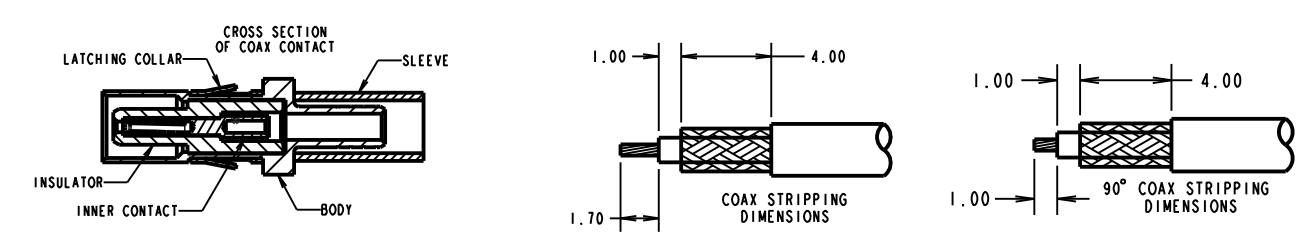
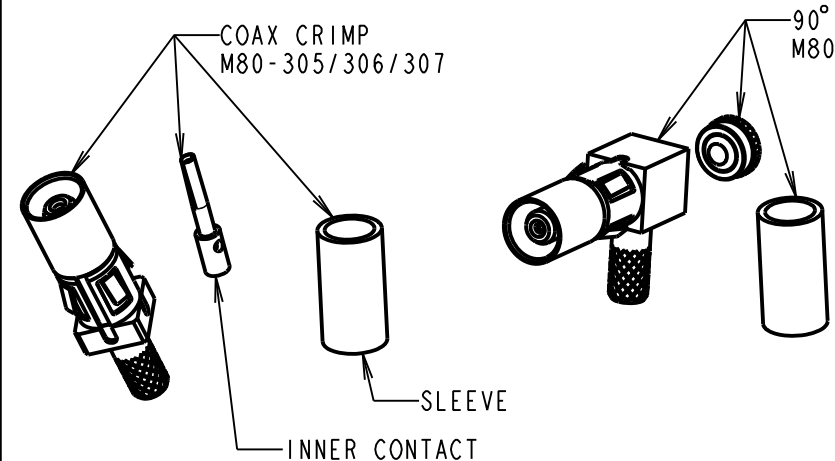
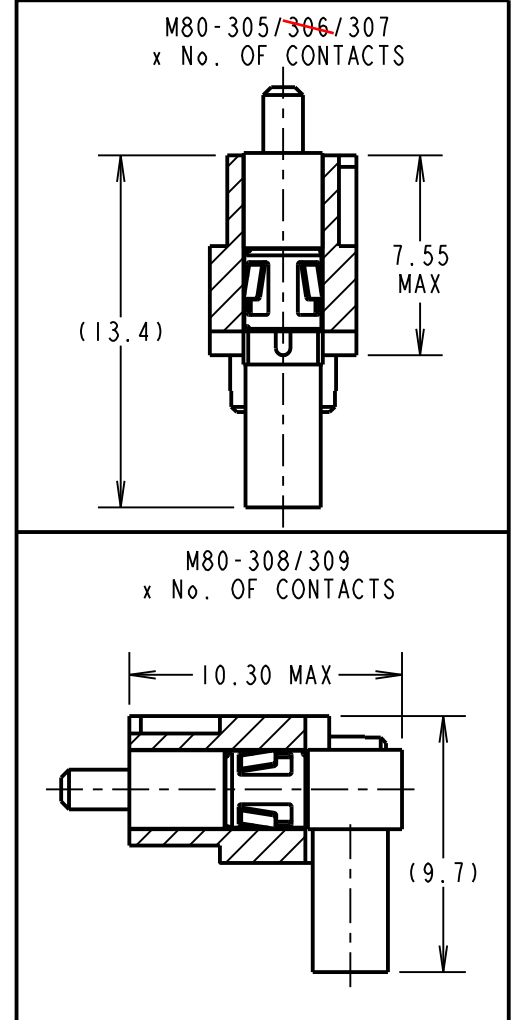
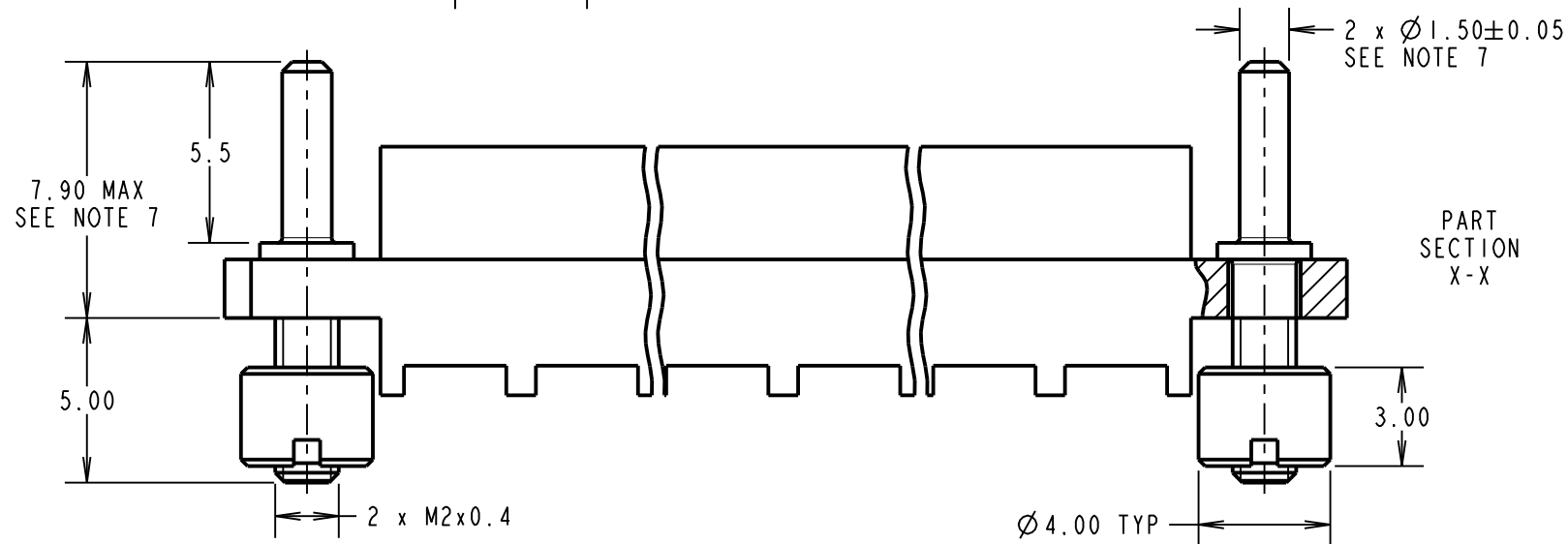
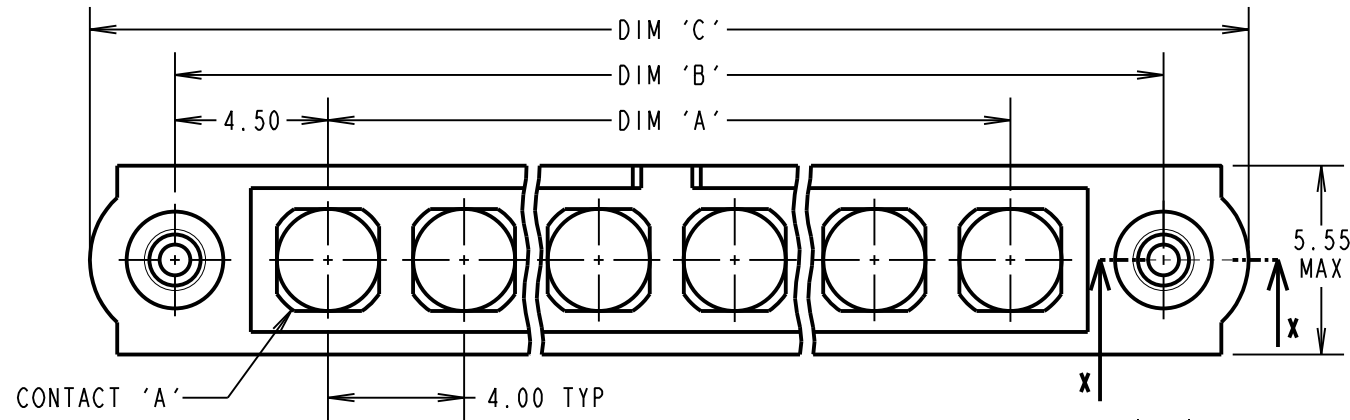
THIRD ANGLE PROJECTION

ALL DIMENSIONS IN mm

SPECIFICATIONS:

MATERIAL:
 MOULDING: GLASS FILLED PPS, UL94V-0, BLACK
COAX CONTACT:
 BODY, SLEEVE, INNER CONTACT, END PLUG = COPPER ALLOY
 LATCHING COLLAR = BERYLLIUM COPPER
 INSULATOR = PTFE
 JACKSCREW, NUT = STAINLESS STEEL.
FINISH:
COAX CONTACT:
 BODY, SLEEVE, INNER CONTACT, END PLUG = GOLD
 LATCHING COLLAR = NICKEL
ELECTRICAL:
 WORKING VOLTAGE = 800V AC/DC
 VOLTAGE PROOF = 1200V AC/DC
 INSULATION RESISTANCE = 100MΩ MIN
COAX CONTACT:
 FREQUENCY RANGE = 6GHz
 IMPEDANCE = 50Ω
 V.S.W.R = 1.05 + (0.04 x FREQUENCY) GHz MAX
 CONTACT RESISTANCE = 6mΩ MAX
 INSULATION RESISTANCE = 10⁶MΩ @ 250V AC
 OPERATING VOLTAGE = 180V AC @ 500mA
 MAXIMUM VOLTAGE = 1000V AC
MECHANICAL:
 DURABILITY = 500 OPERATIONS
COAX CONTACT:
 INSERTION FORCE = 8N MAX
 WITHDRAWAL FORCE = 0.5N MIN
ENVIRONMENTAL:
 TEMPERATURE RANGE = -55°C TO +125°C
PACKING:
 BAG
 FOR COMPLETE SPECIFICATION SEE COMPONENT SPECIFICATION C005XX (LATEST ISSUE)

COAX CRIMP CONTACTS ONLY



- CRIMP/SOLDER NOTES:**
- CONNECTORS ARE SUPPLIED WITH CONTACTS LOOSE.
 - COAX CONTACT IS SUPPLIED AS A KIT OF PARTS: BODY, MAIN INSULATOR, INNER CONTACT AND LATCHING COLLAR ARE PRE-ASSEMBLED AND SLEEVE AND INSULATED END PLUG ASSEMBLY ARE SEPARATE.
 - FOR EXTRA COAX CONTACTS, USE PART NUMBERS M80-305/306/307/308/309.
 - COAX CONTACT EXTRACTION TOOL = Z80-290.
 - RECOMMENDED HAND CRIMP TOOL FOR INNER COAX CONTACT = Z80-292 WITH POSITIONER Z80-291. RECOMMENDED HAND CRIMP TOOL AND DIE SET FOR SLEEVE = Z80-293.
 - INSTRUCTION SHEETS ARE AVAILABLE.
 - THIS ASSEMBLY CAN ONLY MATE WITH MP MALE FIXINGS.
 - GUIDE PINS AND NUTS ARE SUPPLIED BUT NOT ASSEMBLED AS SHOWN FOR ILLUSTRATION.

ORDER CODE: (COAX CRIMP CONTACTS ONLY)
M80-400000FP-XX-XXX-00-000

TOTAL No. OF CONTACTS _____
 02 TO 12

SPECIAL CONTACTS _____
 305 = COAX CONTACT 2.00mm CRIMP M80-305
~~306 = COAX CONTACT 2.40mm CRIMP M80-306~~
 307 = COAX CONTACT 2.70mm CRIMP M80-307
 308 = COAX CONTACT 2.00mm HORIZ' CRIMP M80-308
 309 = COAX CONTACT 2.70mm HORIZ' CRIMP M80-309

MGP	4	16.01.18	21020
NAME	ISS.	DATE	C/NOTE
APPROVED: MGP			
CHECKED: SB			
DRAWN: C.PENROSE			
CUSTOMER REF.:			
ASSEMBLY DRG:			

DIMENSION	CALCULATION
DIM 'A'	4 x No. OF CONTACTS - 4.00
DIM 'B'	4 x No. OF CONTACTS + 5.00
DIM 'C'	4 x No. OF CONTACTS + 10.0

EXAMPLE 1: CONNECTOR WITH 08 COAX CONTACTS,
 M80-400000FP-08-305-00-000
 DIM 'A' = 28.00mm, DIM 'B' = 37.00mm, DIM 'C' = 42.00mm

www.harwin.com
technical@harwin.com

THIS DRAWING AND ANY INFORMATION OR DESCRIPTIVE MATTER SET OUT HEREON ARE CONFIDENTIAL AND COPYRIGHT PROPERTY OF THE HARWIN GROUP AND MUST NOT BE DISCLOSED, LOANED, COPIED OR USED FOR MANUFACTURING, TENDERING OR FOR ANY OTHER PURPOSE WITHOUT THEIR WRITTEN PERMISSION.

TOLERANCES
 X. = ±1mm
 X.X = ±0.50mm
 X.XX = ±0.10mm
 X.XXX = ±0.01mm
 ANGLES = ±5°
 UNLESS STATED

MATERIAL:
SEE ABOVE

FINISH: SEE ABOVE

S/AREA: mm²

TITLE: DATAMATE MIX-TEK FEMALE ASSEMBLY WITH BOARDMOUNT GUIDE PINS

DRAWING NUMBER: **M80-400000FP-XX-XXX-00-000**

SHT 4 OF 6

Customer Information Sheet

DRAWING No.: M80-400000FP-XX-XXX-00-000

SHEET 5 OF 6

IF IN DOUBT - ASK

©

NOT TO SCALE

THIRD ANGLE PROJECTION

ALL DIMENSIONS IN mm

SPECIFICATIONS:

MATERIAL:
 MOULDING: GLASS FILLED PPS, UL94V-0, BLACK
POWER CONTACT:
 BODY, SLEEVE, INNER CONTACT, END PLUG = COPPER ALLOY
 LATCHING COLLAR = BERYLLIUM COPPER
 INSULATOR = PTFE
 JACKSCREW, NUT = STAINLESS STEEL.

FINISH:
POWER CONTACT:
 BODY, SLEEVE, INNER CONTACT, END PLUG = GOLD
 LATCHING COLLAR = NICKEL

ELECTRICAL:
 WORKING VOLTAGE = 800V AC/DC
 VOLTAGE PROOF = 1200V AC/DC
 INSULATION RESISTANCE = 100MΩ MIN

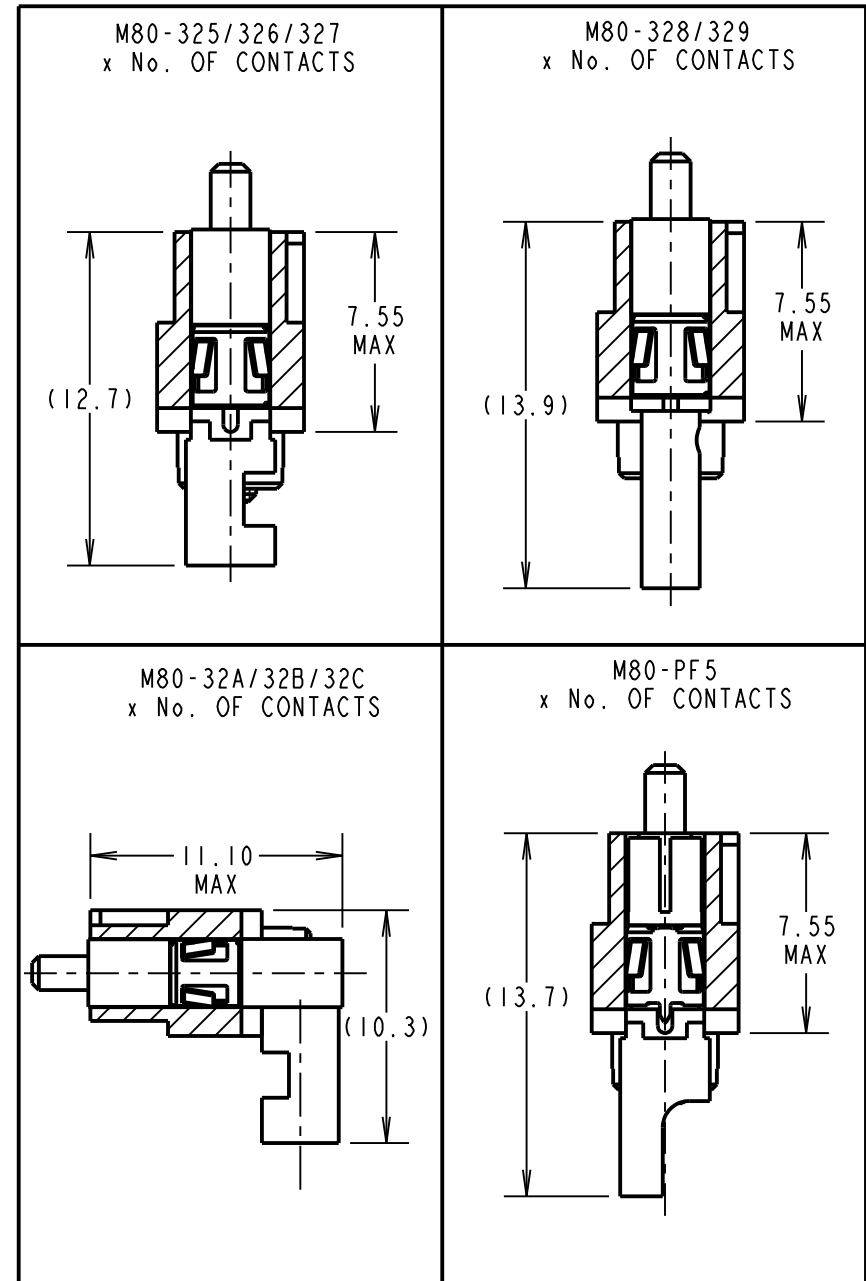
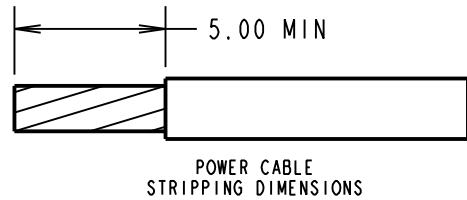
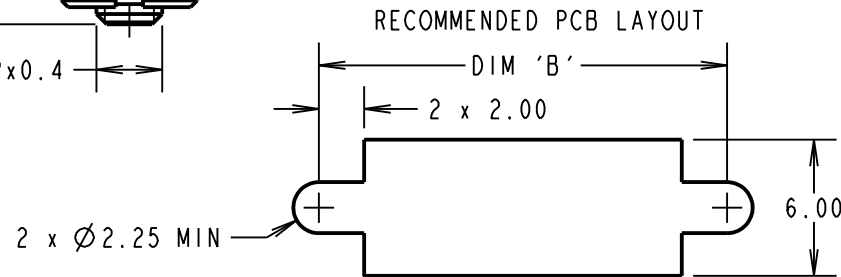
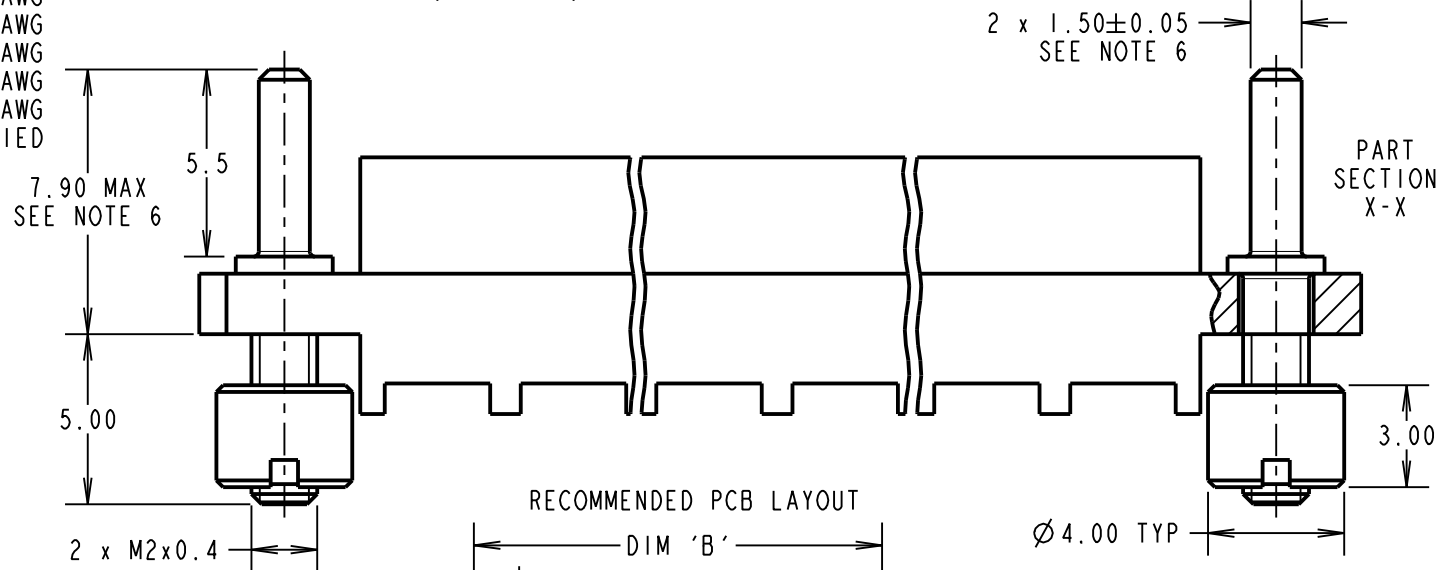
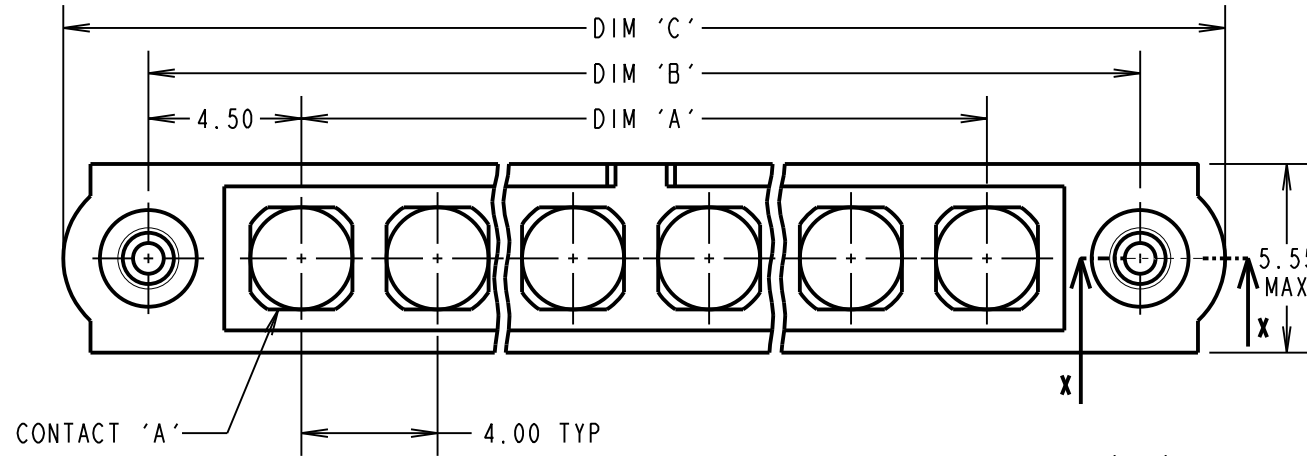
POWER CONTACT:
 CONTACT RESISTANCE = 6mΩ MAX
 CURRENT RATING = M80-325 = 20A MAX WITH 12AWG
 M80-326 = 15A MAX WITH 14AWG
 M80-327 = 10A MAX WITH 16AWG
 M80-328 = 8A MAX WITH 18AWG
 M80-329 = 5A MAX WITH 20AWG
 M80-32A = 20A MAX WITH 12AWG
 M80-32B = 15A MAX WITH 14AWG
 M80-32C = 10A MAX WITH 16AWG
 M80-PF5 = 40A MAX WITH 10AWG
 CONTACT AS SPECIFIED

MECHANICAL:
 DURABILITY = 500 OPERATIONS
POWER CONTACT:
 INSERTION FORCE:
 M80-325/326/327/328/329/
 32A/32B/32C = 8N MAX
 M80-PF5 = 15N MAX
 WITHDRAWAL FORCE = 0.5N MIN

ENVIRONMENTAL:
 TEMPERATURE RANGE:
 M80-325/326/327/328/329/
 32A/32B/32C = -55°C TO +125°C
 M80-PF5 = -55°C TO +150°C

PACKING:
 BAG
 FOR COMPLETE SPECIFICATION SEE COMPONENT
 SPECIFICATION C005XX (LATEST ISSUE)

POWER CRIMP & SOLDER CONTACTS ONLY



- CRIMP/SOLDER NOTES:**
- CONNECTORS ARE SUPPLIED WITH CONTACTS LOOSE.
 - FOR EXTRA POWER CONTACTS USE PART NUMBERS M80-325/326/327/328/329/32A/32B/32C/PM5.
 - POWER CONTACT EXTRACTION TOOL = Z80-290.
 - RECOMMENDED HAND CRIMP TOOL FOR CONTACTS 328/329 = Z80-294 AND POSITIONER Z80-295.
 - INSTRUCTION SHEETS ARE AVAILABLE.
 - THIS ASSEMBLY CAN ONLY MATE WITH MP MALE FIXINGS.
 - GUIDE PINS AND NUTS ARE SUPPLIED BUT NOT ASSEMBLED AS SHOWN FOR ILLUSTRATION.

ORDER CODE: (POWER CRIMP/SOLDER CONTACTS ONLY)
M80-400000FP-XX-XXX-00-000

TOTAL No. OF CONTACTS
 02 TO 12

SPECIAL CONTACTS
 325 = POWER CONTACT 12AWG SOLDER M80-325
 326 = POWER CONTACT 14AWG SOLDER M80-326
 327 = POWER CONTACT 16AWG SOLDER M80-327
 328 = POWER CONTACT 18AWG SOLDER/CRIMP M80-328
 329 = POWER CONTACT 20AWG SOLDER/CRIMP M80-329
 32A = POWER CONTACT 12AWG HORIZ' SOLDER M80-32A
 32B = POWER CONTACT 14AWG HORIZ' SOLDER M80-32B
 32C = POWER CONTACT 16AWG HORIZ' SOLDER M80-32C
 PF5 = POWER CONTACT 10AWG SOLDER M80-PF5

MGP	4	16.01.18	21020
NAME	ISS.	DATE	C/NOTE
APPROVED: MGP			
CHECKED: SB			
DRAWN: C.PENROSE			
CUSTOMER REF.:			
ASSEMBLY DRG:			

DIMENSION	CALCULATION
DIM 'A'	4 x No. OF CONTACTS - 4.00
DIM 'B'	4 x No. OF CONTACTS + 5.00
DIM 'C'	4 x No. OF CONTACTS + 10.0

EXAMPLE 2: CONNECTOR WITH 10 POWER CONTACTS,
 M80-500000FP-10-325-00-000
 DIM 'A' = 36.00mm, DIM 'B' = 45.00mm, DIM 'C' = 50.0mm

HARWIN

www.harwin.com
 technical@harwin.com

THIS DRAWING AND ANY INFORMATION OR DESCRIPTIVE MATTER SET OUT HEREON ARE CONFIDENTIAL AND COPYRIGHT PROPERTY OF THE HARWIN GROUP AND MUST NOT BE DISCLOSED, LOANED, COPIED OR USED FOR MANUFACTURING, TENDERING OR FOR ANY OTHER PURPOSE WITHOUT THEIR WRITTEN PERMISSION.

TOLERANCES
 X. = ±1mm
 X.X = ±0.50mm
 X.XX = ±0.10mm
 X.XXX = ±0.01mm
ANGLES = ±5°
 UNLESS STATED

MATERIAL:
 SEE ABOVE
FINISH: SEE ABOVE
S/AREA: mm²

TITLE: DATAMATE MIX-TEK FEMALE ASSEMBLY WITH BOARDMOUNT GUIDE PINS
DRAWING NUMBER: M80-400000FP-XX-XXX-00-000
 SHT 5 OF 6

Customer Information Sheet

DRAWING No.: M80-400000FP-XX-XXX-00-000

SHEET 6 OF 6

IF IN DOUBT - ASK

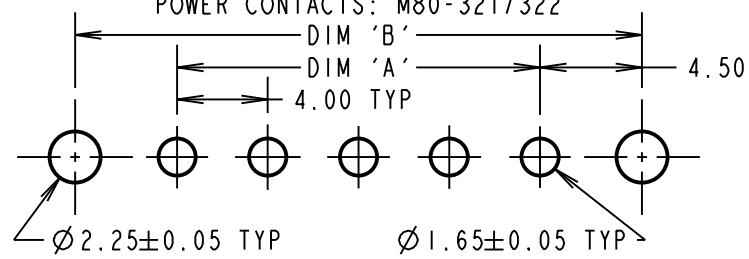
©

NOT TO SCALE

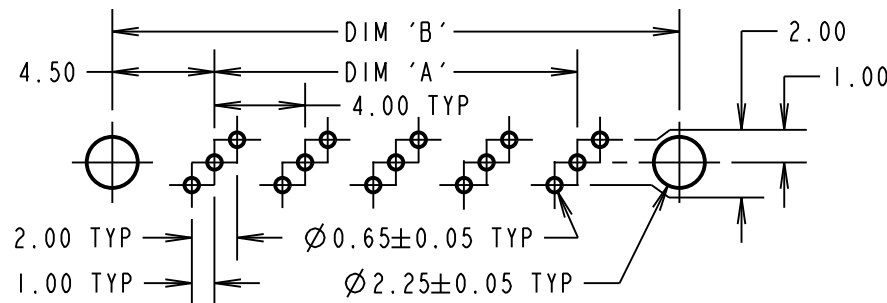
THIRD ANGLE PROJECTION

ALL DIMENSIONS IN mm

RECOMMENDED PCB LAYOUT FOR
POWER CONTACTS: M80-321/322



RECOMMENDED PCB LAYOUT FOR
COAX CONTACTS: M80-301/302



SPECIFICATIONS:

MATERIAL:
MOULDING: GLASS FILLED PPS, UL94V-0, BLACK
POWER CONTACT: COPPER ALLOY
COAX CONTACT:

BODY = COPPER ALLOY
INNER CONTACT = COPPER ALLOY
INSULATOR = PTFE
JACKSCREW, NUT = STAINLESS STEEL.

FINISH:
POWER CONTACT: GOLD
COAX CONTACT: BODY, INNER CONTACT = GOLD

ELECTRICAL:
WORKING VOLTAGE = 800V AC/DC
VOLTAGE PROOF = 1200V AC/DC
INSULATION RESISTANCE = 100MΩ MIN

POWER CONTACT:
CONTACT RESISTANCE = 6mΩ MAX
CURRENT RATING:
M80-321/322 = 20A MAX
M80-PF1/PF2 = 40A MAX

COAX CONTACT:
FREQUENCY RANGE = 6GHz
IMPEDANCE = 50Ω
V.S.W.R = 1.05 + (0.04 x FREQUENCY) GHz MAX
CONTACT RESISTANCE = 6mΩ MAX

INSULATION RESISTANCE = 10⁶MΩ @ 250V AC
OPERATING VOLTAGE = 180V AC @ 500mA
MAXIMUM VOLTAGE = 1000V AC

MECHANICAL:
DURABILITY = 500 OPERATIONS

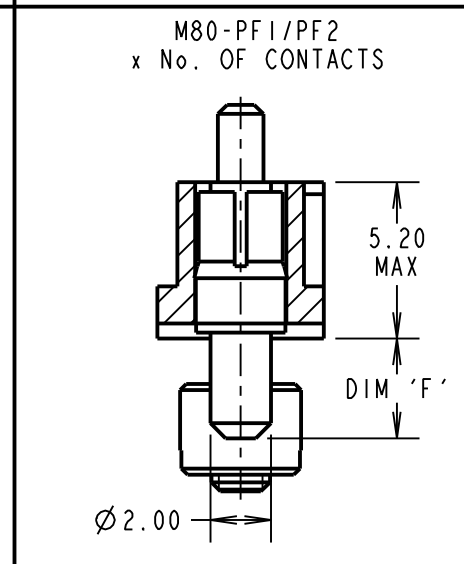
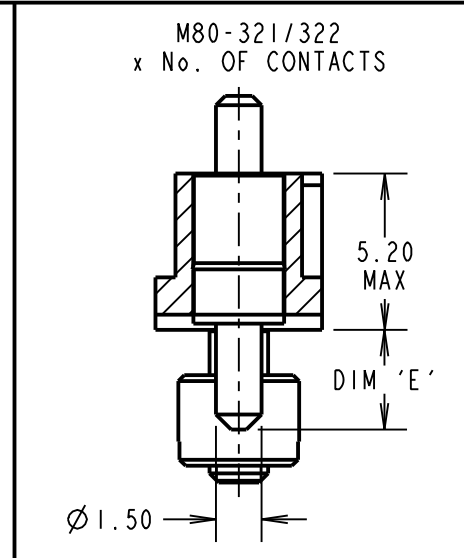
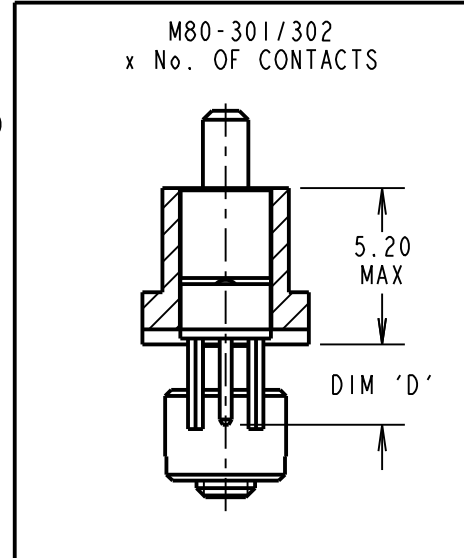
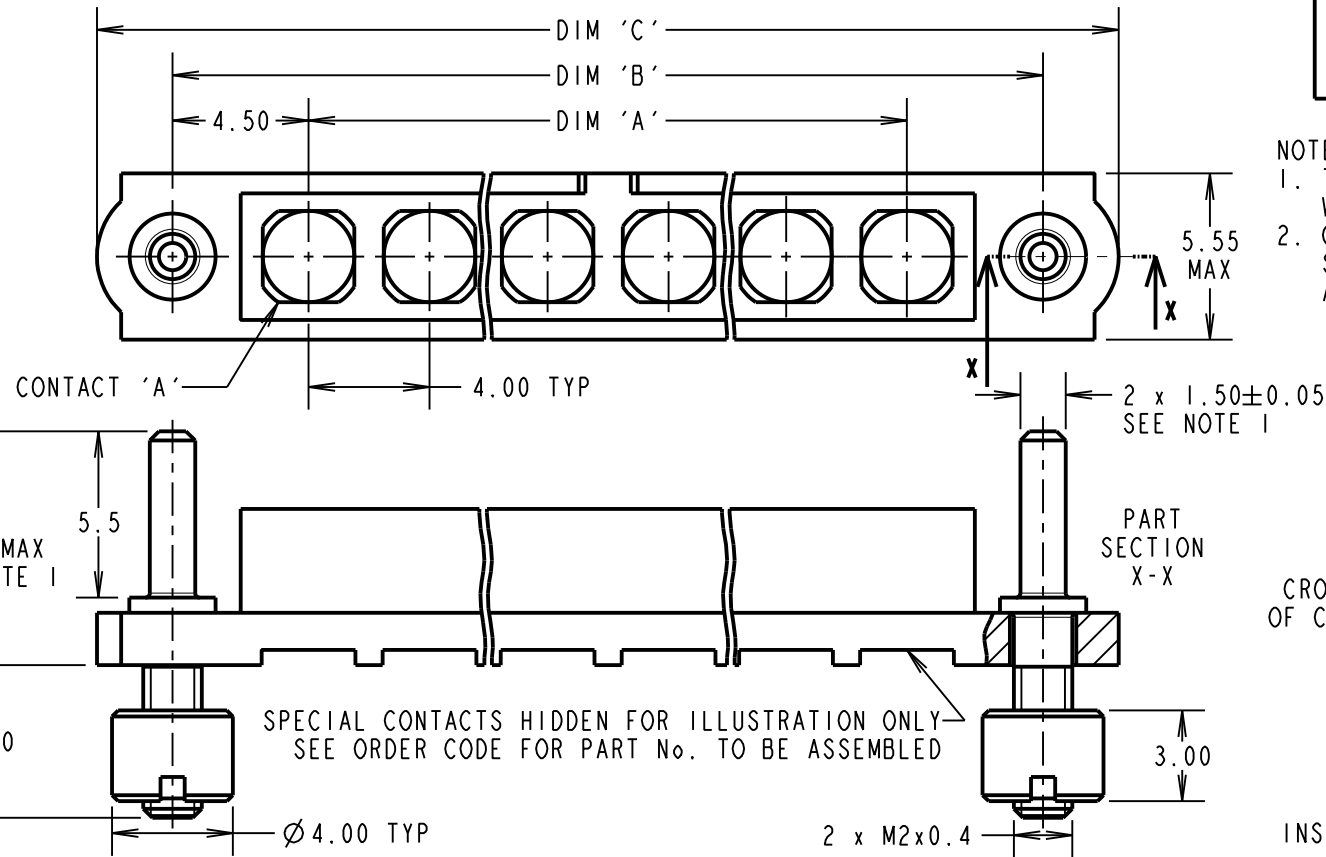
POWER CONTACT:
INSERTION FORCE:
M80-321/322 = 8N MAX
M80-PF1/PF2 = 15N MAX
WITHDRAWAL FORCE = 0.5N MIN

COAX CONTACT:
INSERTION FORCE = 8N MAX
WITHDRAWAL FORCE = 0.5N MIN

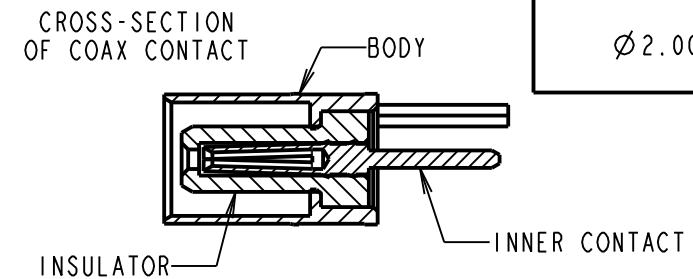
ENVIRONMENTAL:
TEMPERATURE RANGE:
M80-301/302/321/322 = -55°C TO +125°C
M80-PF1/PF2 = -55°C TO +150°C

PACKING:
TUBE
FOR COMPLETE SPECIFICATION SEE COMPONENT SPECIFICATION C005XX (LATEST ISSUE)

VERTICAL PC TAIL CONTACTS ONLY



NOTE:
1. THIS ASSEMBLY CAN ONLY MATE WITH MP MALE FIXINGS.
2. GUIDE PINS AND NUTS ARE SUPPLIED BUT NOT ASSEMBLED AS SHOWN FOR ILLUSTRATION.



DIMENSION	CALCULATION
DIM 'A'	4 x No. OF CONTACTS - 4.00
DIM 'B'	4 x No. OF CONTACTS + 5.00
DIM 'C'	4 x No. OF CONTACTS + 10.0
DIM 'D'	M80-301 = 3.0mm, M80-302 = 4.5mm
DIM 'E'	M80-321 = 3.5mm, M80-322 = 5.0mm
DIM 'F'	M80-PF1 = 3.5mm, M80-PF2 = 5.0mm

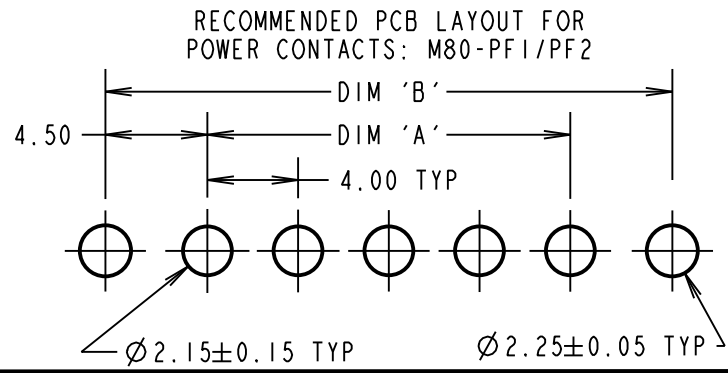
EXAMPLE 1: CONNECTOR WITH 08 COAX CONTACTS,
M80-400000FP-08-301-00-000
DIM 'A' = 28.00mm, DIM 'B' = 37.00mm, DIM 'C' = 42.0mm
DIM 'D' = 3.0mm

EXAMPLE 2: CONNECTOR WITH 10 POWER CONTACTS,
M80-400000FP-10-PF1-00-000
DIM 'A' = 36.00mm, DIM 'B' = 45.00mm, DIM 'C' = 50.0mm
DIM 'F' = 3.5mm

ORDER CODE: (PC TAIL CONTACTS ONLY)
M80-400000FP-XX-XXX-00-000

TOTAL No. OF CONTACTS _____
02 TO 12

SPECIAL CONTACTS _____
301 = COAX CONTACT 3.0mm PC TAIL M80-301
302 = COAX CONTACT 4.5mm PC TAIL M80-302
321 = 20A POWER CONTACT 3.5mm VERT' PC TAIL M80-321
322 = 20A POWER CONTACT 5.0mm VERT' PC TAIL M80-322
PF1 = 40A POWER CONTACT 3.5mm VERT' PC TAIL M80-PF1
PF2 = 40A POWER CONTACT 5.0mm VERT' PC TAIL M80-PF2



HARWIN

www.harwin.com
technical@harwin.com

THIS DRAWING AND ANY INFORMATION OR DESCRIPTIVE MATTER SET OUT HEREON ARE CONFIDENTIAL AND COPYRIGHT PROPERTY OF THE HARWIN GROUP AND MUST NOT BE DISCLOSED, LOANED, COPIED OR USED FOR MANUFACTURING, TENDERING OR FOR ANY OTHER PURPOSE WITHOUT THEIR WRITTEN PERMISSION.

TOLERANCES
X. = ±1mm
X.X = ±0.50mm
X.XX = ±0.10mm
X.XXX = ±0.01mm
ANGLES = ±5°
UNLESS STATED

MATERIAL:
SEE ABOVE

FINISH: SEE ABOVE

S/AREA: mm²

TITLE: DATAMATE MIX-TEK FEMALE ASSEMBLY WITH BOARDMOUNT GUIDE PINS

DRAWING NUMBER: M80-400000FP-XX-XXX-00-000

ASSEMBLY DRG:

MGP 4 16.01.18 21020
NAME ISS. DATE C/NOTE
APPROVED: MGP
CHECKED: SB
DRAWN: C.PENROSE
CUSTOMER REF.:
ASSEMBLY DRG:

SHT 6 OF 6