

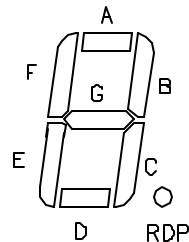
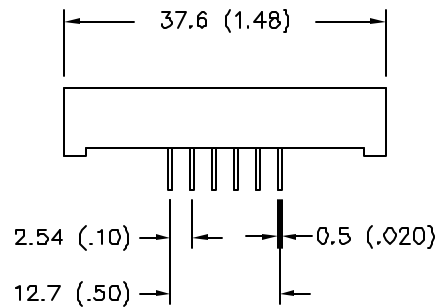
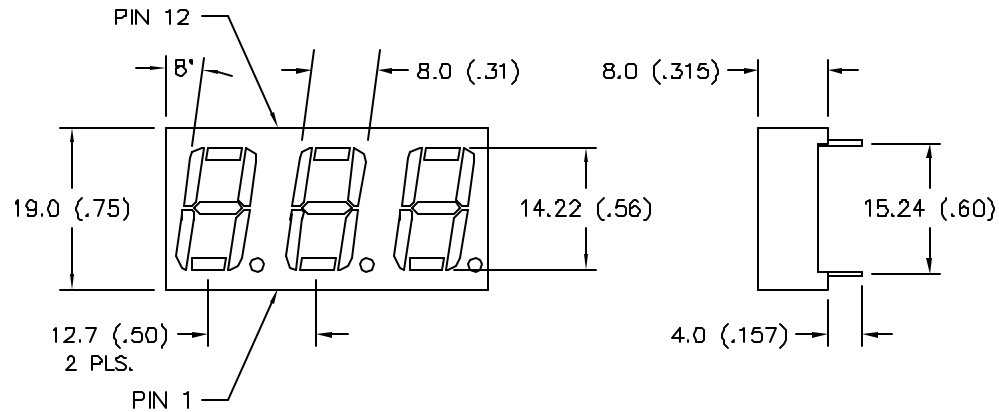
DATE

REVISIONS

REV

DRAWING NUMBER  
LDT-N516RI

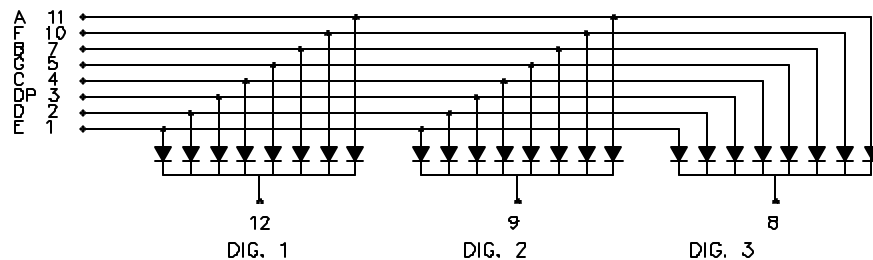
REV

ELECTRO-OPTICAL CHARACTERISTICS  $T_A=25^\circ\text{C}$   $I_f=20\text{mA}$ 

PARAMETER	MIN	TYP	MAX	UNITS	TEST COND
PEAK WAVELENGTH		660 (RED)		nm	
FORWARD VOLTAGE		1.7	2.4	V <sub>f</sub>	
REVERSE VOLTAGE	5.0			V <sub>r</sub>	I <sub>r</sub> =100 $\mu$ A
AXIAL INTENSITY		12,000		ucd	I <sub>f</sub> =10mA
EMITTED COLOR	RED				
EPOXY LENS FINISH	WHITE				
FONT COLOR	GRAY				

## LIMITS OF SAFE OPERATION AT 25°C (PER CHIP)

PARAMETER	MAX	UNITS
PEAK FORWARD CURRENT*	150	mA
STEADY CURRENT	30	mA
POWER DISSIPATION	100	mW
DERATE FROM 25°C	-1.2	mW/°C
OPERATING, STORAGE TEMP	-40 TO +85	°C
LEAD SOLDERING TEMP	+260	°C
2.0mm FROM BODY	3 SEC. MAX	

\*  $t < 10\mu\text{s}$ 

COMMON CATHODE NOTE: B (NP)

**LUMEX**  
OPTO COMPONENTS INC.

292 E. HELLEN ROAD  
PALATINE, ILLINOIS 60067  
(708) 359-2790

CONFIDENTIAL INFORMATION  
THE INFORMATION CONTAINED IN THIS DOCUMENT IS THE PROPERTY OF LUMEX OPTO/COMPONENTS, INC. EXCEPT AS SPECIFICALLY AUTHORIZED IN WRITING BY LUMEX OPTO/COMPONENTS, INC., THE HOLDER OF THIS DOCUMENT SHALL KEEP ALL INFORMATION CONTAINED HEREIN CONFIDENTIAL AND SHALL PROTECT SAME IN WHOLE OR IN PART FROM DISCLOSURE AND DISSEMINATION TO ALL THIRD PARTIES.

DATE: 2-16-96	DWN:	CHK'D:	APPD:
SCALE: N/A			

TRIPLE DIGIT SEVEN SEGMENT DISPLAY  
ORANGE W/ GRAY FONT, COMMON CATHODE

PAGE 1 OF 1

DRAWING NUMBER  
LDT-N516RI

REV