



## MAX9260 Evaluation Kit

### General Description

The MAX9260 evaluation kit (EV kit) provides a proven design to evaluate the MAX9260 gigabit multimedia serial link (GMSL) with spread spectrum and full-duplex control channel. The EV kit also includes Windows® 2000-, Windows XP® -, and Windows Vista®-compatible software that provides a simple graphical user interface (GUI) for exercising the features of the MAX9260.

The MAX9260 EV kit comes with a MAX9260GCB/V+ installed.

For complete GMSL evaluation, order both the MAX9260 EV kit and its companion board, the MAX9259 EV kit, or the MAX9249 EV kit.

### Features

- ◆ Drives 29-Bit Parallel Video and I<sup>2</sup>S Audio
- ◆ On-Board I<sup>2</sup>S Audio DAC (MAX9850)
- ◆ On-Board Class D Audio Power Amplifier (MAX9701)
- ◆ Windows 2000-, Windows XP-, and Windows Vista (32-Bit)-Compatible Software
- ◆ USB-PC Connection (Cable Included)
- ◆ USB Powered
- ◆ Proven PCB Layout
- ◆ Fully Assembled and Tested

### Ordering Information

PART	TYPE
MAX9260EVKIT+	EV Kit

+Denotes lead(Pb)-free and RoHS compliant.

**Note:** The MAX9260 EV kit should be ordered with its companion board, the MAX9259 EV kit.

### Component List

DESIGNATION	QTY	DESCRIPTION
C1–C5	5	0.01µF ±10%, 25V X7R ceramic capacitors (0402) Murata GRM155R71E103K
C6–C10, C101–C105, C111, C121, C131, C141, C151, C218, C219, C257, C258, C259	20	0.1µF ±10%, 16V X7R ceramic capacitors (0603) Murata GRM188R71C104K
C11, C12	2	0.22µF ±10%, 50V X7R ceramic capacitors (0805) Murata GRM21BR71H224K
C21	1	4.7µF ±20%, 25V X7R ceramic capacitor (1206) Murata GCM31CR71E475M
C22, C24, C25, C26, C109	5	10µF ±20%, 16V X5R ceramic capacitors (1206) Murata GRM31CR61C106M
C23	0	Not installed, capacitor (1206)

DESIGNATION	QTY	DESCRIPTION
C106, C107, C122, C123	4	22pF ±5%, 50V C0G ceramic capacitors (0603) TDK C1608C0G1H220J
C108	1	1µF ±10%, 16V X5R ceramic capacitor (0603) TDK C1608X5R1C105K
C110	1	0.033µF ±10%, 25V X7R ceramic capacitor (0603) Murata GRM188R71E333K
C200, C203– C209, C216, C217	10	1µF ±10%, 6.3V X5R ceramic capacitors (0402) Murata GRM155R60J105K
C201	1	2.2µF ±20%, 6.3V X5R ceramic capacitor (0603) TDK C1608X5R0J225M
C202	1	0.47µF ±20%, 16V X7R ceramic capacitor (0603) TDK C1608X7R1C474M

Windows, Windows XP, and Windows Vista are registered trademarks of Microsoft Corp.



# MAX9260 Evaluation Kit

Evaluates: MAX9260

## Component List (continued)

DESIGNATION	QTY	DESCRIPTION
C210, C211	2	220 $\mu$ F $\pm$ 20%, 6.3V low-ESR tantalum capacitors (C case) AVX TPSC227M006R0070
C212, C213	0	Not installed, capacitors (C case)
C214, C215	2	10 $\mu$ F $\pm$ 20%, 6.3V X5R ceramic capacitors (0805) TDK C2012X5R0J106M
C250	1	100pF $\pm$ 5%, 50V COG ceramic capacitor (0603) TDK C1608C0G1H101J
C251–C254	4	1 $\mu$ F $\pm$ 10%, 6.3V X5R ceramic capacitors (0603) TDK C1608X5R0J105K
C255	0	Not installed, capacitor (0805)
C256	1	10 $\mu$ F $\pm$ 10%, 6.3V X5R ceramic capacitor (0805) Murata GRM21BR60J106K
H1	1	72-pin header (2 x 36)
H20	1	8-pin header
J1	1	High-speed automotive connector Rosenberger D4S20F-40MA5-Z
J2, J3	0	Not installed, SMA connectors
J4	0	Not installed Nissei GT11L-2S/ JAE MX38-FF
J5	0	Not installed JAE MX49Z04NQ1
J10	1	USB type-B, right-angle female receptacle
J201–J204	4	Phono jacks
J206	1	3.5mm stereo headphone jack
JU1–JU9, JU11, JU121, JU151, JU152, JU252, JU253, JU254	16	3-pin headers
JU10, JU21, JU22, JU23, JU153, JU154, JU191–JU194, JU202–JU205	14	2-pin headers
JU19 (x6, see Table 1)	6	0 $\Omega$ $\pm$ 5% resistors (0603)

DESIGNATION	QTY	DESCRIPTION
JU101–JU108, JU141–JU144, JU255, JU256	0	Not installed, 2-pin headers— shorted with PCB trace
JU201	1	6-pin header (2 x 3)
JU206, JU251	2	5-pin headers
L21, L22, L23, L101	4	Ferrite beads (0603) TDK MMZ1608R301A
L251–L255	5	100 $\Omega$ , 3A ferrite beads (0603) TDK MPZ1608S101A
LED1, LED3, LED4, LED120, LED151–LED158	12	Red LEDs (0805)
LED2	1	Green LED (0805)
Q1–Q5	5	n-channel MOSFETs (SOT23) Central Semi 2N7002
R1, R2	2	49.9k $\Omega$ $\pm$ 1% resistors (0603)
R3–R6, R9, R10, R111	7	2.2k $\Omega$ $\pm$ 5% resistors (0603)
R11–R15, R123, R151–R158, R201, R202	16	1k $\Omega$ $\pm$ 5% resistors (0603)
R21	1	0 $\Omega$ $\pm$ 5% resistor (0603)
R101, R102	2	27 $\Omega$ $\pm$ 5% resistors (0603)
R103	1	1.5k $\Omega$ $\pm$ 5% resistor (0603)
R104	1	470 $\Omega$ $\pm$ 5% resistor (0603)
R112, R122	2	10k $\Omega$ $\pm$ 5% resistors (0603)
R121	1	1.1k $\Omega$ $\pm$ 5% resistor (0603)
R191, R192	2	4.7k $\Omega$ $\pm$ 5% resistors (0603)
R251	1	49.9 $\Omega$ $\pm$ 1% resistor (0603)
SW1, SW2	2	Miniature SPDT toggle switches
SW122, SW150–SW157	9	Momentary pushbutton switches (6mm)
U1	1	Gigabit multimedia serial link (64 TQFP-EP*) Maxim MAX9260GCB/V+
U2	1	3.3V, 500mA LDO regulator (8 $\mu$ MAX <sup>®</sup> -EP*) Maxim MAX1792EUA33+ (Top Mark: AAAC)

# MAX9260 Evaluation Kit

**Evaluates: MAX9260**

## Component List (continued)

DESIGNATION	QTY	DESCRIPTION
U10	1	UART-to-USB converter (32 TQFP)
U11	1	93C46 type 3-wire EEPROM 16-bit architecture (8 SO)
U12	1	Ultra high-speed microcontroller (44 TQFP) Maxim DS89C450-ENL+
U13	1	Quad three-state buffer (14 SO) Fairchild 74AC125SC_NL
U14	1	Level translator (14 TSSOP) Maxim MAX3378EEUD+
U15	1	I <sup>2</sup> C I/O expander (24 QSOP) Maxim MAX7324AEG+
U19	1	Dual bidirectional level translator (8 SOT23) Maxim MAX3373EEKA+ (Top Mark: AAKS)
U20	1	Stereo audio DAC with DirectDrive <sup>®</sup> headphone amplifier (28 TQFN-EP*) Maxim MAX9850ETI+

DESIGNATION	QTY	DESCRIPTION
U21	1	Dual D flip-flop (14 SO)
U25	1	1.3W, filterless, stereo Class D audio power amplifier (24 TQFN-EP*) Maxim MAX9701ETG+
Y10	1	6.0MHz crystal (HCM49) Hong Kong X'tals SSL60000N1HK188F0-0
Y12	1	14.7456MHz crystal (HCM49) Hong Kong X'tals SSM14745N1HK188F0-0
Y20	1	33MHz, 3.3V crystal oscillator (3.2mm x 2.5mm)
—	1	Cable assembly (2m) MD Elektronik PT1482
—	1	USB high-speed A-to-B cables, 6ft
—	32	Shunts
—	1	PCB: MAX9260 EVALUATION KIT+

\*EP = Exposed pad.

## Component Suppliers

SUPPLIER	PHONE	WEBSITE
AVX Corporation	843-946-0238	www.avxcorp.com
Central Semiconductor Corp.	631-435-1110	www.centalsemi.com
Fairchild Semiconductor	888-522-5372	www.fairchildsemi.com
Hong Kong X'tals Ltd.	852-35112388	www.hongkongcrystal.com
MD Elektronik GmbH	011-49-86-38-604-0	www.md-elektronik-gmbh.de
Murata Electronics North America, Inc.	770-436-1300	www.murata-northamerica.com
Rosenberger Hochfrequenztechnik GmbH	011-49-86 84-18-0	www.rosenberger.de
TDK Corp.	847-803-6100	www.component.tdk.com

**Note:** Indicate that you are using the MAX9260 when contacting these component suppliers.

## MAX9260 EV Kit Files

FILE	DESCRIPTION
MAX9259.EXE	Application program
FTD2XX.INF	USB device driver file
UNINST.INI	Uninstalls the EV kit software
USB_Driver_Help.PDF	USB driver installation help file

*μMAX and DirectDrive are registered trademarks of Maxim Integrated Products, Inc.*

# MAX9260 Evaluation Kit

## Quick Start

### Required Equipment

- MAX9260 EV kit (USB cable included)
- MAX9259 EV kit (USB cable included)
- 2m Rosenberger cable assembly (included in MAX9260 EV kit)
- Parallel data source (such as digital video)
- Optional: function generator (needed only if parallel data lacks a pixel clock)
- Optional: I2S or S/PDIF audio source
- Optional: Pair of 8Ω speakers
- Optional: 3.5mm stereo headphones (16Ω or greater)
- User-supplied Windows 2000, Windows XP, or Windows Vista PC with a spare USB port (direct 500mA connection required; do not use a hub)

**Note:** In the following sections, software-related items are identified by bolding. Text in **bold** refers to items directly from the EV kit software. Text in **bold and underlined** refers to items from the Windows operating system.

### Procedure

The MAX9260 EV kit is fully assembled and tested. Follow the steps below to verify board operation:

- 1) Visit [www.maxim-ic.com/evkitsoftware](http://www.maxim-ic.com/evkitsoftware) to download the latest version of the EV kit software, 9259Rxx.ZIP. Save the EV kit software to a temporary folder and uncompress the ZIP file. (**Note:** the MAX9260 EV kit uses the MAX9259 EV kit software. The two boards are normally used together.)
- 2) Install the EV kit software on your computer by running the 9259Rxx.msi program inside the temporary folder. The program files are copied and icons are created in the Windows **Start | Programs** menu.
- 3) Verify that all jumpers are in their default positions, as shown in Table 1.
- 4) Connect the Rosenberger cable from MAX9259 EV kit connector J1 to MAX9260 EV kit connector J1.
- 5) Connect the parallel data source to header H1 (if using static data without a pixel clock, use an external function generator to drive PCLK\_IN).
- 6) *Optional Audio Demo:* Connect the S/PDIF audio source (e.g., DVD player digital output) to MAX9259 EV kit phono jack J21. Or, connect I2S audio source to header H1 and remove jumper JU210. Connect speakers to MAX9260 EV kit SPKR\_L+/SPKER\_L- and SPKR\_R+/SPKR\_R- oval pads, or plug headphones into J206 headphone jack.
- 7) Connect the USB cable from the PC to the MAX9259 EV kit board. A **New Hardware Found** window pops up when installing the USB driver for the first time. If a window is not seen that is similar to the one described above after 30s, remove the USB cable from the board and reconnect it. Administrator privileges are required to install the USB device driver on Windows.
- 8) Follow the directions of the **Found New Hardware** window to install the USB device driver. Manually specify the location of the device driver to be **C:\Program Files\MAX9259** (default installation directory) using the **Browse** button. During device driver installation, Windows may show a warning message indicating that the device driver Maxim uses does not contain a digital signature. This is not an error condition and it is safe to proceed with installation. Refer to the USB\_Driver\_Help.PDF document included with the software for additional information.
- 9) Verify that MAX9259 EV kit LED120 lights up, indicating that the microcontroller is powered and enabled.
- 10) Verify that MAX9260 EV kit LED120 lights up, indicating that the microcontroller is powered and enabled.
- 11) Verify that MAX9260 EV kit LED2 lights up, indicating that the link has been successfully established. If LED2 is off or LED1 is on, double-check that PCLK\_IN signal is clocking data.
- 12) *Optional Audio Demo:* Press and release switch SW122 on both of the MAX9259 and MAX9260 EV kits to enable the S/PDIF-to-I2S and I2S-to-audio DAC demonstration circuitry. If I2S or S/PDIF audio was provided to the MAX9259 EV kit, audio should now be heard from the speakers or headphones previously connected to the MAX9260 EV kit.

# MAX9260 Evaluation Kit

- 13) Start the MAX9259 EV kit software by opening its icon in the **Start | Programs** menu. The EV kit software configuration window appears, as shown in Figure 7.
- 14) Press the **Connect** button and the configuration window disappears.
- 15) The EV kit software main window appears, as shown in Figure 1.
- 16) Press the **Read All** button to read all registers on the MAX9259 and MAX9260.
- 17) *I2C Slave Device Demo*: Make sure MAX9260 EV kit headers JU151–JU154 are in the 1-2 position.
- 18) In the software's MAX7324 tab (Figure 4), press the **Search for MAX7324** button. Verify that the **MAX7324 Device Address** drop-down list shows **0xDA (JU151=1-2 JU152=1-2)**.
- 19) Press the **LED151-LED158 ON** button. Verify that MAX9260 EV kit LED151–LED158 turn on.
- 20) Press the **LEDs Alternating** button. Verify that MAX9260 EV kit LED151, LED153, LED156, and LED158 turn off.
- 21) *GPIO Demo*: In the software's MAX9260 tab (Figure 3), scroll down to **Register 0x06**. Uncheck the **GPIO1OUT** checkbox and press the **Write** button. Verify that MAX9260 EV kit LED4 turns off.
- 22) Uncheck the **GPIO0OUT** checkbox and press the **Write** button. Verify that MAX9260 EV kit LED3 turns off.
- 23) Check the **GPIO1OUT** checkbox and press the **Write** button. Verify that MAX9260 EV kit LED4 turns on.
- 24) Check the **GPIO0OUT** checkbox and press the **Write** button. Verify that MAX9260 EV kit LED3 turns on.
- 25) *INT Demo*: Toggle MAX9260 EV kit switch SW2 up. Verify that MAX9259 EV kit LED1 turns on, indicating that MAX9260 INT input is asserted.
- 26) In the software's MAX9260 tab, scroll to **Register 0x06** and press the **Read** button. Verify that the **INT** checkbox is checked, indicating that MAX9260 INT input is asserted.
- 27) Toggle MAX9260 EV kit switch SW2 down. Verify that MAX9259 EV kit LED1 turns off, indicating that MAX9260 INT input is not asserted.
- 28) In the software's MAX9260 tab, scroll to **Register 0x06** and press the **Read** button. Verify that the **INT** checkbox is not checked, indicating that MAX9260 INT input is not asserted.

## Detailed Description of Software

The main window of the evaluation software (Figure 1) shows a block diagram representing the MAX9259/MAX9260 system. The left column shows MAX9259 input data sources, and the right column shows MAX9260 output data sinks.

The **Change Configuration** button (Figure 1) brings up the **Configuration** window (Figure 7), allowing the software GUI to select which side of the link the USB cable should be plugged into. Controlling from the MAX9260 side requires changing some jumper settings as described in this window. If the MAX9259 and MAX9260 device addresses have been previously changed from their factory power-on-reset values, the new addresses must be specified in the **Configuration** window to allow register access.

The **Baud Rate** drop-down list sets the communications baud rate. The USB link uses the same baud rate as the MAX9259/MAX9260. Note that the baud rate should only be changed one step at a time.

The **Read All** button reads all of the MAX9259 and MAX9260 device registers. **Reset to Default Values** restores recommended factory settings, and **Write All** writes all MAX9259/MAX9260 device registers with the values shown in the GUI.

The **MAX9259** tab sheet (Figure 2) provides direct access to all registers of the MAX9259, and the **MAX9260** tab sheet (Figure 3) provides direct access to all registers of the MAX9260. Each register has its own **Read** and **Write** button. The small circle next to the **Read** button turns yellow to indicate an attempt to read or write, red to indicate a failed read or write, and green to indicate a successful read or write operation.

The **MAX7324** tab sheet (Figure 4) controls the I2C I/O expander on the remote side of the link. When USB is plugged into the MAX9259 EV kit, the MAX7324 tab sheet controls the MAX7324 (U15) on the MAX9260

# MAX9260 Evaluation Kit

EV kit. Note that the MAX7324 actually has two device addresses; for simplicity, the software GUI only displays the device address associated with MAX7324 outputs. For details, refer to the MAX7324 IC data sheet.

The **PRBS Test** tab sheet (Figure 5) uses the MAX9260 registers to perform a pseudorandom bit sequence (PRBS) error-rate test. Select the test duration (maximum 32767s = 9.1hrs) and press the **Start** button. The software GUI configures the MAX9260 to begin the PRBS test, counts down the specified delay time, and then reports the final value of the MAX9260 PRBSERR register.

The **Interface History and Low Level Access** tab sheet (Figure 6) shows the recent low-level communications activity between the software GUI and the MAX9259/MAX9260. The **Register Access** group box provides arbitrary device read/write control, supporting additional user-supplied devices besides the on-board MAX9259, MAX9260, and MAX7324. The **Device Address, Register, and Data** drop-down lists specify the device address and the register within the device, as well as one optional byte of data to be written. Pressing the **Write Register** button writes one byte of data to the specified device register. **Read Register** reads the specified device register and reports the results into the **Interface History** window. Devices that are not register-based (such as the MAX7324) are supported by **Send Data (no register)** and **Receive Data (no register)**. User-supplied devices requiring other interface protocols must use **Raw TX byte codes** to communicate. Note that in bypass mode, raw data is passed to the user-supplied slave device directly without modification.

## Detailed Description of Hardware

The MAX9260 EV kit provides a proven layout for the MAX9260. On-board level translators, I2S stereo audio DAC, Class D audio power amplifier, and easy-to-use USB-PC connection are included on the EV kit.

The MAX9260 EV kit board layout is divided into four principal sections.

From header H1 to connector J1 are the support components specific to the MAX9260. On-board LDO regulator U2 powers the AVDD, DVDD, and IOVDD supplies from VIN. Jumper JU11 optionally connects VIN to the link cable, powering the remote EV kit board.

Below header H1, the board layout has three sections: microcontroller (U10–U14), I2C slave device (U15), and audio (U20–U25). The microcontroller and I2C slave device sections are identical on MAX9259 and MAX9260 EV kits.

The audio section of the MAX9259 EV kit contains S/PDIF-to-I2S audio converter circuits (U20–U25), which can be disabled by JU210 for applications already having I2S audio.

The audio section of the MAX9260 EV kit contains I2S-to-audio DAC circuits (U20, U21) and a Class D stereo power amplifier (U25). The audio DAC circuits are similar to the MAX9850 EV kit, and the power amplifier circuit is similar to the MAX9701 EV kit.

### **User-Supplied Interface**

To use the MAX9260 EV kit with a user-supplied interface, first cut the PCB traces at jumpers JU141 and JU142. Next, apply your own TX/SCL signal at the U1 side of JU141 and RX/SDA at the U1 side of JU142. Refer to the MAX9259/MAX9260 IC data sheet for details about UART protocol for base mode, write data format, read data format, selecting base mode or bypass mode, and selecting UART or I2C slave device.

### **User-Supplied Power Supply**

The MAX9250 and MAX9260 EV kits are powered completely from the USB port by default. The 5V USB bus power is supplied to the remote EV kit over the link cable by default. Jumper JU10 powers the link cable (VBUS) from the 5V USB supply, and jumper JU11 connects the link cable VBUS to the VIN power supply.

To provide external power to each EV kit's VIN, and still power both microcontrollers from USB, remove the shunt from JU11, but leave the shunt at JU10 installed. The link cable will carry the USB 5V bus power to the remote EV kit board, but external user-supplied VIN supplies are required to power the MAX9259 and the MAX9260.

To provide different power supplies to DVDD, AVDD, and IOVDD, remove the shunts from jumpers JU21, JU22, and JU23, and apply external user-supplied power at the DVDD, AVDD, and IOVDD oval pads.

The I2S audio link demonstration requires both MAX9259 EV kit and MAX9260 EV kit microcontrollers (U12) to be powered, otherwise the on-board S/PDIF-to-I2S converter or the I2S audio DAC does not initialize.

# MAX9260 Evaluation Kit

**Evaluates: MAX9260**

## Detailed Description of Firmware

The DS89C450 microcontroller (U12) runs custom firmware, which ensures that no breaks occur within register read/write commands. The firmware records 9-bit even-parity data received from the USB interface while RTS is set, and plays back the 9-bit data with 1.5 stop bits timing when RTS is cleared. Data received from the MAX9260 is relayed to USB immediately.

The audio chips are initialized by an I2C command sequence sent by the firmware when the microcontroller is reset. The same firmware runs on both the MAX9259 and MAX9260 EV kit boards, so this initialization sequence covers both the S/PDIF-to-I2S converter and the MAX9850 I2S stereo audio DAC. Pressing switch SW122 resets the microcontroller, resending the audio I2C initialization commands.

The firmware also supports a small set of commands, available when RTS is clear. Since all register read/write requests are sent with RTS set, there is no conflict between register data and firmware commands. These firmware commands are issued automatically by the

MAX9259 EV kit software GUI. The following information is provided for reference only.

Firmware command “?” prints the firmware version banner message and brief command list.

Firmware command “B” changes the baud rate by changing the internal TH1 baud-rate divisor. Refer to firmware help command “?” for details. Pressing switch SW122 resets the USB baud rate to 921600 baud. The software GUI automatically sends the baud-rate change command.

Firmware command “T” supports waking up the MAX9259 from the MAX9260 side of the link. Command “T” performs a dummy read, followed by a delay on the order of 1ms to 8ms, and finally writes a register value. For example, send “T810558800483” to read from device address 0x81 register 0x05, delay 4ms, then write to device address 0x80 register 0x04 data 0x83. This is the MAX9259 wake-up sequence for the default device addresses. The software GUI automatically sends this command when the **Wake Up MAX9259** button is pressed.

**Table 1. Jumper Descriptions**

JUMPER	SIGNAL	SHUNT POSITION	DESCRIPTION
JU1	CDS	1-2	CDS = high; ECU attached to MAX9260; connect USB to MAX9260 EV kit
		2-3*	CDS = low; optional peripheral attached to MAX9260
		Open	Reserved
SW1	MS	1-2 (toggle switch up)	MS = high; full-duplex bypass mode; device registers not accessible
		2-3 (toggle switch down)	MS = low; half-duplex base mode; required when writing to device registers or when using an external I2C peripheral
JU2	BWS	1-2*	BWS = high
		2-3	BWS = low
JU3	ES	1-2*	ES = high
		2-3	ES = low
JU4	DRS	1-2*	DRS = high
		2-3	DRS = low
JU5	SSEN	1-2*	SSEN = high
		2-3	SSEN = low
JU6	$\overline{\text{PWN}}$	1-2*	$\overline{\text{PWN}}$ = high
		2-3	$\overline{\text{PWN}}$ = low

# MAX9260 Evaluation Kit

Evaluates: MAX9260

**Table 1. Jumper Descriptions (continued)**

JUMPER	SIGNAL	SHUNT POSITION	DESCRIPTION
JU7	DCS	1-2*	DCS = high
		2-3	DCS = low
JU8	$\overline{\text{ENABLE}}$	1-2	$\overline{\text{ENABLE}}$ = high
		2-3*	$\overline{\text{ENABLE}}$ = low
JU9	EQS	1-2*	EQS = high
		2-3	EQS = low
SW2	INT	1-2 (toggle switch up)	INT = high
		2-3 (toggle switch down)	INT = low
JU10	Bus power	1-2*	J1 pin 1, J4 pin 1, and J5 pin 1 connect to USB 5V
		Open	USB power is not connected to link cable power
JU11	Bus power	1-2*	J1 pin 4, J4 pin 1, and J5 pin 1 connect to VIN
		2-3	J1 pin 4, J4 pin 1, and J5 pin 1 connect to GND
		Open	J1 pin 4, J4 pin 1, and J5 pin 1 not connected
JU19	IN+, IN-	Pads 2 and 4, Pads 4 and 5, Pads 5 and 7, Pads 13 and 11, Pads 11 and 10, Pads 10 and 8	Path to connector J1 (Rosenberger D4S10A-40ML5)
		Pads 2 and 4, Pads 4 and 1, Pads 1 and 10, Pads 10 and 9, Pads 13 and 12	Path to connector J4 (optional JAE MX38-FF or Nissei GT11L-2S)
		Pads 2 and 3, Pads 13 and 11, Pads 11 and 1, Pads 1 and 5, Pads 5 and 6	Path to connector J5 (optional JAE MX49Z04NQ1)
		Open	Disconnect from J1, J4, J5; use SMA connector option J2/J3
JU21	AVDD	1-2*	AVDD power from 3.3V LDO U2, powered by VIN
		Open	AVDD must be provided from an external source
JU22	DVDD	1-2 *	DVDD power from 3.3V LDO U2, powered by VIN
		Open	DVDD must be provided from an external source
JU23	IOVDD	1-2*	IOVDD power from 3.3V LDO U2, powered by VIN
		Open	IOVDD must be provided from an external source
JU121	Reserved	Not installed*	Reserved for factory diagnostic tests
JU141	TX/SCL	Not installed*	Connects U1 to U12 through level translator U14
JU142	RX/SDA	Not installed*	Connects U1 to U12 through level translator U14
JU143	LFLT	Not installed*	Connects U1 to USB through level translator U14



# MAX9260 Evaluation Kit

Evaluates: MAX9260

**Table 1. Jumper Descriptions (continued)**

JUMPER	SIGNAL	SHUNT POSITION	DESCRIPTION
JU144	INT	Not installed*	Connects U1 to USB through level translator U14
JU151	U15 AD2	1-2*	Selects U15 I <sup>2</sup> C device address
		2-3	Selects U15 I <sup>2</sup> C device address
		Open	Reserved for factory diagnostic tests
JU152	U15 AD0	1-2*	Selects U15 I <sup>2</sup> C device address
		2-3	Selects U15 I <sup>2</sup> C device address
		Open	Reserved for factory diagnostic tests
JU153	U15 SDA	1-2*	Connects U15 MAX7324 to I <sup>2</sup> C bus; MS must be low (SW1) and CDS must be low (JU1 = 2-3 on both boards)
		Open	Disconnects U15 MAX7324 from I <sup>2</sup> C bus; MS may be high (SW1)
JU154	U15 SCL	1-2*	Connects U15 MAX7324 to I <sup>2</sup> C bus; MS must be low (SW1) and CDS must be low (JU1 = 2-3 on both boards)
		Open	Disconnects U15 MAX7324 from I <sup>2</sup> C bus; MS may be high (SW1)
JU191	AUDIO-SCL	1-2*	U12 sends I <sup>2</sup> C initialization commands to audio chip U20
		Open	Disconnects audio I <sup>2</sup> C bus pullup resistor
JU192	AUDIO-SDA	1-2*	U12 sends I <sup>2</sup> C initialization commands to audio chip U20
		Open	Disconnects audio I <sup>2</sup> C bus
JU193	AUDIO-SCL	1-2*	U12 sends I <sup>2</sup> C initialization commands to audio chip U20
		Open	Disconnects audio I <sup>2</sup> C bus pullup resistor
JU194	AUDIO-SDA	1-2*	U12 sends I <sup>2</sup> C initialization commands to audio chip U20
		Open	Disconnects audio I <sup>2</sup> C bus
JU201	U20 ADD	1-2 *	U20 ADD = GND; selects U20 device address 0010 000x (0x20) (on audio I <sup>2</sup> C bus).
		3-4	U20 ADD = IOVDD; selects U20 device address 0010 001x (0x22) (on audio I <sup>2</sup> C bus)
		5-6	U20 ADD = AUDIO_SDA; selects U20 device address 0010 011x (0x26) (on audio I <sup>2</sup> C bus)
		Open	Reserved
JU202	HPS	1-2*	U20 MAX9850 headphone sense controlled by the insertion of headphones
		Open	U20 MAX9850 headphone sense switch forced open
JU203	I <sup>2</sup> S SD	1-2*	U1 I <sup>2</sup> S audio drives U20 MAX9850 audio DAC
		Open	Disconnects I <sup>2</sup> S signals
JU204	I <sup>2</sup> S SCK	1-2*	U1 I <sup>2</sup> S audio drives U20 MAX9850 audio DAC
		Open	Disconnects I <sup>2</sup> S signals
JU205	I <sup>2</sup> S WS	1-2*	U1 I <sup>2</sup> S audio drives U20 MAX9850 audio DAC
		Open	Disconnects I <sup>2</sup> S signals
JU206	MCLK	1-2*	U20 MCLK = 33MHz crystal oscillator Y20
		1-3	U20 MCLK = PCLK_OUT
		1-4	U20 MCLK = PCLK_OUT divided by 2
		Open	Reserved

# MAX9260 Evaluation Kit

Evaluates: MAX9260

Table 1. Jumper Descriptions (continued)

JUMPER	SIGNAL	SHUNT POSITION	DESCRIPTION
JU251	U25 SYNC	1-2*	U25 operates in spread-spectrum mode with $f_{OSC} = 1200\text{kHz} \pm 60\text{kHz}$
		1-3	U25 operates in fixed-frequency mode with $f_{OSC} = 1400\text{kHz}$
		1-4	U25 operates in fixed-frequency mode with $f_{OSC} =$ external TTL-compatible clock frequency
		1-5	U25 operates in fixed-frequency mode with $f_{OSC} = 1100\text{kHz}$
		Open	Reserved
JU252	U25 $\overline{\text{SHDN}}$	1-2*	U25 $\overline{\text{SHDN}} =$ high, enable speaker driver
		2-3	U25 $\overline{\text{SHDN}} =$ low, disable speaker driver
		Open	Reserved
JU253	U25 GAIN2	1-2*	JU253 and JU254 set the gain of U25
		2-3	JU253 and JU254 set the gain of U25
		Open	Reserved
JU254	U25 GAIN1	1-2*	JU253 and JU254 set the gain of U25
		2-3	JU253 and JU254 set the gain of U25
		Open	Reserved
JU255	U25 INL-	Not installed*	U25 input INL is ground referenced
		Open	Reserved
JU256	U25 INR-	Not installed*	U25 input INR is ground referenced
		Open	Reserved

\*Default position.

# MAX9260 Evaluation Kit

Evaluates: **MAX9260**

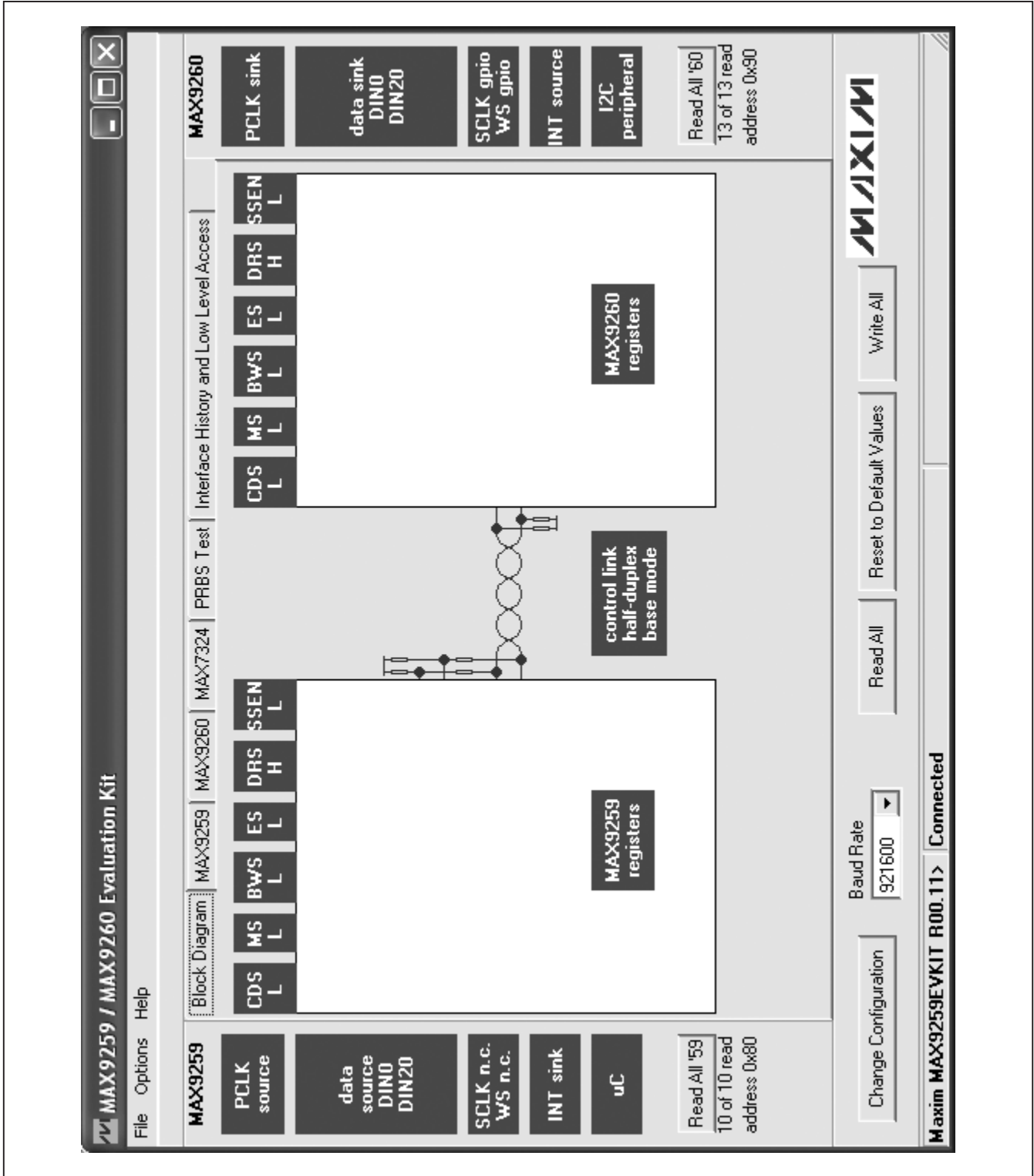


Figure 1. MAX9259/MAX9260 EV Kit Software Main Window (Block Diagram Tab)

# MAX9260 Evaluation Kit

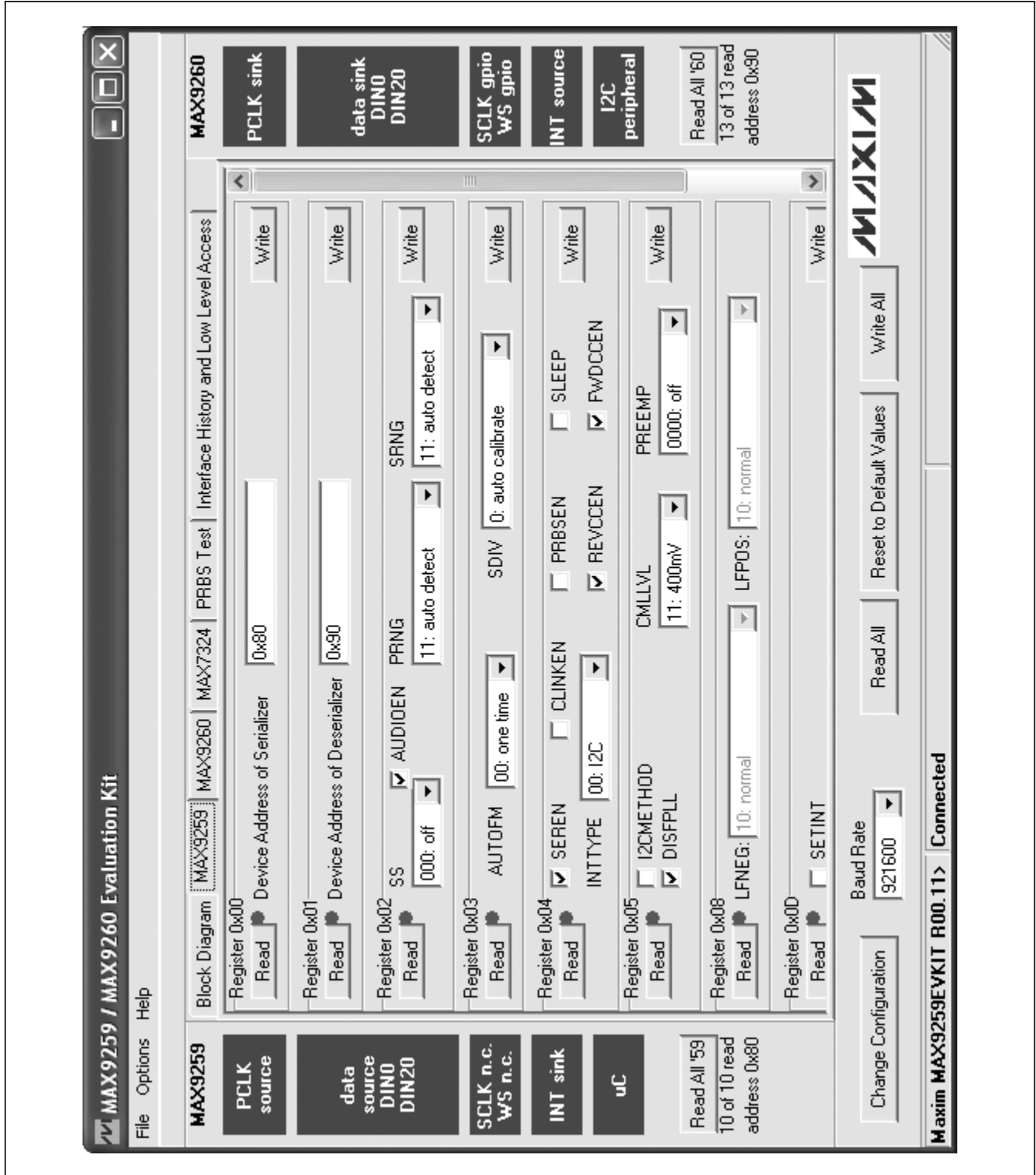


Figure 2. MAX9259/MAX9260 EV Kit Software Main Window (MAX9259 Tab)

# MAX9260 Evaluation Kit

Evaluates: MAX9260

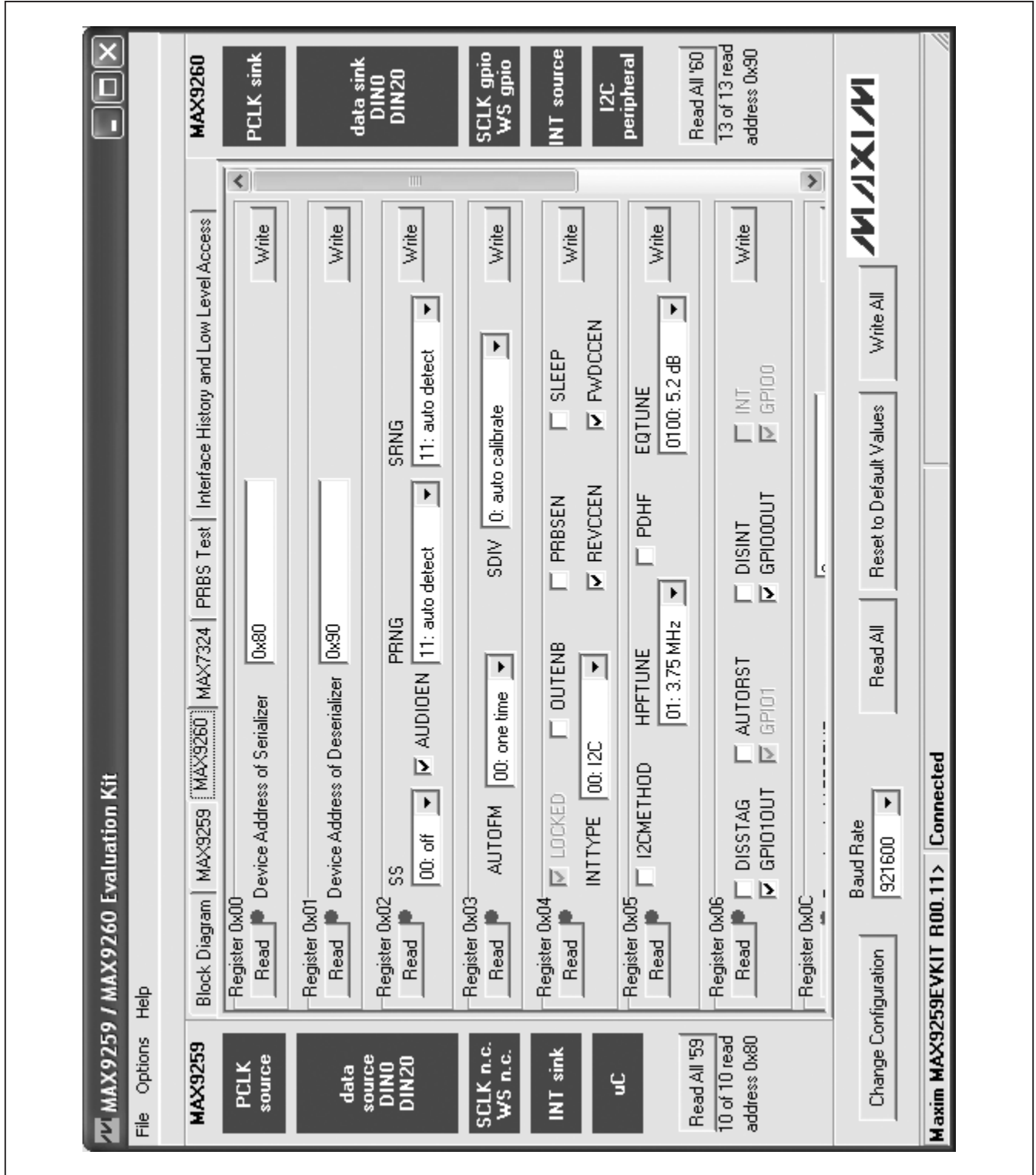


Figure 3. MAX9259/MAX9260 EV Kit Software Main Window (MAX9260 Tab)

# MAX9260 Evaluation Kit

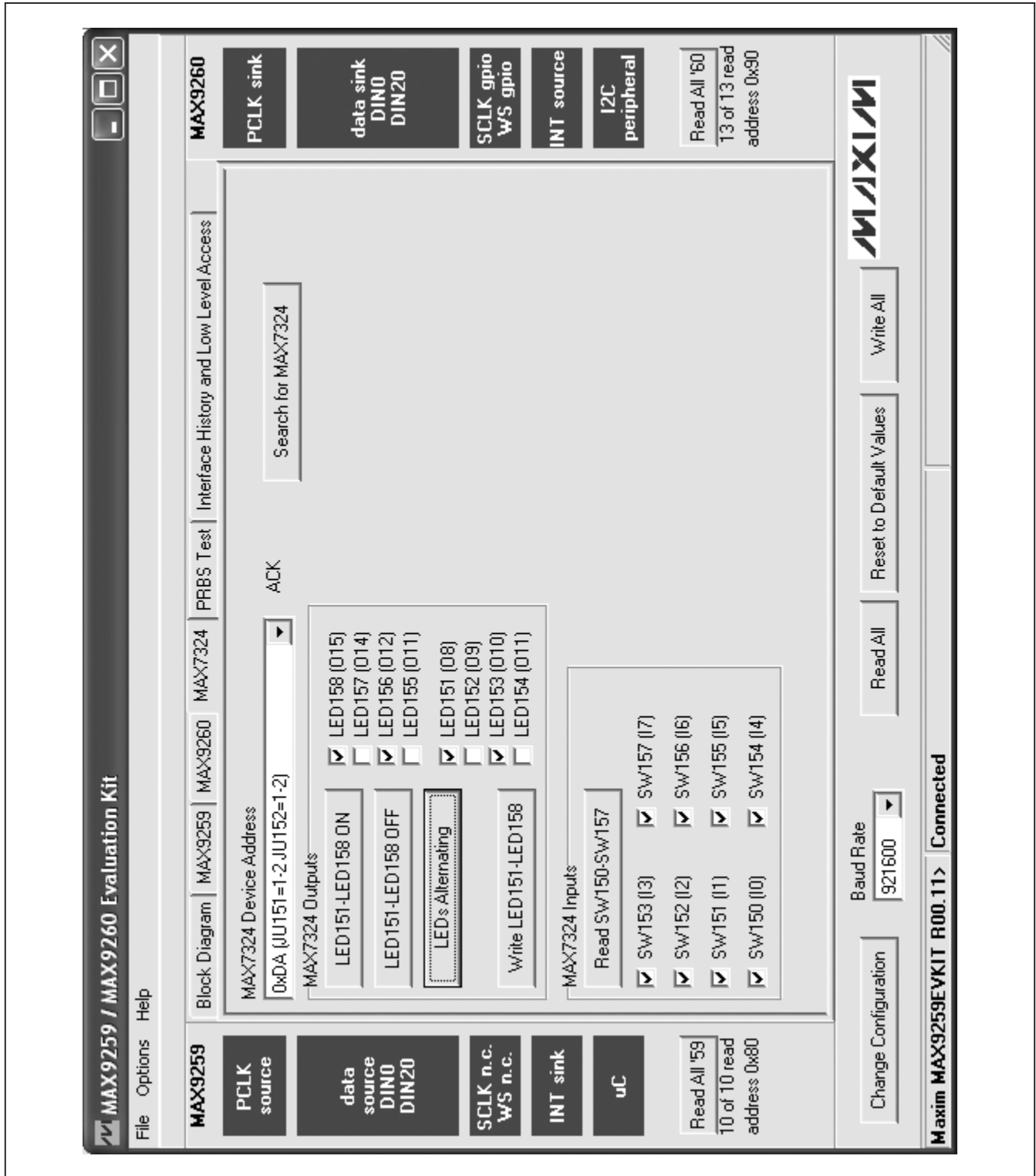


Figure 4. MAX9259/MAX9260 EV Kit Software Main Window (MAX7324 Tab)

# MAX9260 Evaluation Kit

Evaluates: **MAX9260**

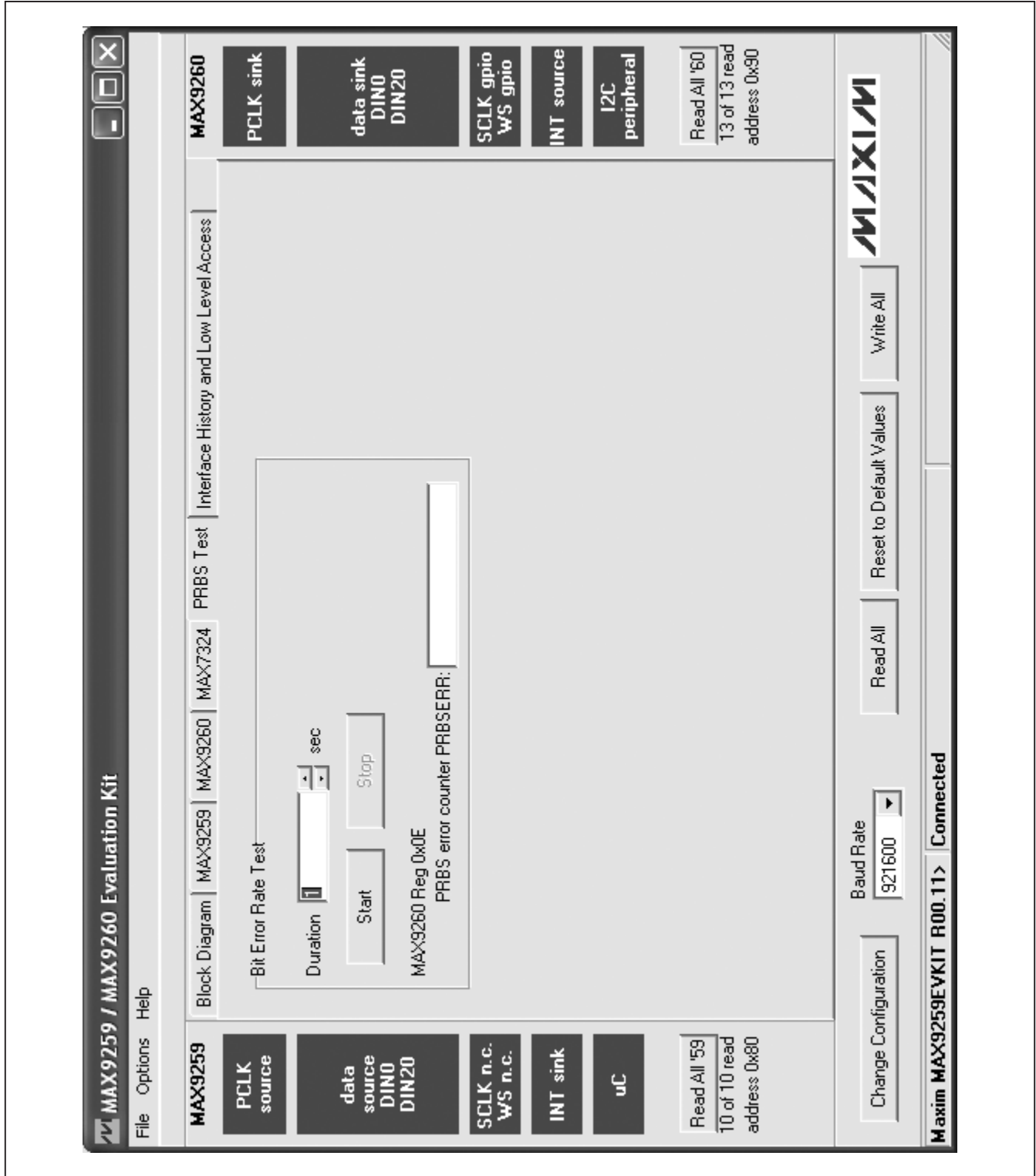


Figure 5. MAX9259/MAX9260 EV Kit Software Main Window (PRBS Tab)

# MAX9260 Evaluation Kit

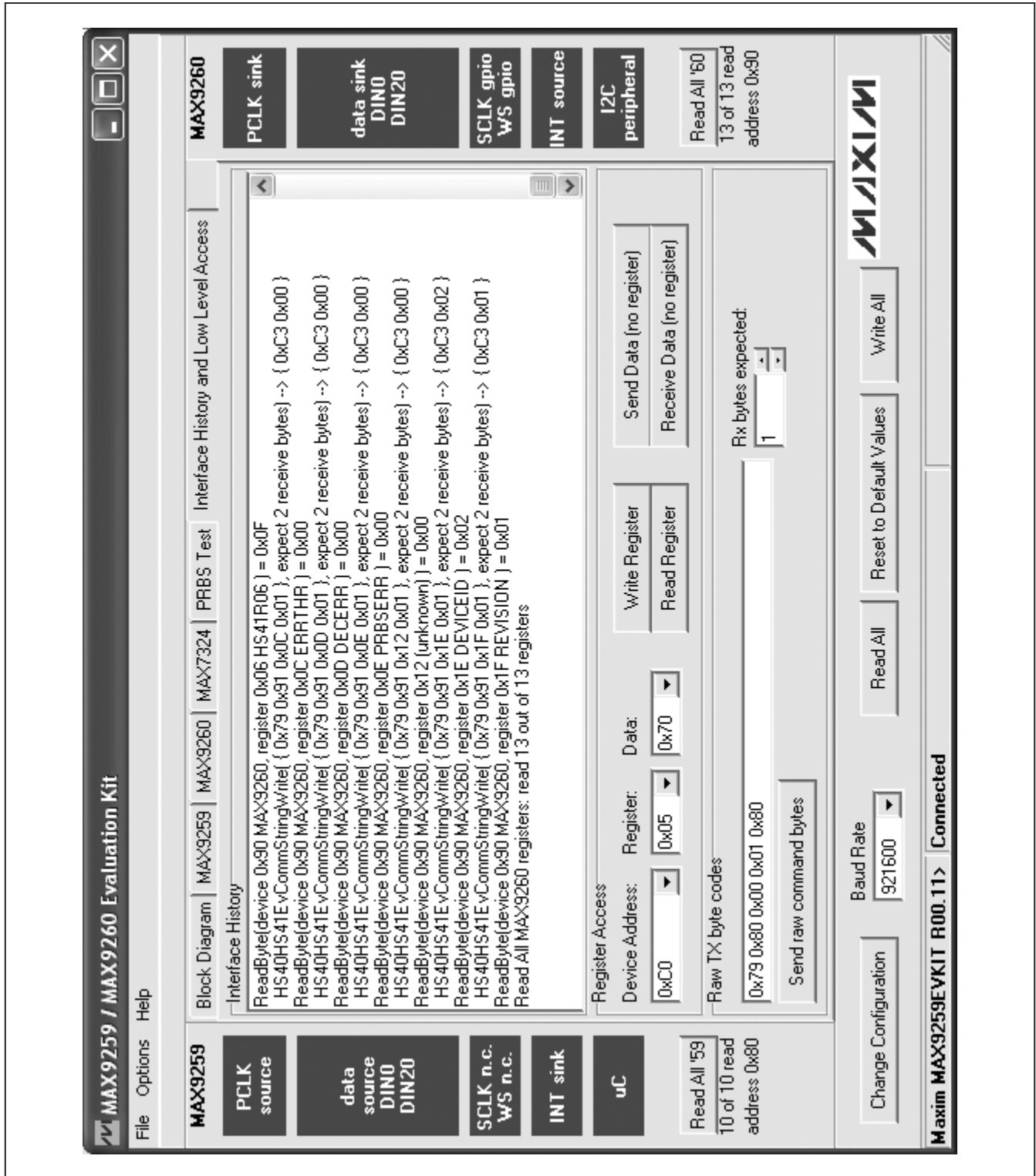


Figure 6. MAX9259/MAX9260 EV Kit Software Main Window (Interface History And Low Level Access Tab)



# MAX9260 Evaluation Kit

Evaluates: **MAX9260**

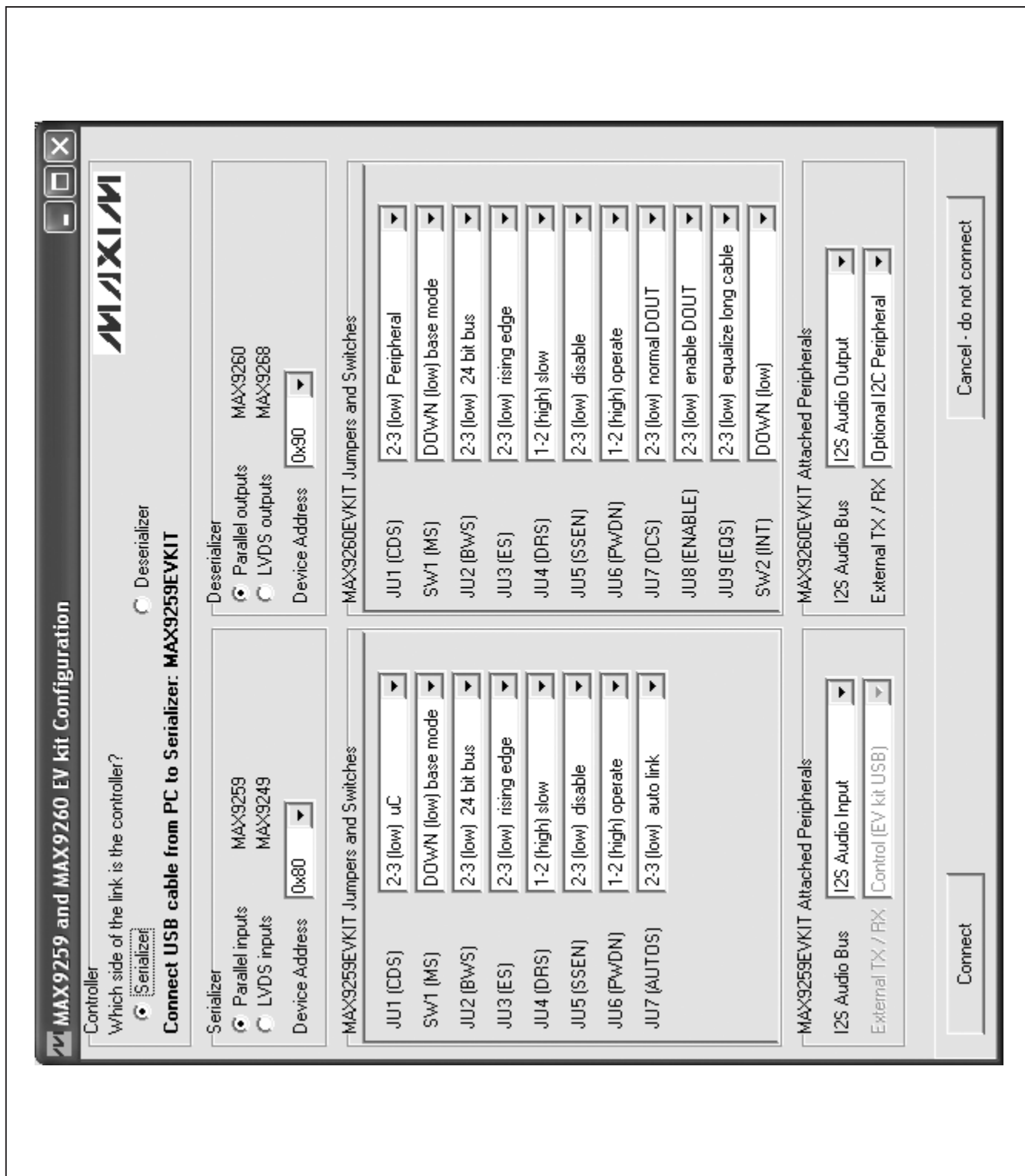


Figure 7. MAX9259/MAX9260 EV Kit Software Configuration Window

# MAX9260 Evaluation Kit

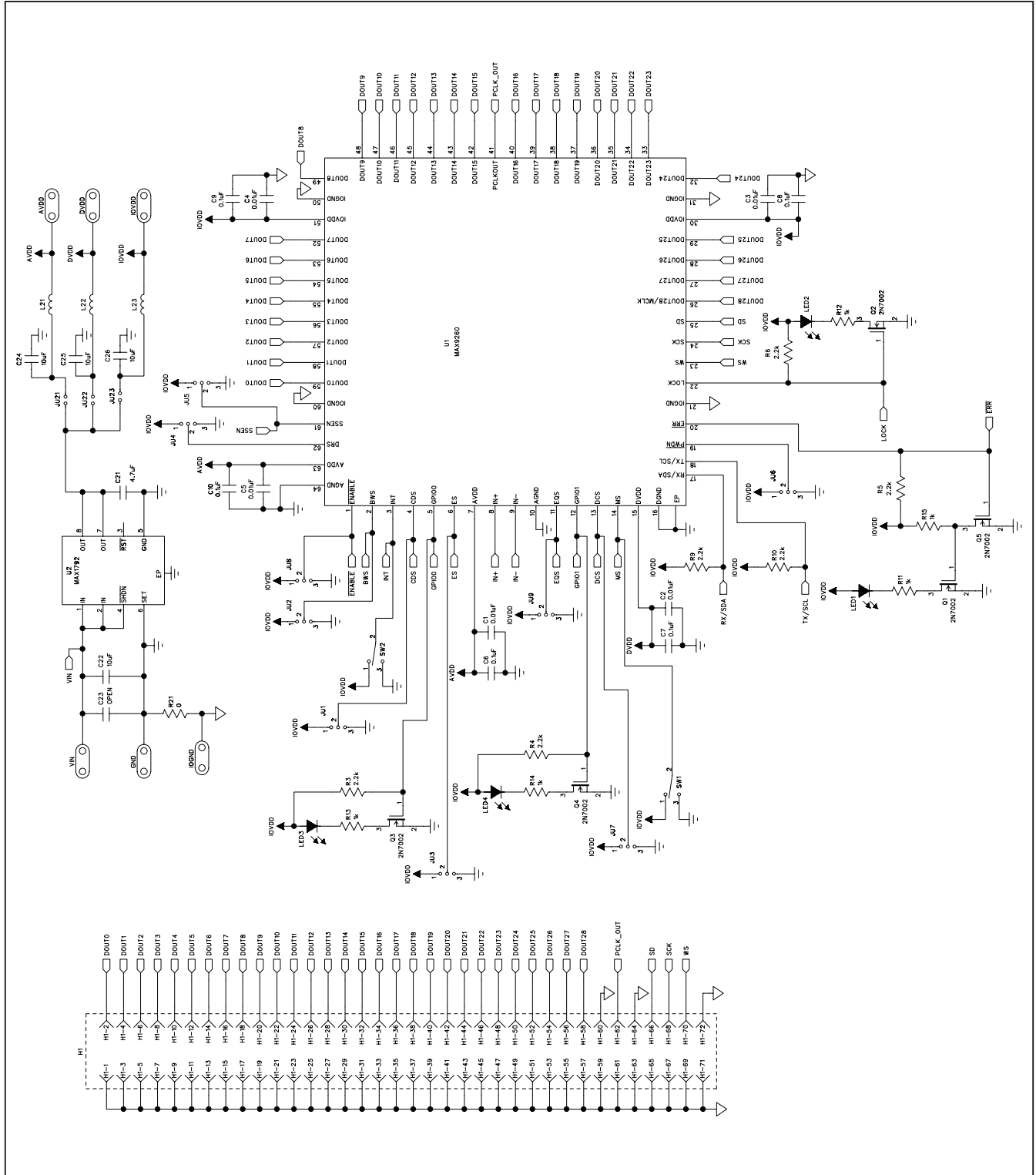
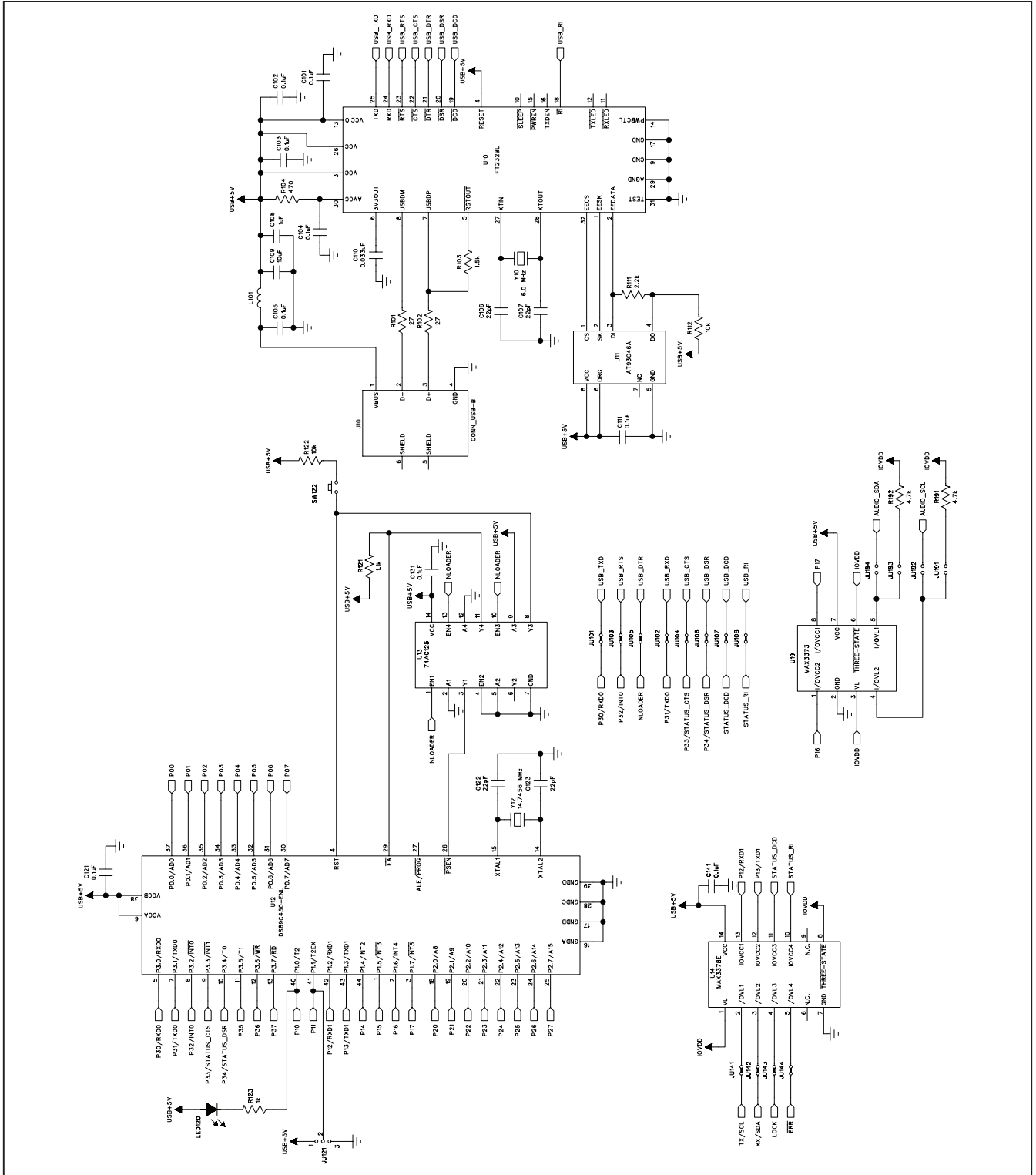


Figure 8a. MAX9260 EV Kit Schematic (Sheet 1 of 4)

# MAX9260 Evaluation Kit

Evaluates: MAX9260



# MAX9260 Evaluation Kit

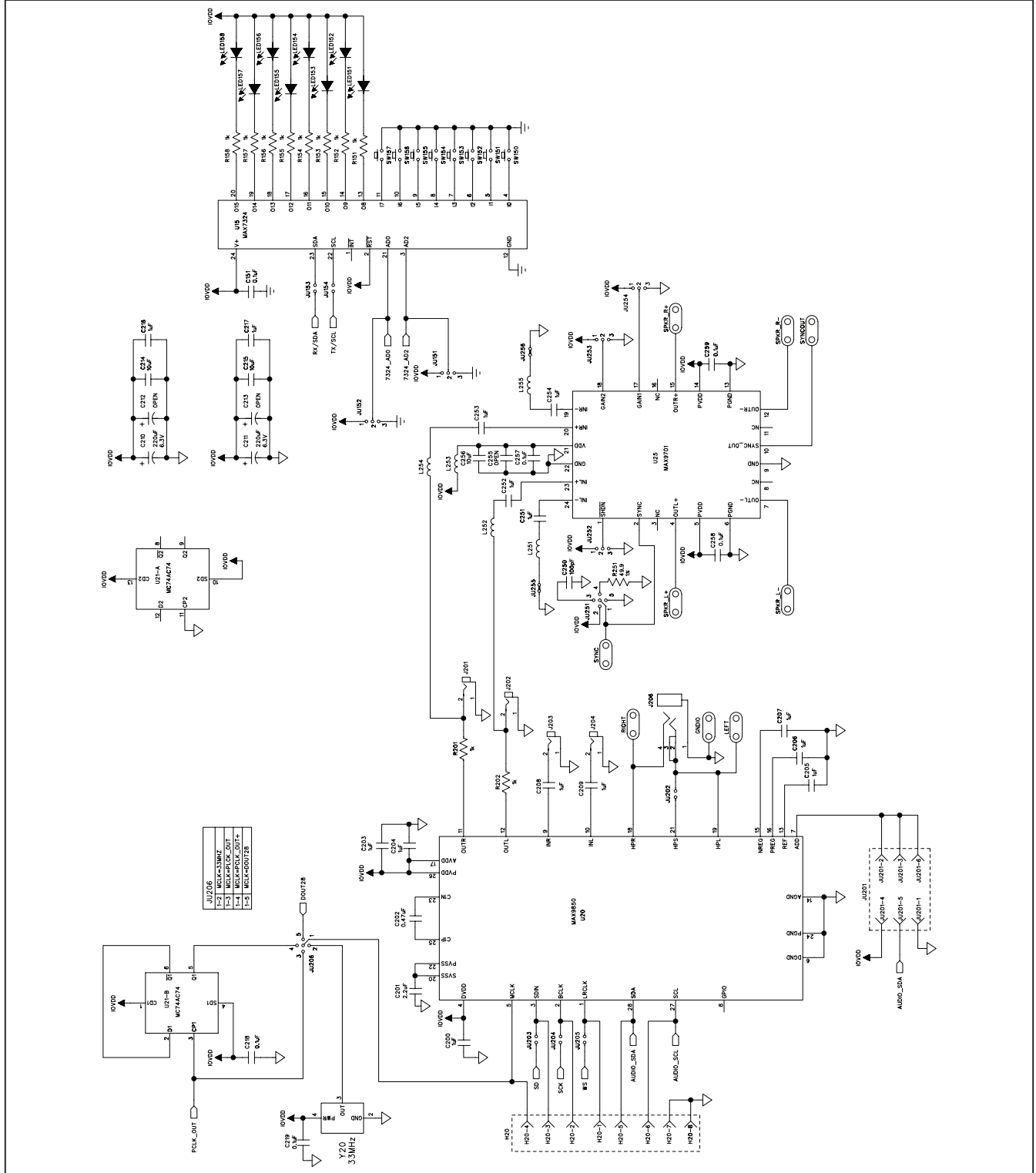


Figure 8c. MAX9260 EV Kit Schematic (Sheet 3 of 4)

# MAX9260 Evaluation Kit

Evaluates: MAX9260

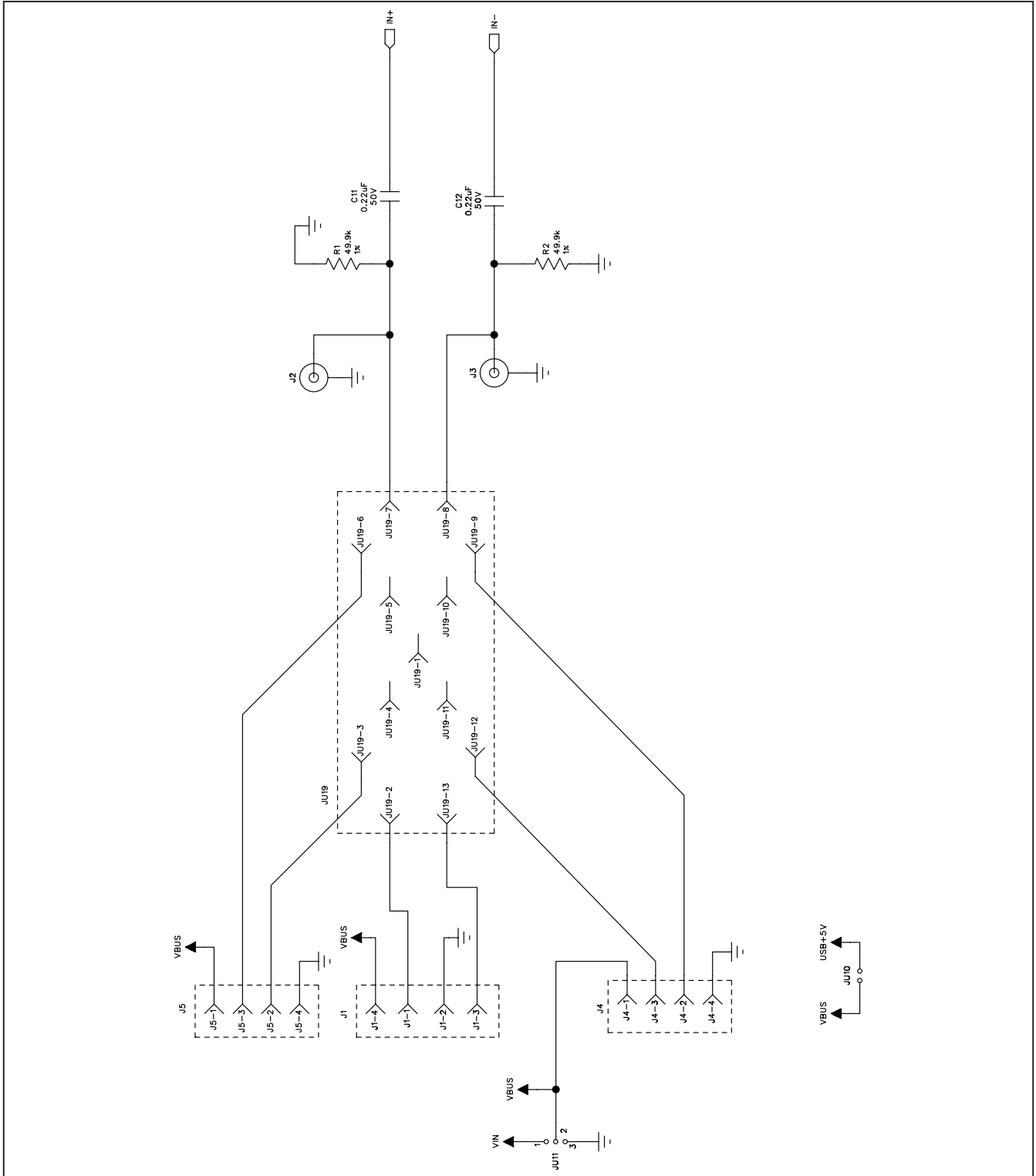


Figure 8d. MAX9260 EV Kit Schematic (Sheet 4 of 4)

# MAX9260 Evaluation Kit

Evaluates: MAX9260

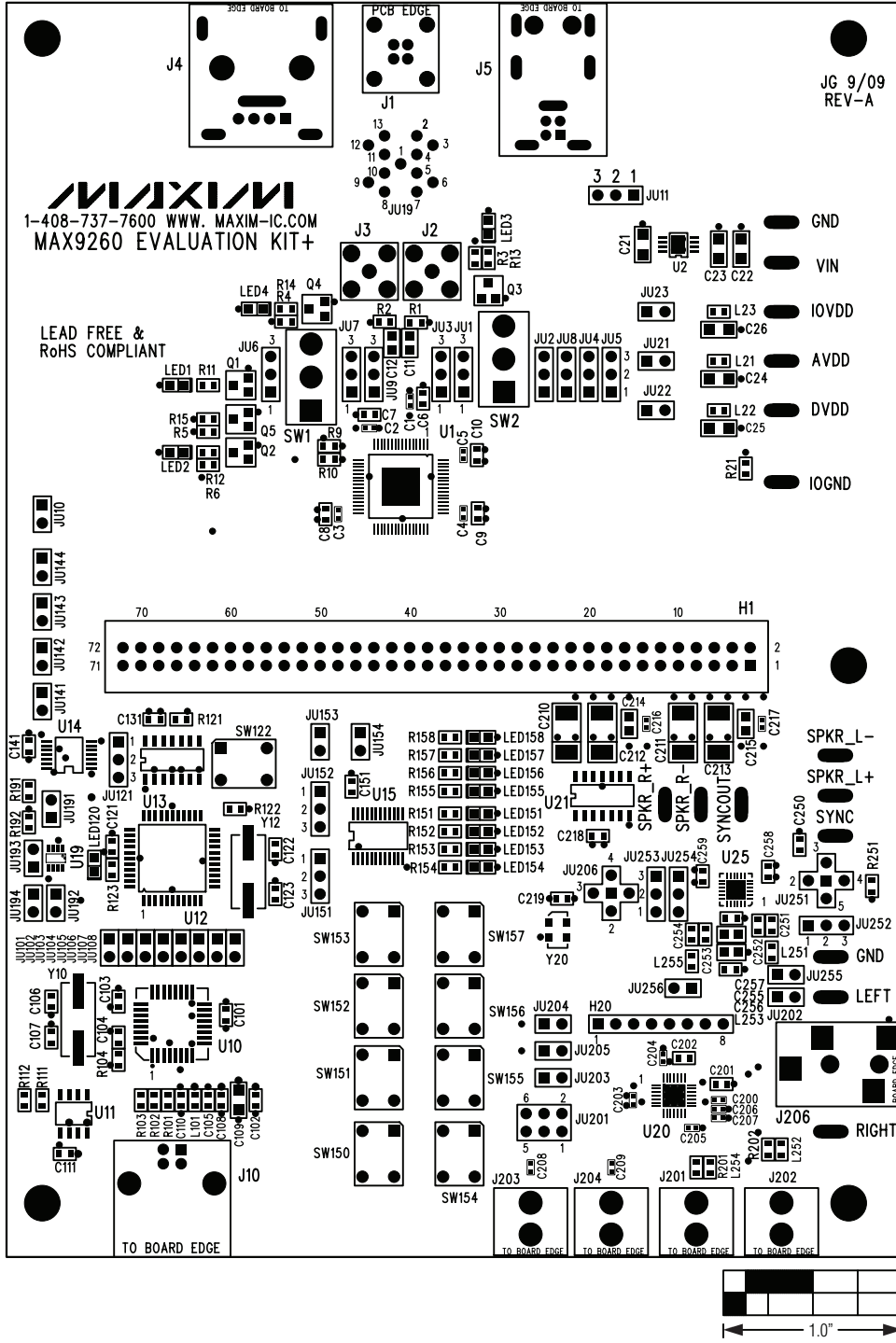


Figure 9. MAX9260 EV Kit Component Placement Guide—Component Side

# MAX9260 Evaluation Kit

Evaluates: MAX9260

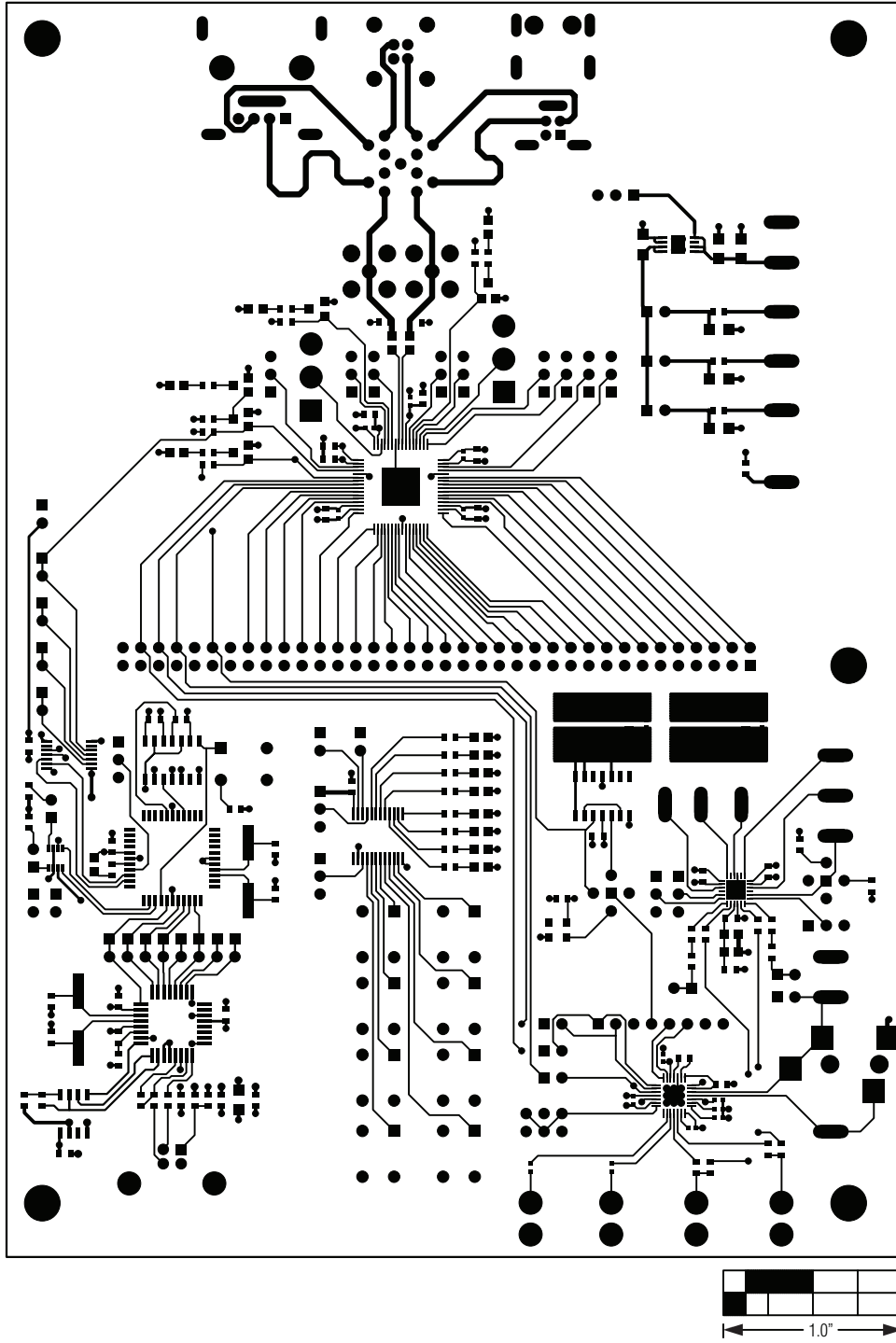


Figure 10. MAX9260 EV Kit PCB Layout—Component Side

# MAX9260 Evaluation Kit

Evaluates: MAX9260

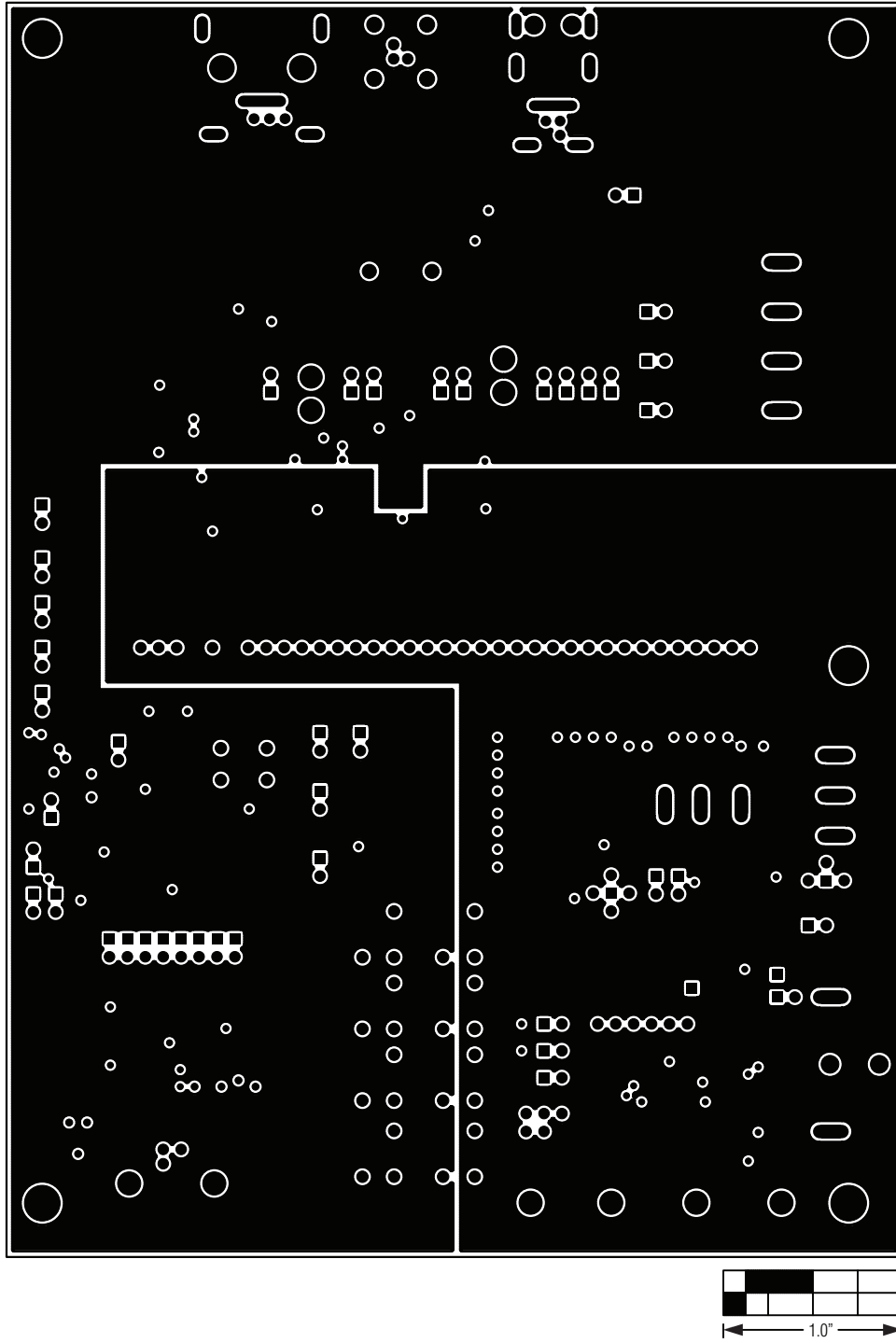


Figure 11. MAX9260 EV Kit PCB Layout—Ground Layer 2



# MAX9260 Evaluation Kit

Evaluates: MAX9260

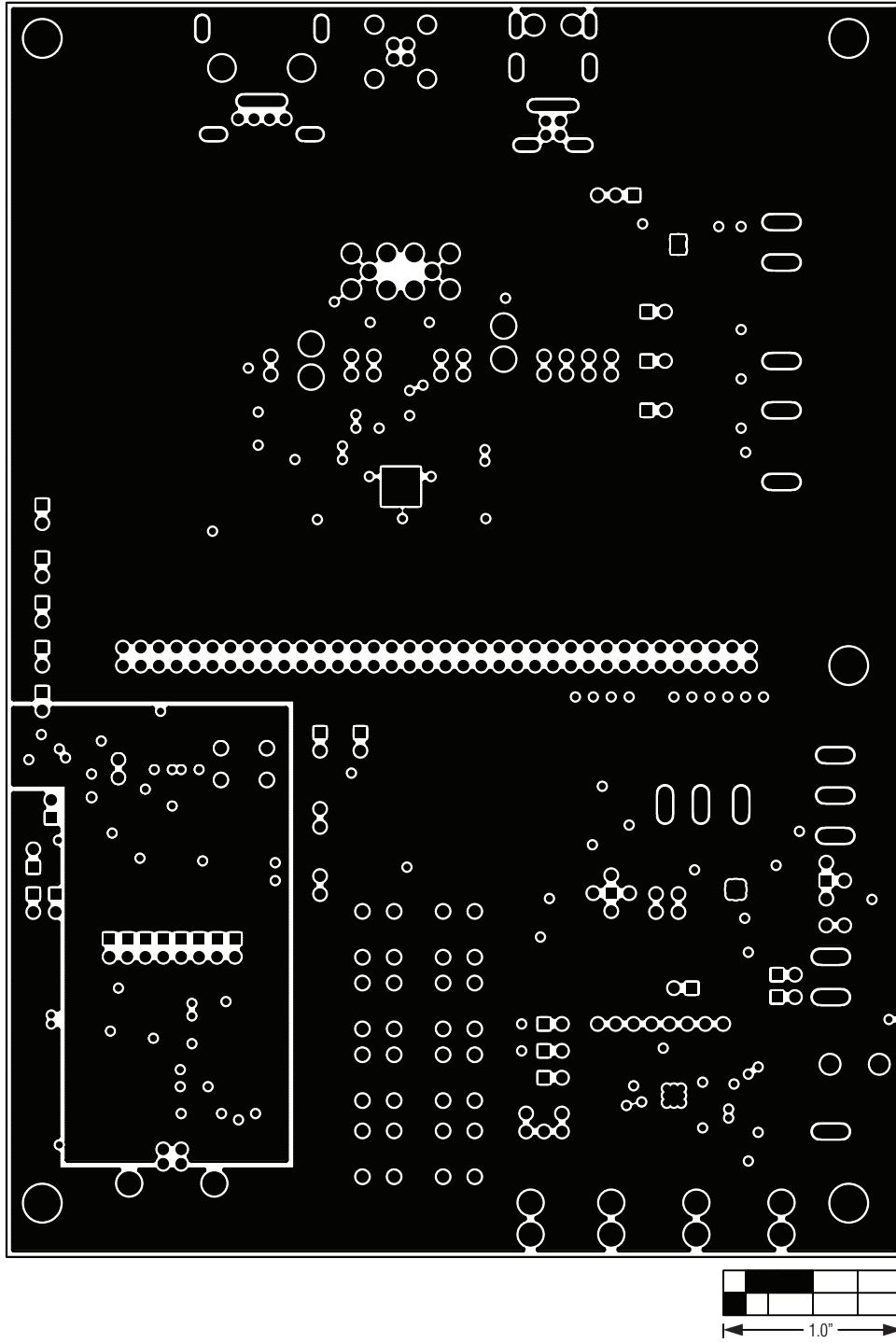


Figure 12. MAX9260 EV Kit PCB Layout—Power Layer 3

# MAX9260 Evaluation Kit

Evaluates: MAX9260

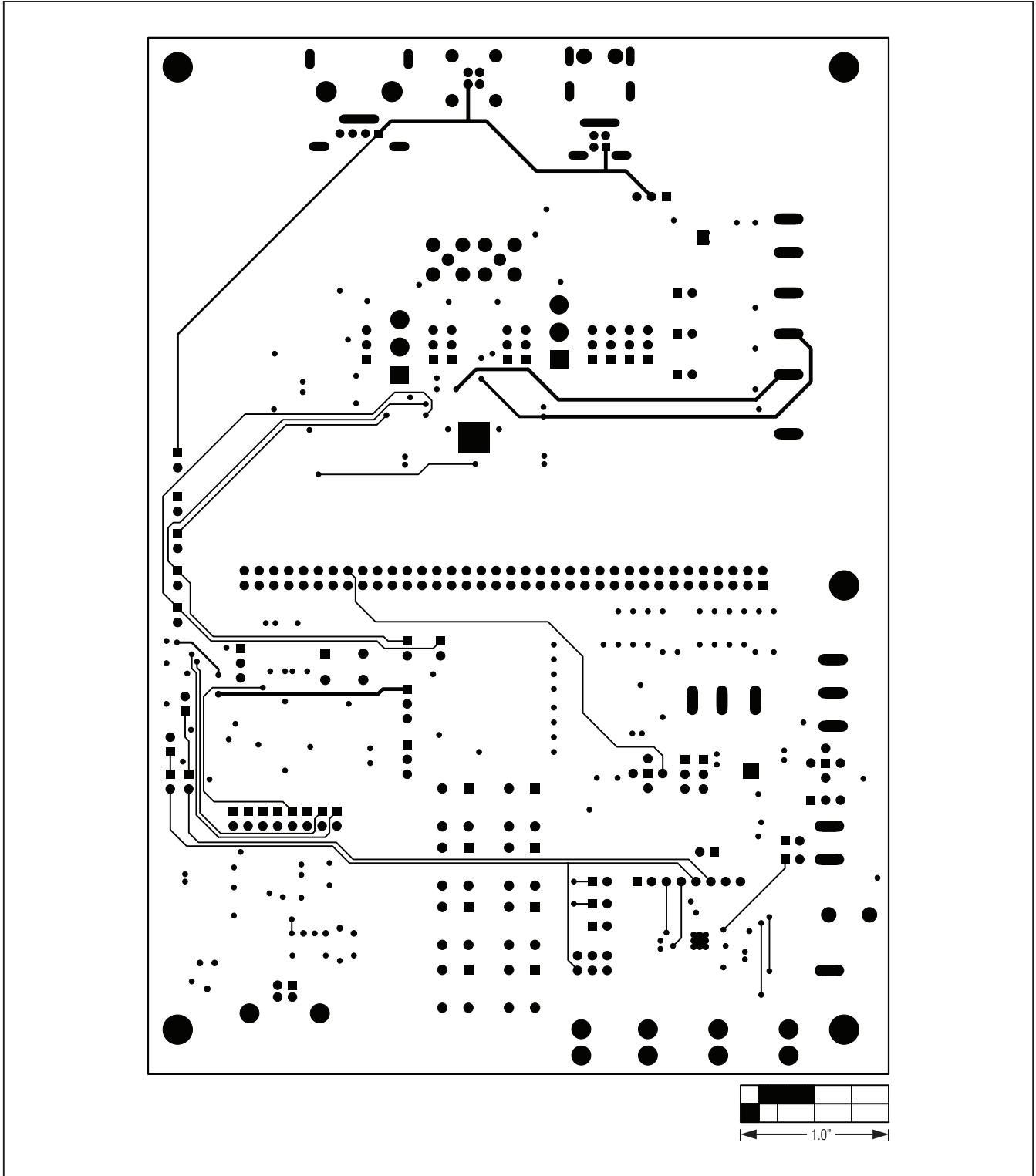


Figure 13. MAX9260 EV Kit PCB Layout—Solder Side

# MAX9260 Evaluation Kit

## Revision History

REVISION NUMBER	REVISION DATE	DESCRIPTION	PAGES CHANGED
0	10/09	Initial release	—
1	4/10	Updated jumper JU10 in Table 1	8
2	12/10	Updated jumper JU8 in Table 1 and replaced Figure 7	8, 17

Evaluates: MAX9260

Maxim cannot assume responsibility for use of any circuitry other than circuitry entirely embodied in a Maxim product. No circuit patent licenses are implied. Maxim reserves the right to change the circuitry and specifications without notice at any time.

Maxim Integrated Products, 120 San Gabriel Drive, Sunnyvale, CA 94086 408-737-7600 \_\_\_\_\_ 27