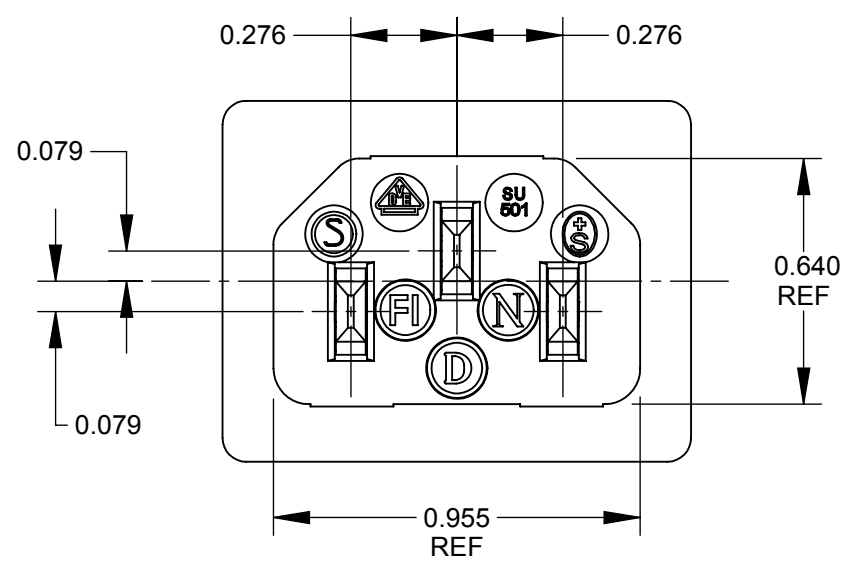
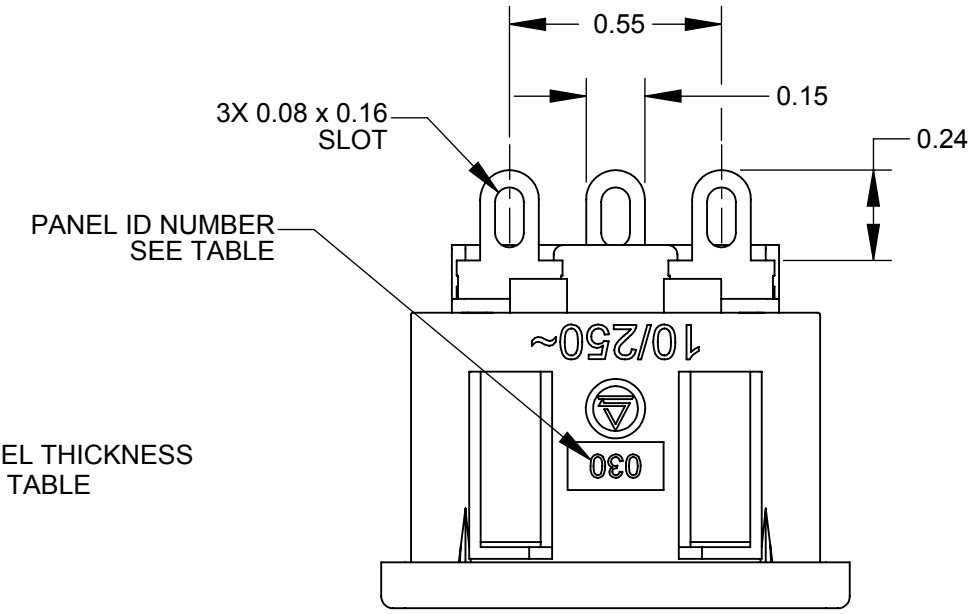
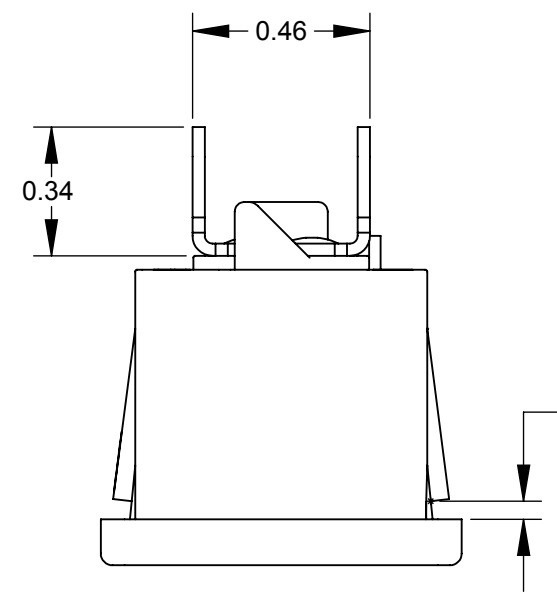
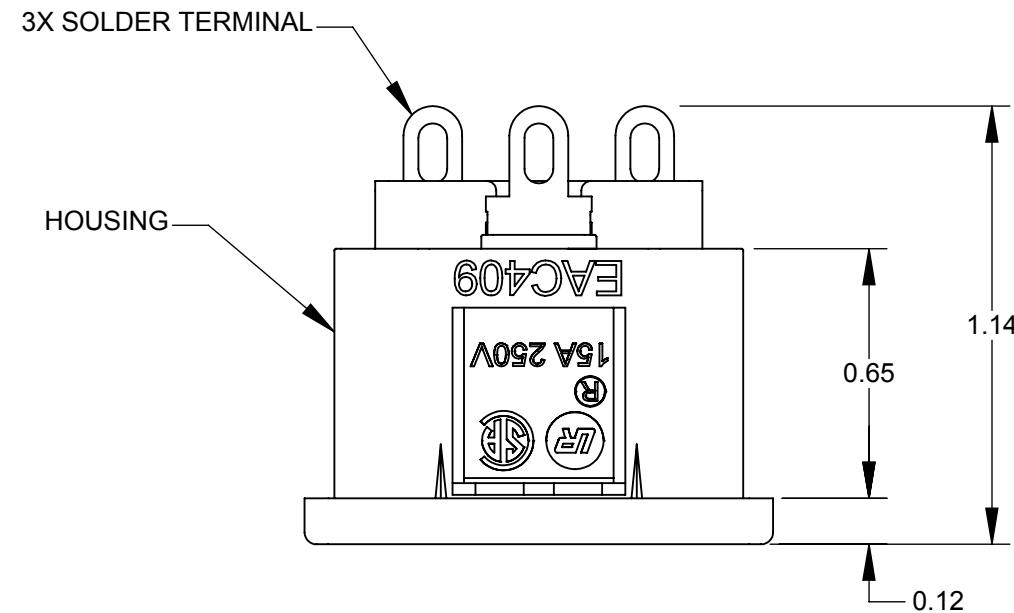
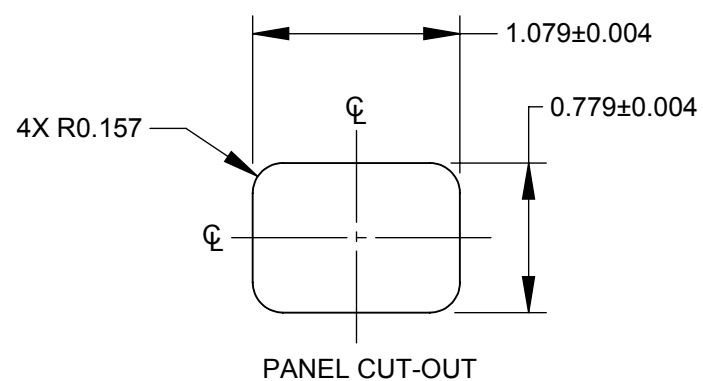
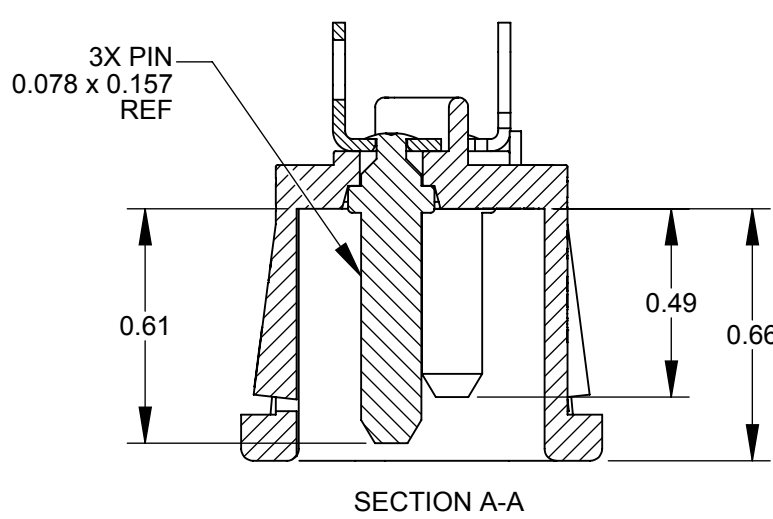
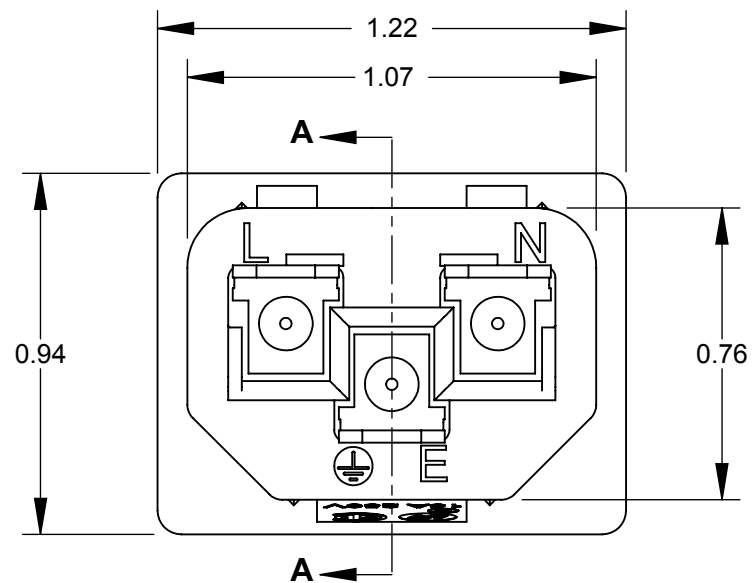
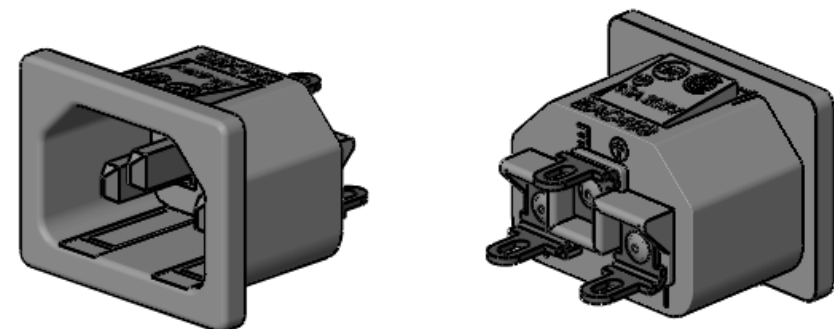


PART NUMBER	PANEL ID NUMBER	PANEL THICKNESS
EAC409030	030	0.030 - 0.040
EAC409040	040	0.040 - 0.050
EAC409050	050	0.050 - 0.060
EAC409060	060	0.060 - 0.070



- NOTES:
1. AGENCY APPROVAL & RATING:
UL & CSA: 15A 250V
VDE, SEMKO, NEMKO, DEMKO
SETI AND SEV: 10A, 250V
 2. MEETS IEC 60320 SPECIFICATION
 3. MATERIALS:
HOUSING: BLACK POLYESTER
TERMINALS: TIN PLATED COPPER ALLOY
CONTACT PINS: TIN PLATED COPPER ALLOY



CUSTOMER DRAWING

REV	ECO NUMBER	DATE	BY	APVD
M	26912	02/16/12	BL	TJK
L	24129	03/27/02	BL	TJK
REVISIONS				

UNLESS OTHERWISE SPECIFIED

1. ALL DIMENSIONS IN INCHES

- TWO PLACE DECIMALS ±0.02

- THREE PLACE DECIMALS ±0.005

DO NOT SCALE DRAWING

THIS DRAWING DESCRIBES A DESIGN CONSIDERED PROPRIETARY IN NATURE, DEVELOPED AND MANUFACTURED BY SWITCHCRAFT INC. AND IS RELEASED ON A CONFIDENTIAL BASIS FOR IDENTIFICATION PURPOSES ONLY.									
SIZE	WIDTH	MULT	LBS/M	TEMPER					
FINISH					MATERIAL				
SPEC No.					SPEC No.				
FIRST USED ON					SCALE				
					2:1				
DATE DRAWN	BY	CHKD	APVD						
06/04/84	THS	AM	RV						
			02/23/87	02/23/87					
NAME					PART No.				
SNAP-IN MALE					EAC409 SERIES				
AC RECEPTACLE SOLDER TERMINALS					REV				
					M				