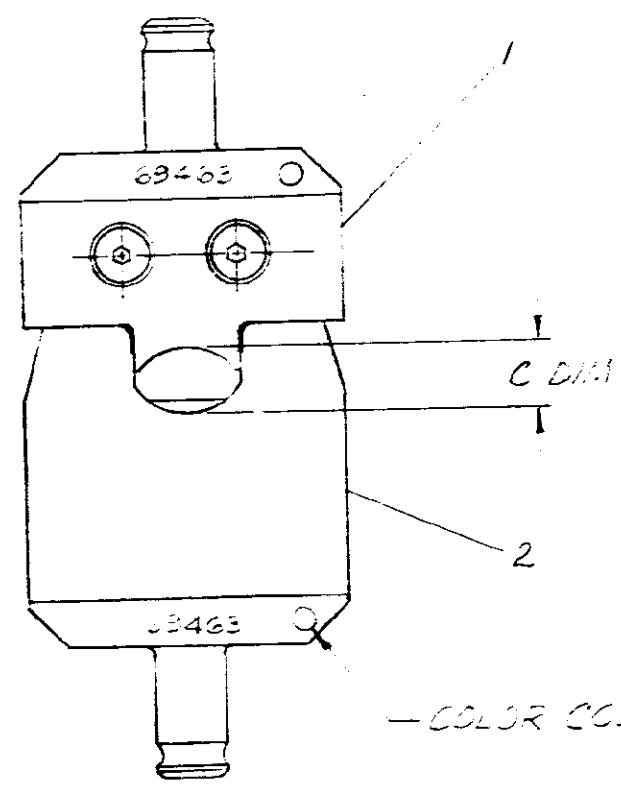
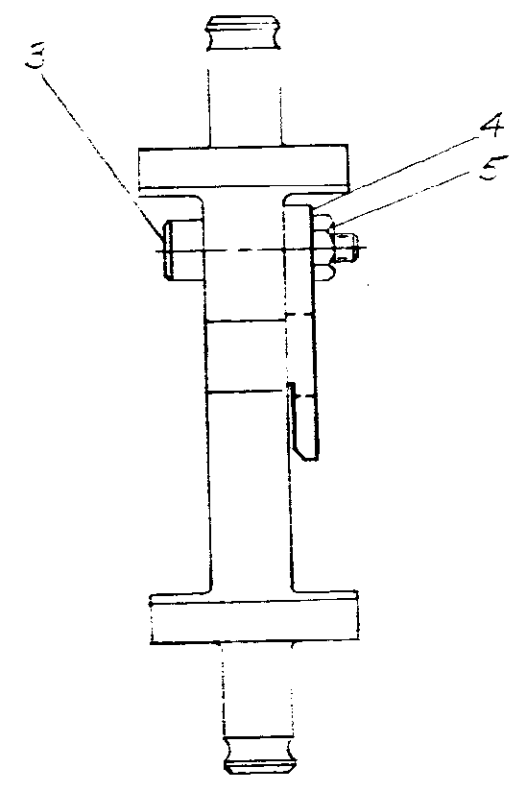


THIS INFORMATION IS CONFIDENTIAL AND IS DISCLOSED TO YOU ON CONDITION THAT NO FURTHER DISCLOSURE IS MADE BY YOU TO OTHER THAN AMP PERSONNEL WITHOUT WRITTEN AUTHORIZATION FROM AMP INCORPORATED, HARRISBURG, PA.

DIMENSIONS IN INCHES. DO NOT SCALE. PRINT



-COLOR CODED: YELLOW




C DIM	
GO	INS GO
.363	.373

USE GAUGE DIMENSIONS APPLY WHEN TOOL IS ESTIMATED BUT NOT UNDER PRESSURE.

REVISION	DESCRIPTION	BY	DATE
C	REVISED	BS	9-7-67
B	REVISED	BS	5-20-65
A	REVISED	CCO EJP	1-2-65
LTR	REVISION RECORD	DR	CHK DATE

QTY	DESCRIPTION
4	
3	
2	
1	

QTY	DESCRIPTION	ITEM NO
2	21015-6 NOT	5
1	B 59768-2 STOP	4
2	2-21000-9 SCREW	3
1	C 2-305323-2 1. CENTER	2
1	C 2-305323-2 1. 1 -	1

DWG SIZE	NUMBER	NAME	REMARKS	ITEM NO
©1964 BY AMP INCORPORATED. ALL RIGHTS RESERVED. AMP PRODUCTS COVERED BY PATENTS AND OR PATENTS PENDING.			CUSTOMER COPY REFERENCE ONLY	
DR J. Curran 10-27-64	MATERIAL AND FINISH		 AMP INCORPORATED HARRISBURG, PENNA.	
CHK EJP 1-12-65	WIRE - RANGE - INSULATION		CLASS	
DE	4		C-PI. HEAVY DUTY	
APP	TOLERANCE EXCEPT AS NOTED = .015	SCALE = 1" = 0"	LOC	NO 69463
	NAME		DIE ASSEMBLY	