

THIS DRAWING IS UNPUBLISHED.

RELEASED FOR PUBLICATION

2009

© COPYRIGHT 2009 BY -

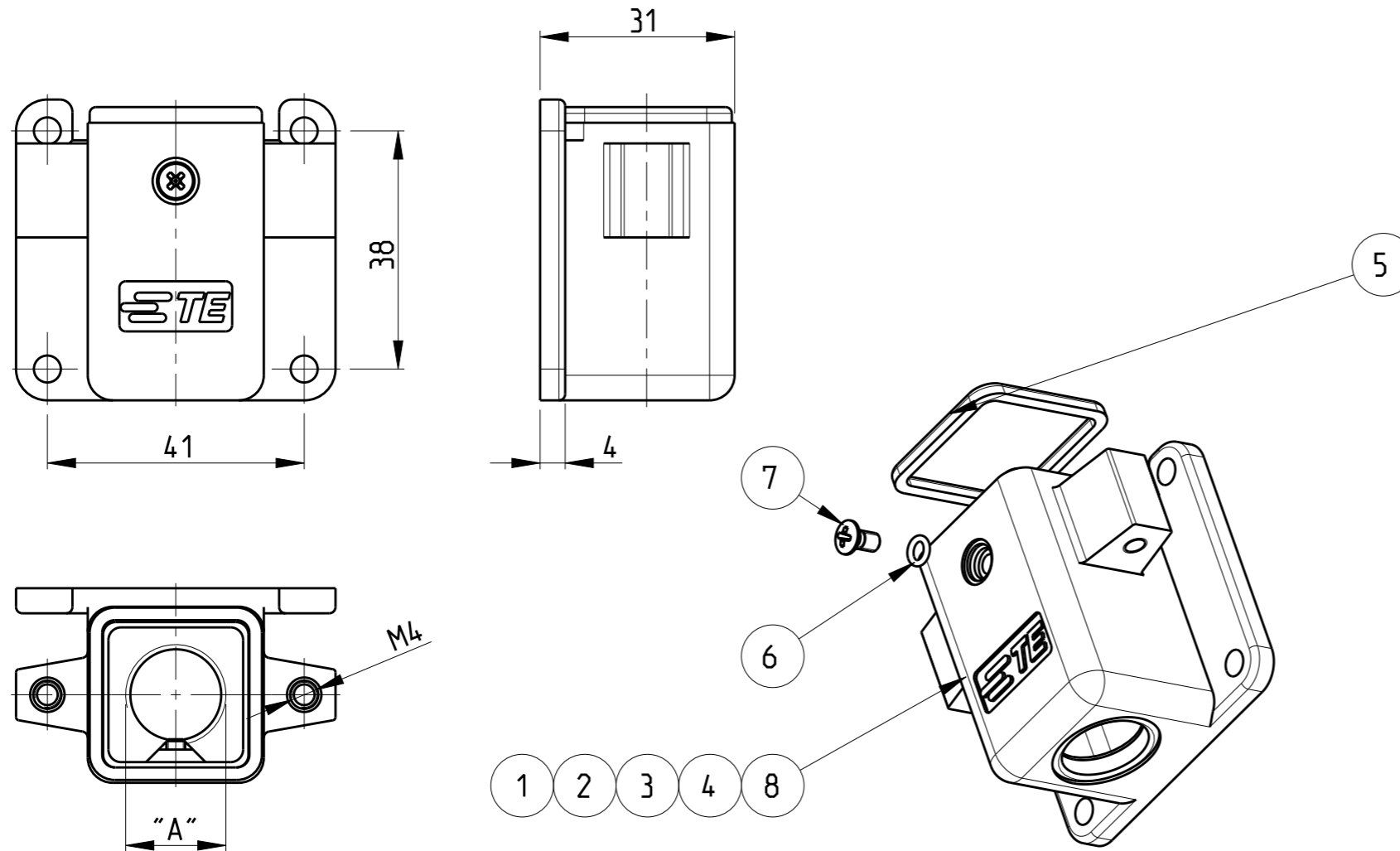
ALL RIGHTS RESERVED.

REVISIONS

| P | LTR | DESCRIPTION | DATE | DWN | APVD |
|----|-----|---------------|-----------|-----|------|
| A5 | | ECR-09-023155 | 22OCT2009 | VG | AR |
| A6 | | ECR-10-009777 | 17MAY2010 | SR | AR |
| B | | ECR-16-001983 | 20MAY2016 | GCM | JB |

Notes

- 1 SUITABLE HOUSINGS: SERIES EMV, SIZE 1
CUSTOMER DRAWING 1102700, 1106402, 1106200
- 2 STANDARDS:
DIN EN 61984, DIN EN 60664-1
- 3 SUR TEC 650 CHROMIT AL TCP PASSIVATION
- 4 TOOL:
PHILLIPS SCREWDRIVER PH1.
- 5 VARNISH ON INSIDE AREA NOT NECESSARY
- 6 PACKAGING:
10 SETS IN A CARTON.



PN 0-1 AS SHOWN

| PN/QTY | DESCRIPTION | "A" | MATERIAL | COLOR/SURFACE | NOTE | ITEM |
|-----------|------------------------------|-----|-------------------|------------------|---------------------------|------|
| 1 | ANGLED BULKHEAD HOUSING | | ALU | BLACK | SERIES EMV-K WITHOUT LOGO | 8 |
| 1 1 1 1 1 | SREW COUNTERSUNK RAISED HEAD | - | STAINL. STEEL V2A | - | M3x6 PH1 DIN EN ISO 7047 | 7 |
| 1 1 1 1 1 | O - RING | - | NBR | BLACK | 3.0x1.0 | 6 |
| 1 1 1 1 1 | PROGFILE SEAL | - | FKM | BLACK | SERIES EMV / HIP | 5 |
| - 1 - - | ANGLED BULKHEAD HOUSING | M20 | ALU | BLACK SEE NOTE 3 | SERIES EMV-K | 4 |
| 1 - - - | ANGLED BULKHEAD HOUSING | M20 | ALU | GREY | SERIES EMV-K | 3 |
| - - 1 - | ANGLED BULKHEAD HOUSING | M16 | ALU | BLACK SEE NOTE 3 | SERIES EMV-K | 2 |
| - - - 1 | ANGLED BULKHEAD HOUSING | M16 | ALU | GREY | SERIES EMV | 1 |

PARTS LIST (PER ONE UNIT)

| | |
|----------|----------------------|
| 0-5 | EMV-K.3/4.SG-N |
| 0-4 | EMV.3/4.SG.1.M20.G |
| 0-3 | EMV-K.3/4.SG.1.M20.G |
| 0-2 | EMV-K.3/4.SG.1.M16.G |
| 0-1 | EMV.3/4.SG.1.M16.G |
| PART NO. | ORDERING TEXT |

| | | | | | | | | | | | | | | |
|---|----|-----------------------------|---------------------|---|---|-------|---|-------|---|-------|---|-------|---|--------|
| THIS DRAWING IS A CONTROLLED DOCUMENT. | | DWN V.GLUMM 26AUG2009 | TE Connectivity | | | | | | | | | | | |
| DIMENSIONS: mm | | CHK H.Braun 26AUG2009 | | | | | | | | | | | | |
| TOLERANCES UNLESS OTHERWISE SPECIFIED: | | APVD T.Schnurfeil 26AUG2009 | | | | | | | | | | | | |
| <table border="0"> <tr><td>0 PLC</td><td>±</td></tr> <tr><td>1 PLC</td><td>±</td></tr> <tr><td>2 PLC</td><td>±</td></tr> <tr><td>3 PLC</td><td>±</td></tr> <tr><td>4 PLC</td><td>±</td></tr> <tr><td>ANGLES</td><td>±°</td></tr> </table> | | 0 PLC | | | ± | 1 PLC | ± | 2 PLC | ± | 3 PLC | ± | 4 PLC | ± | ANGLES |
| 0 PLC | ± | | | | | | | | | | | | | |
| 1 PLC | ± | | | | | | | | | | | | | |
| 2 PLC | ± | | | | | | | | | | | | | |
| 3 PLC | ± | | | | | | | | | | | | | |
| 4 PLC | ± | | | | | | | | | | | | | |
| ANGLES | ±° | | | | | | | | | | | | | |
| MATERIAL | | FINISH | NAME | ANGLED BULKHEAD HOUSING ASS'Y SIDE ENTRY, SERIES EMV, SIZE 1 | | | | | | | | | | |
| - | | - | SIZE | A3 | | | | | | | | | | |
| - | | - | CAGE CODE | 00779 | | | | | | | | | | |
| - | | - | DRAWING NO | C-1106401 | | | | | | | | | | |
| - | | - | RESTRICTED TO | - | | | | | | | | | | |
| - | | - | SCALE | 1:1 | | | | | | | | | | |
| - | | - | SHEET | 1 OF 1 | | | | | | | | | | |
| - | | - | REV | B | | | | | | | | | | |