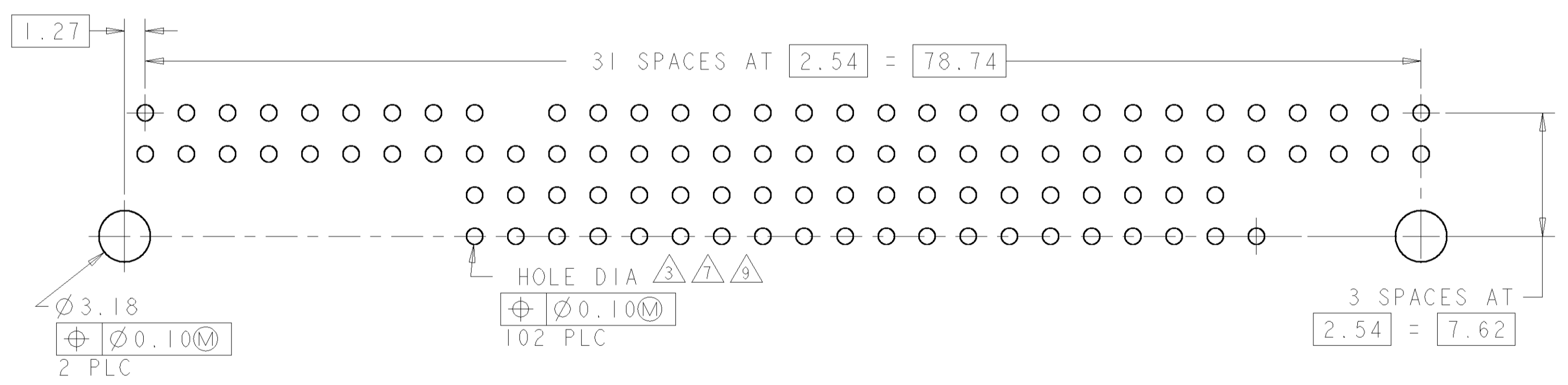
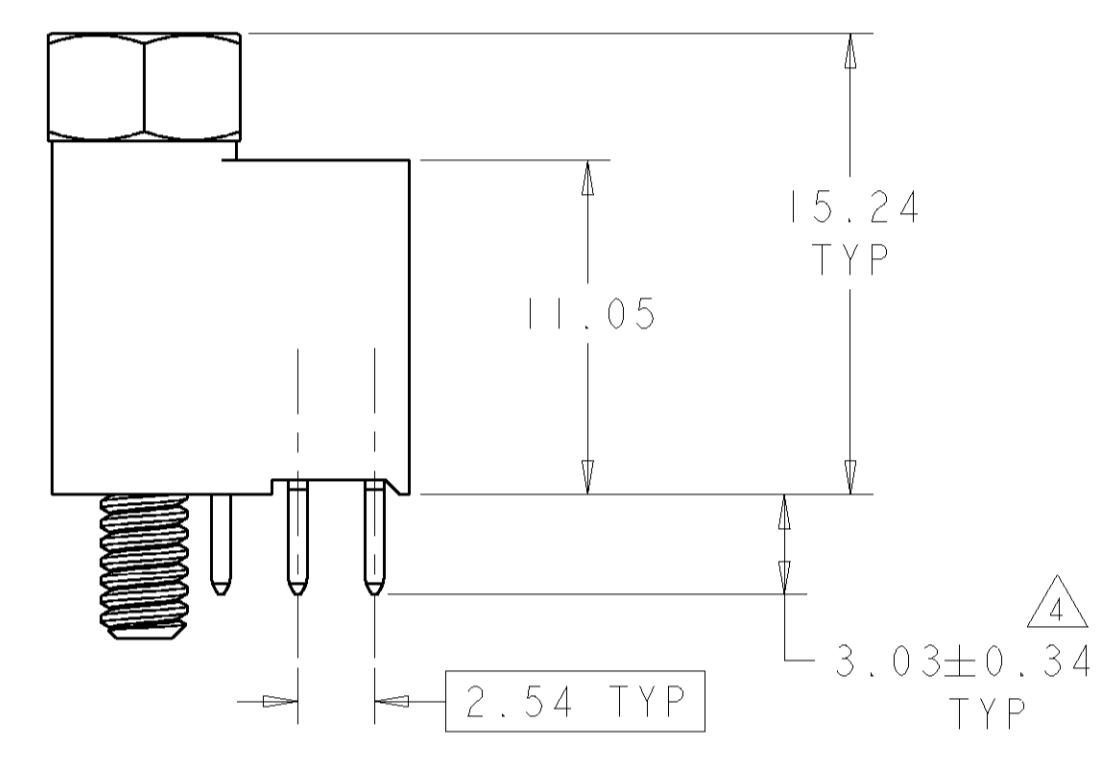
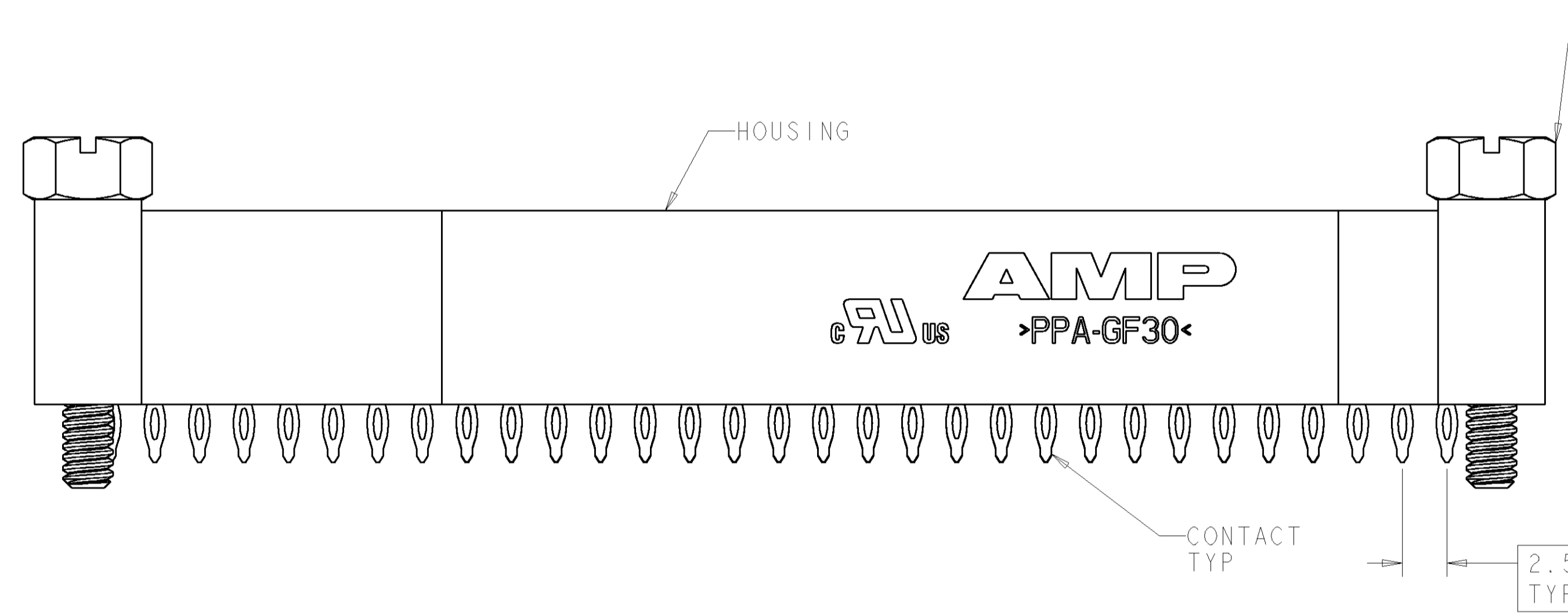
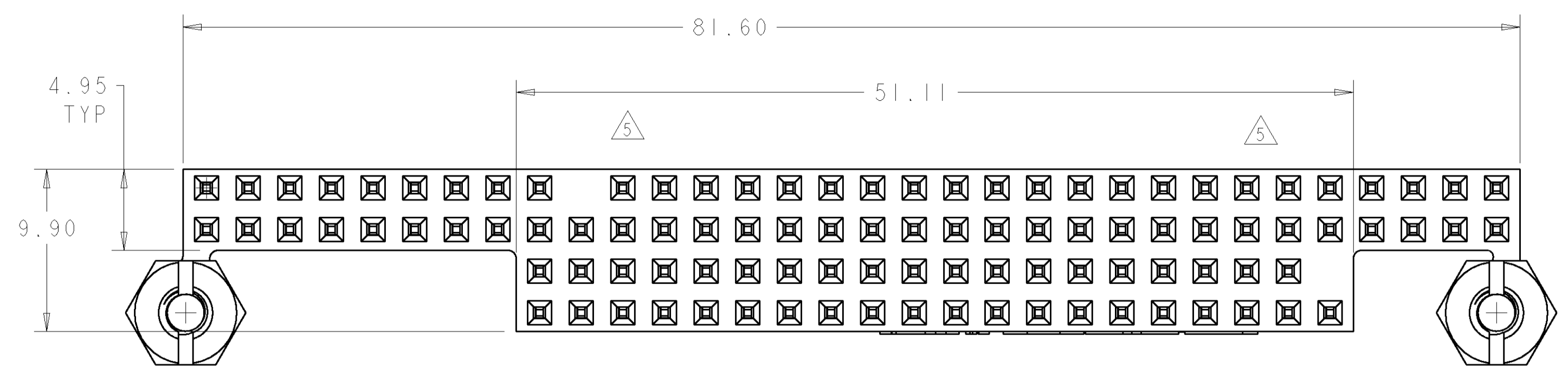
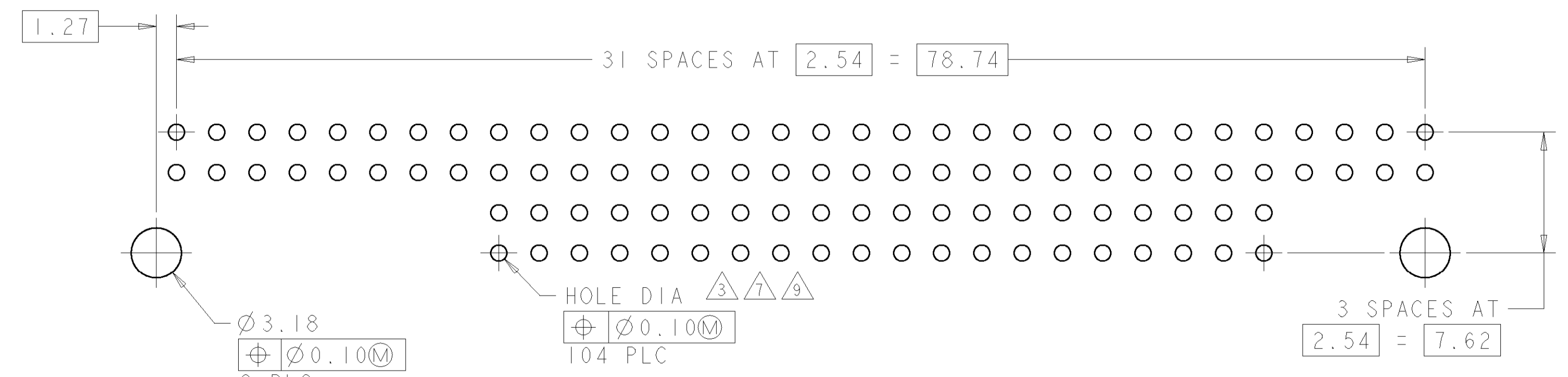


| LOC | DIST | REVISIONS | | | | | |
|-----|------|-----------|-----|---------------|-----------|-----|------|
| AD | 00 | P | LTR | DESCRIPTION | DATE | DWN | APVD |
| | | D | | ECO-06-7871 | 28SEP2006 | MB | JO |
| | | E | | ECO-07-006955 | 11APR2007 | RB | JO |



RECOMMENDED PCB LAYOUT FOR 1375794-1 & -3



RECOMMENDED PCB LAYOUT FOR 1375794-2 & -4

- △ HOUSING: HIGH TEMPERATURE, GLASS FILLED NYLON, COLOR: BLACK.
CONTACTS: PHOSPHOR BRONZE.
SCREWLOCKS: STEEL.
- △ CONTACTS: 0.00038 MIN GOLD ON MATING RECEPTACLE END, 0.00254 BRIGHT TIN-LEAD ON REMAINDER, ALL OVER 0.00127 NICKEL.
SCREWLOCKS: CLEAR CHROMATE OVER ZINC.
- △ PCB HOLE RECOMMENDATIONS:
A. DRILL HOLE DIAMETER TO BE 1.15±0.02.
B. PLATING TO BE 0.005 MIN TIN-LEAD OVER 0.025-0.075 COPPER.
C. RECOMMENDED FINISH HOLE SIZE IS 1.03±0.08.
- △ DIMENSION AFTER SEATING TO PCB.
- △ NO CONTACT IN THIS POSITION, FOR PART NUMBER 1375794-1 & -3, ONLY
- △ CONTACTS: 0.00038 MIN GOLD ON MATING RECEPTACLE END, 0.00254-0.00508 MATTE TIN ON REMAINDER, ALL OVER 0.00127 NICKEL.
SCREWLOCKS: CLEAR CHROMATE OVER ZINC.
- △ PCB HOLE RECOMMENDATIONS FOR SILVER IMMERSION PLATING:
A. DRILL HOLE DIAMETER TO BE 1.20±0.02.
B. PLATING TO BE 0.0001524-0.0004064 SILVER OVER 0.0508±0.0254 COPPER.
C. RECOMMENDED FINISH HOLE SIZE IS 1.10-1.19.
- △ TO BE USED ON SILVER IMMERSION PLATED PCB'S (NOTE 7).
- △ PCB HOLE RECOMMENDATIONS FOR ENIG PLATING:
A. DRILL HOLE DIAMETER TO BE 1.20±0.02.
B. PLATING TO BE 0.000051-0.000127 GOLD OVER 0.00305-0.00610 NICKEL ALL OVER 0.0508±0.0254 COPPER.
C. RECOMMENDED FINISH HOLE SIZE IS 1.10-1.19.
- △ TO BE USED ON STANDARD PCB (NOTE 3) OR ENIG PLATED PCB (NOTE 9).

| FINISH | KEYED CIRCUITS | PART NO |
|--------|----------------|-----------------|
| 8 | 6 | NO 1375794-4 |
| 6 | 6 | YES 5 1375794-3 |
| 10 | 2 | NO 1375794-2 |
| 10 | 2 | YES 5 1375794-1 |

| | | | | | | | |
|-------------|--|--|--|-----------------------------|--|---|--|
| DIMENSIONS: | | TOLERANCES UNLESS OTHERWISE SPECIFIED: | | DWN: W.G. LENKER 02JUN2000 | | Tyco Electronics | |
| mm | | 0 PLC ± | | ENR: L.BREKOSKY 15JAN2001 | | Harrisburg, PA 17105-3608 | |
| Ø | | 1 PLC ±0.13 | | APVD: - | | NAME: ASSEMBLY, PC/104, NON-STACKTHROUGH CONTACTS, 2 STANDOFFS, PRESS FIT | |
| MATERIAL | | FINISH | | PRODUCT SPEC: 108-1956 | | SIZE: CAGE CODE: DRAWING NO: RESTRICTED TO | |
| 1 | | 6/2 | | APPLICATION SPEC: 114-13021 | | A1 00779 C=1375794 | |
| | | | | WEIGHT: - | | SCALE: 4:1 SHEET 1 OF 1 REV E | |
| | | | | CUSTOMER DRAWING | | | |