

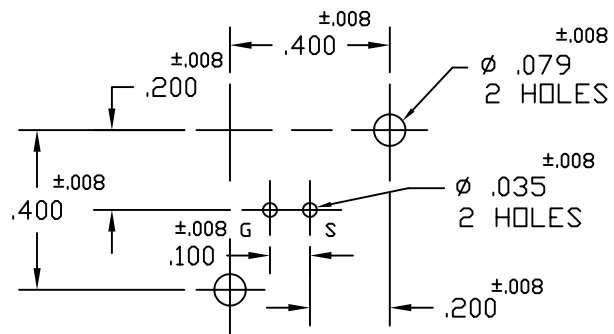
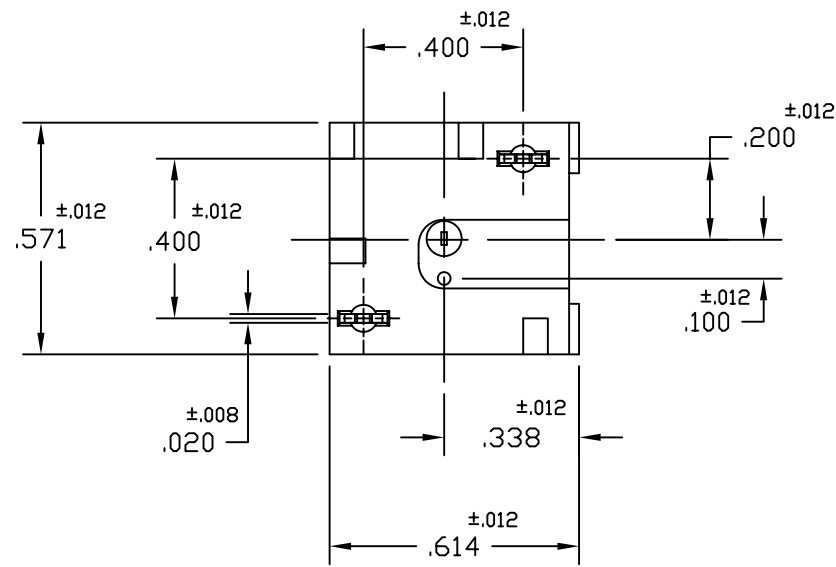
NOTES:

- MATERIAL: OUTER INSULATOR CASING - BLACK VALOX
INSULATOR - WHITE NORYL
CENTER CONTACT - GOLD PLATED PHOSPHOR BRONZE
BODY - NICKEL PLATED ZINC CASTING
MOUNTING LEGS - TIN PLATED
TERMINALS - TIN PLATED COPPER WIRE
LOCKWASHER - NICKEL PLATED BRASS
HEX NUT - NICKEL PLATED S50C
- WHEN ASSEMBLING TO PANEL, MOUNTING HARDWARE (SEPARATELY SUPPLIED) MUST BE TIGHTENED TO 10 IN LBS. MIN., 15 IN LBS. MAX.
- DO NOT SCALE THIS DRAWING.
- UNLESS OTHERWISE SPECIFIED, ALL DIMENSIONS ARE AFTER PLATING.

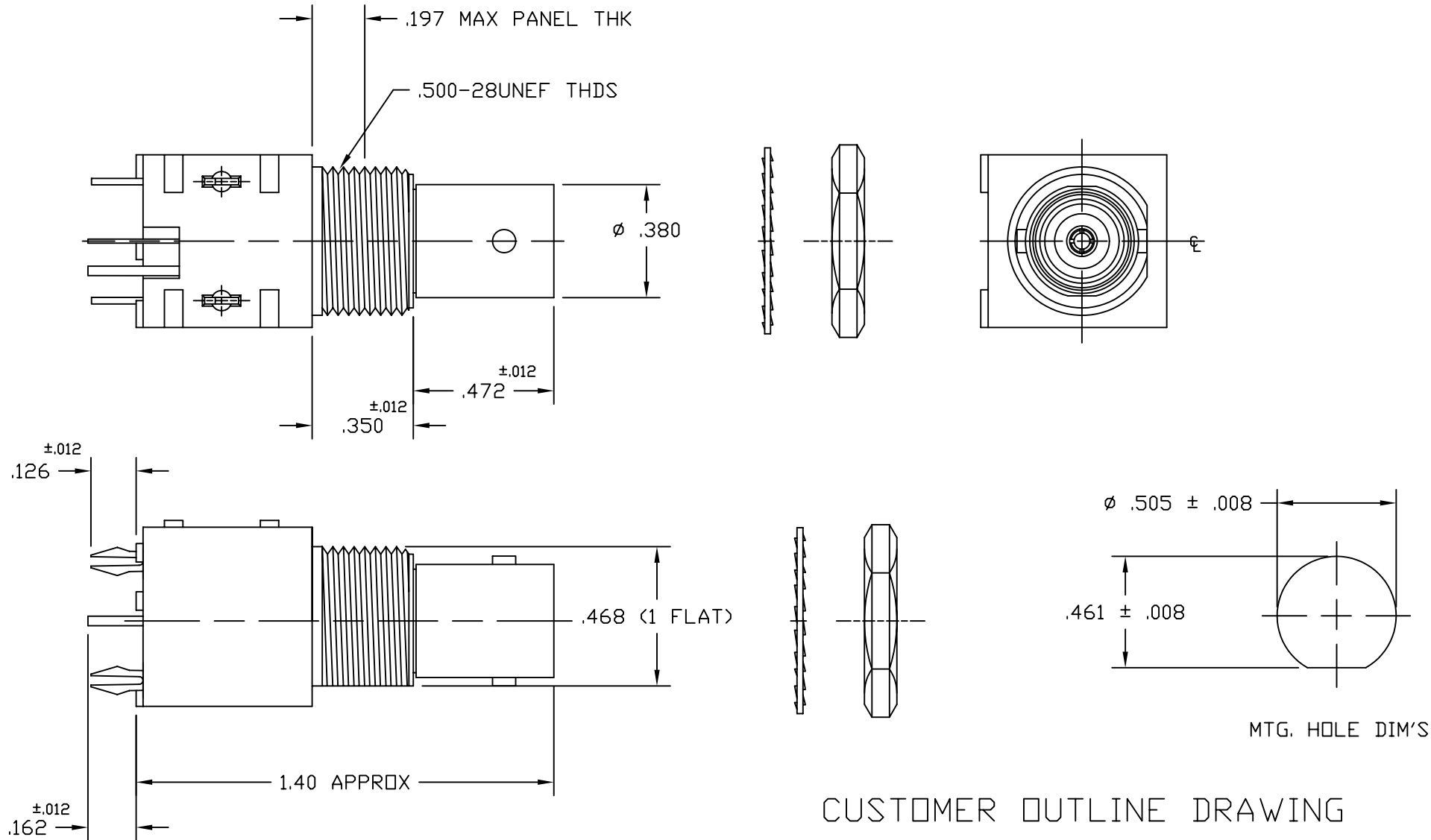
31-5539-RFX

REVISIONS

DRAWING NO.	REV	DESCRIPTION	DATE	ECO	APPR
THIRD ANGLE PROJ.	A	RELEASE TO MFG.	7/7/05	45623	CPM/



PC HOLE MTG



CUSTOMER OUTLINE DRAWING

ALL OTHER SHEETS ARE FOR INTERNAL USE ONLY

UNLESS OTHERWISE SPECIFIED, DIMENSIONS ARE IN INCHES AND TOLERANCES ARE:
2 PLACE DECIMAL 3 PLACE DECIMAL ANGLES
±.015 (0,381 mm) ±.005 (0,127 mm) ± 1°

NOTICE - These drawings, specifications, or other data (1) are, and remain the property of Amphenol Corp. (2) must be returned upon request; and (3) are confidential and not to be disclosed to any person other than those to whom they are given by Amphenol Corp. The furnishing of these drawings, specifications, or other data by Amphenol Corp., or to any other person to anyone for any purpose is not to be regarded by implication or otherwise in any manner licensing, granting rights or permitting such holder or any other person to manufacture, use or sell any product, process or design, patented or otherwise, that may in any way be related to or disclosed by said drawings, specifications, or other data.

MATERIAL	DRAWN	DATE	TITLE
	C. McGRATH	5/18/05	BNC JACK VERT. MOUNT PCB RECEPT (BLK)
REFERENCE	ENGINEER	DATE	
	D. BARTHELMES	5/18/05	
	APPROVED	DATE	
	M. HOYACK	6/29/05	
	CAD FILE	CODE ID	DWG SIZE
	H:\DEPT611\BNC\031\ASSY\5539\RFXSH2.DWG	74868	B

DRAWING NO.	DATE	DRAWING NO.	ISSUE
31-5539-RFX	7/7/05	31-5539-RFX	A

SCALE: 2:1	SHEET 2 OF 2
------------	--------------

Amphenol
Amphenol Corporation
RF/Microwave Operations
Danbury, Conn. U.S.A. 06810