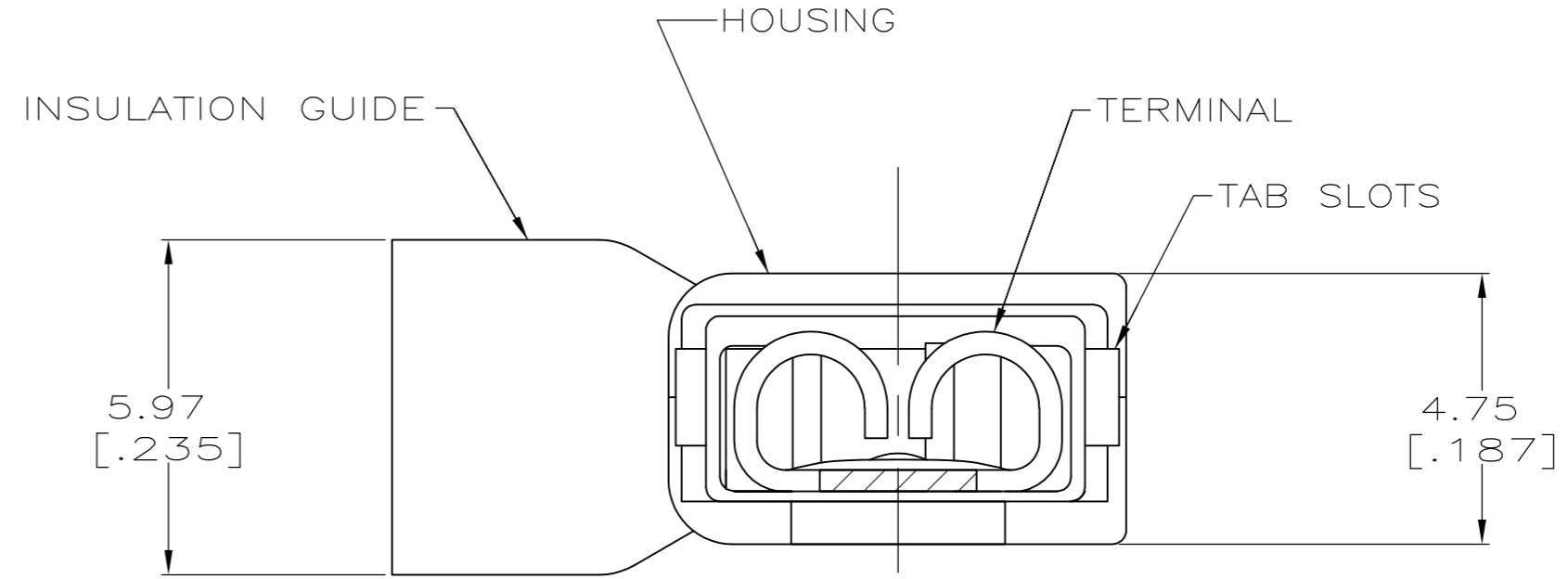
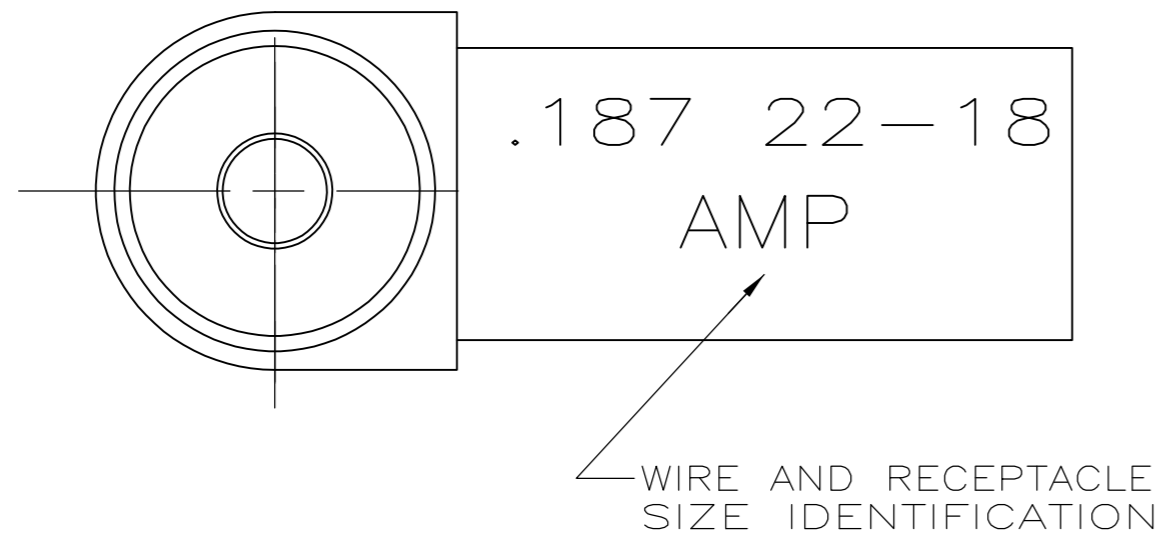
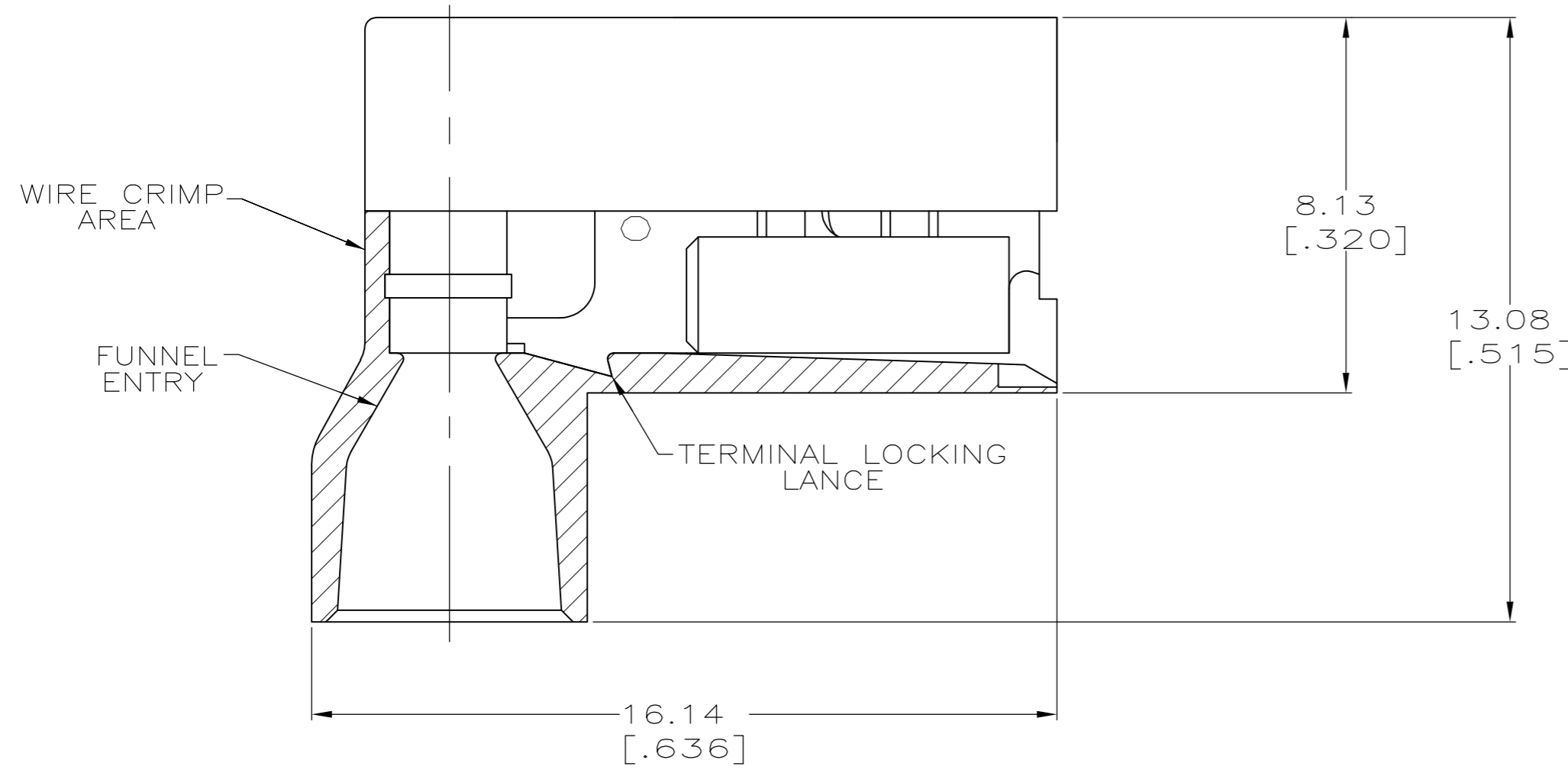


THIS DRAWING IS UNPUBLISHED. RELEASED FOR PUBLICATION
 © COPYRIGHT - By - ALL RIGHTS RESERVED.

LOC		DIST		REVISIONS			
P	LTR	DESCRIPTION		DATE	DWN	APVD	
AF	50	J1	REVISED PER ECO	11-008224	27JUL12	JR	RL

- 1 FITS 0.51±0.025 X 4.75 [.020±.001 X .187] TAB
- 2 WIRE SIZE: 0.3-0.9mm² [22-18 AWG], STRANDED ONLY.
STRIP LENGTH 7.14 [.281]
- 3 INSULATION SIZE: 4.19 [.165] MAX DIA.
- 4 SUPPLIED AS LOOSE PIECE



OBSOLETE	TYPE 6/6 NYLON	RED TRANSLUCENT	0.41 [.016] #4H PH BRZ	TIN	2-520335-4
	TYPE 6/6 NYLON	RED TRANSLUCENT	0.41 [.016] #4H BRASS	TIN	2-520335-2
	MATERIAL	COLOR	MATERIAL	FINISH	PART NO
	HOUSING		TERMINAL		
THIS DRAWING IS A CONTROLLED DOCUMENT.			DWN P FORTNEY 8/10/90	 TE Connectivity RECEPTACLE ASSEMBLY, ULTRA-FAST FLAG, 4.75 [.187] SERIES, LOOSE PIECE	
DIMENSIONS: mm [INCHES]			CHK MS FEHER 8/23/90		
TOLERANCES UNLESS OTHERWISE SPECIFIED:			APVD D BRATINA 8/23/90		
0 PLC ± - 1 PLC ± - 2 PLC ± 0.38 [.015] 3 PLC ± - 4 PLC ± - ANGLES ± -			PRODUCT SPEC 108-2043		
MATERIAL SEE TABLE			APPLICATION SPEC 114-2123	SIZE A2	CAGE CODE 00779
FINISH SEE TABLE			WEIGHT -	DRAWING NO C=520335	RESTRICTED TO -
CUSTOMER DRAWING				SCALE 8:1	SHEET 1 OF 1
				REV J1	