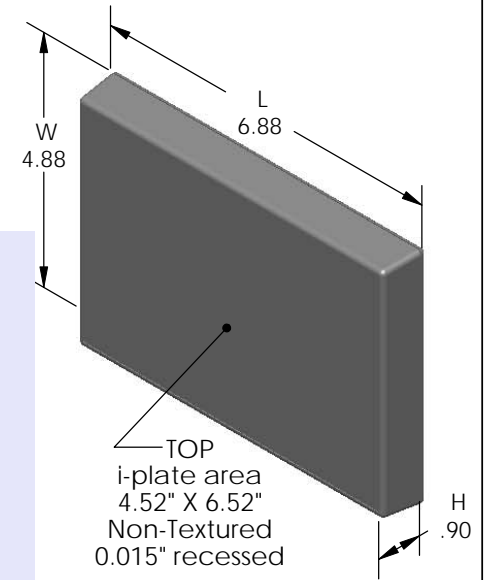
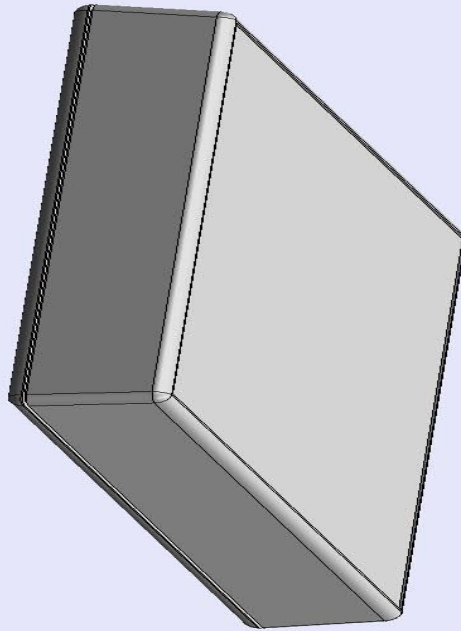


SERPAC 071i (exploded isometric)

Electronic Enclosures

- Click on image to show toolbar. Use ▶ || to Play/Pause Animation.
- Left click and drag on image to move 3D model.



- a) Zoom in & out with center wheel.
- b) Pause at any moment to view and or print views.
- c) Change the views to ortho and section views if needed from the Views pull down menu.
- d) Explore options included in the tool bar like: Views, Transparency of model, Lighting type, etc.

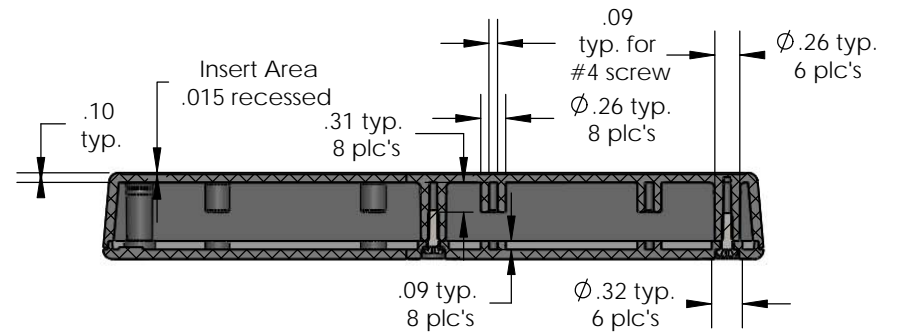
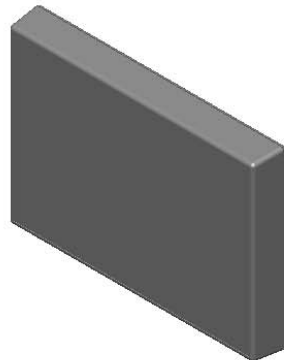
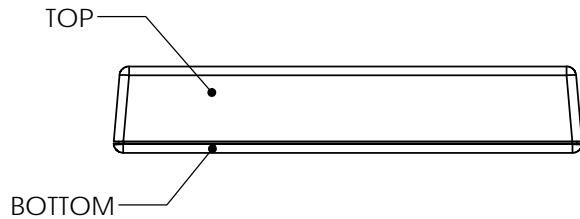
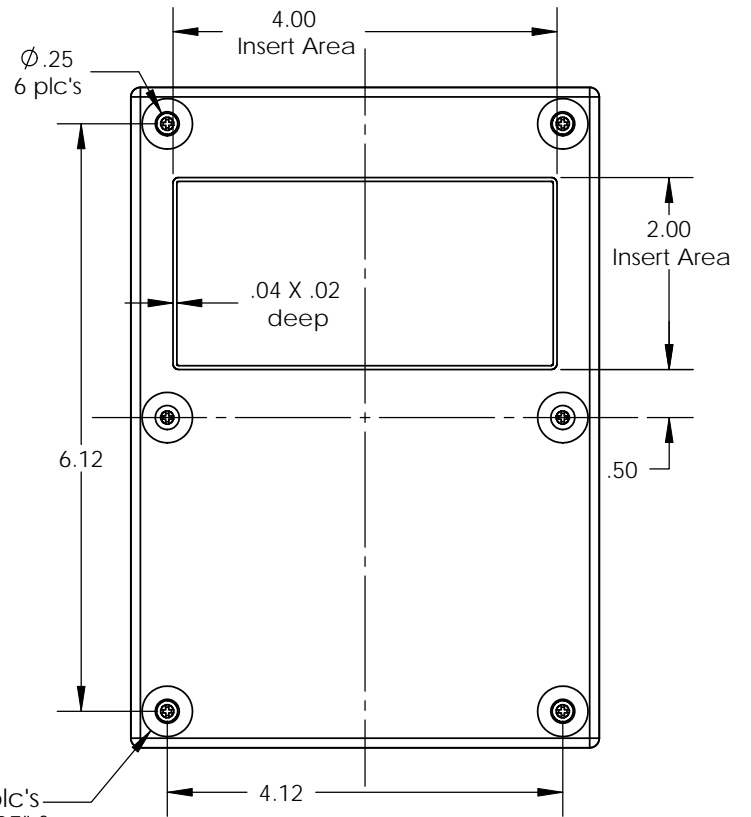
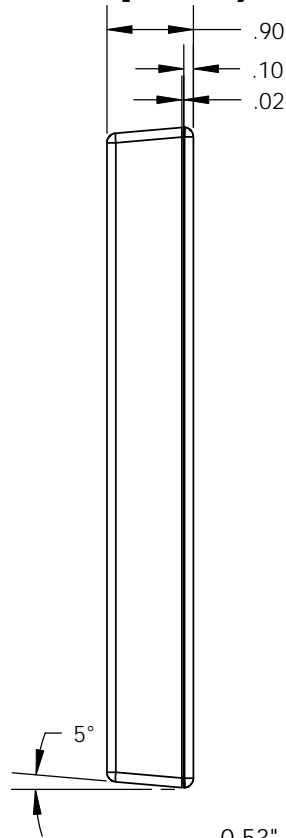
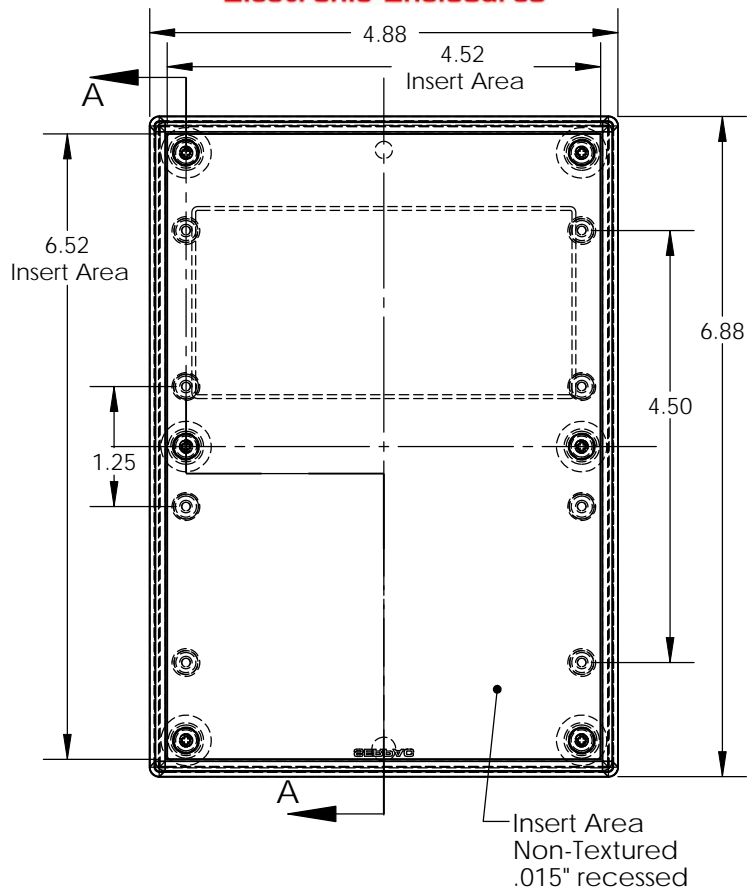
| PART NO. | DESCRIPTION (Included) | ACCESSORIES (Optional) | |
|----------|--------------------------|------------------------|----------------------|
| 7-1-i | TOP | PART NO. | DESCRIPTION |
| 07 | BOTTOM | 51 | Non-skid Feet |
| 6005 | #4X3/8" Self tapping (6) | 370 | Prototype grid board |
| | | 470 | Prototype clad board |

Notes: Enclosure weight .34 lbs / 154 gm
 1) Enclosure meets or exceeds IP40 and NEMA 1
 2) Circuit Board drawings can be download at:
<http://www.serpac.com/Accessories/CircuitBoard/drawings/370-470.pdf>
 3) All components are RoHS Compliant.

ALL DIMENSIONS ARE ±.010" 3/17/10 (1 of 2)
619 Commercial Ave. Covina, CA 91723
 Ph. (626) 331-0517 Fx. (626) 331-8584 serpac.com

SERPAC 071i (user print)

Electronic Enclosures



SECTION A-A
SCALE 1 : 2

| PART NO. | DESCRIPTION (Included) | ACCESSORIES (Optional) | |
|----------|--------------------------|------------------------|----------------------|
| 7-1-i | TOP | PART NO. | DESCRIPTION |
| 07 | BOTTOM | 51 | Non-skid Feet |
| 6005 | #4X3/8" self tapping (6) | 370 | Prototype grid board |
| | | 470 | Prototype clad board |

- Notes:
- Enclosure weight .34 lbs /154 gm
 - Enclosure meets or exceeds IP40 and NEMA 1
 - Circuit Board drawings can be download at: <http://www.serpac.com/Accessories/CircuitBoard/drawings/370-470.pdf>
 - All components are RoHS Compliant.