

Key Features

- GSM & 3G compatible
- Aesthetic puck shape design
- Adhesive base
- Gain of 2dBi



General Description

The Alpha 15 is supplied with 3M adhesive base that provide a secure fix onto many different surfaces, such as; metallic, plastic, glass and wooden making the Alpha 15, and other antennas in Alpha range, very versatile.

The Alpha 15 is tuned to the quad band GSM and the 3G frequencies, allowing for worldwide use. As standard, this antenna is supplied with an adhesive base. The Alpha 15 can also be made with either a magnetic or screw threaded base for volume orders.

Supplied with a 2.5 meter RG174 cable and an SMA male connector as standard. Siretta welcomes custom cable lengths and connectors with volume orders. Please send your customised enquiries to sales@siretta.co.uk.

Additional Considerations

- Supplied as standard with adhesive base
- Magnetic and screw base options
- Intended for indoor use
- Quad band GSM & 3G compatible so is capable of worldwide use
- RoHS compliant

Rev 1.2

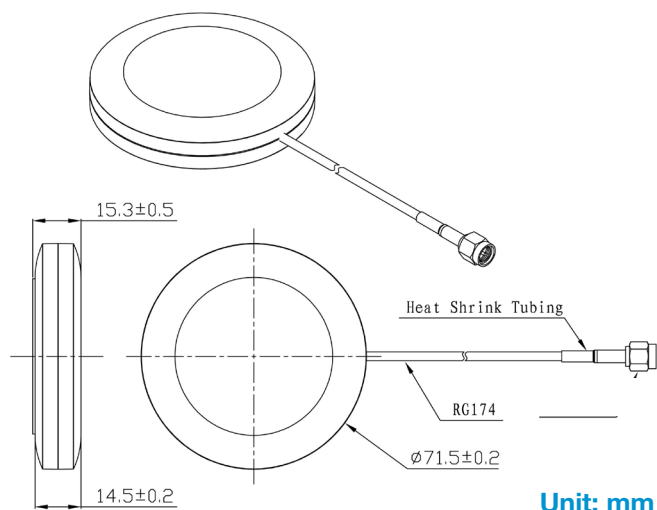
Key Specifications - Electrical

| | |
|------------------|------------------------------|
| Impedance: | 50 ohm |
| Gain: | 2dBi (Zenith) |
| V.S.W.R: | <2.5 |
| Frequency range: | 824 ~ 960, 1710 ~ 2170MHz |
| Polarization: | Linear |

Key Specifications - Environmental

| | |
|---------------------------|---|
| Operating temperature: | -40 to +85°C |
| Vibration: | 10 to 55Hz with 1.5mm amplitude 2hours |
| Relative humidity: | Up to 95% |
| Environmentally friendly: | RoHS Compliant |

Dimensions



Key Specifications - Mechanical

| | |
|------------------|------------------------|
| Dimensions: | (see drawing overpage) |
| Cable: | RG174 or others |
| Connector: | SMA or others |
| Mounting method: | Adhesive |
| Radome material: | ABS |

Gain

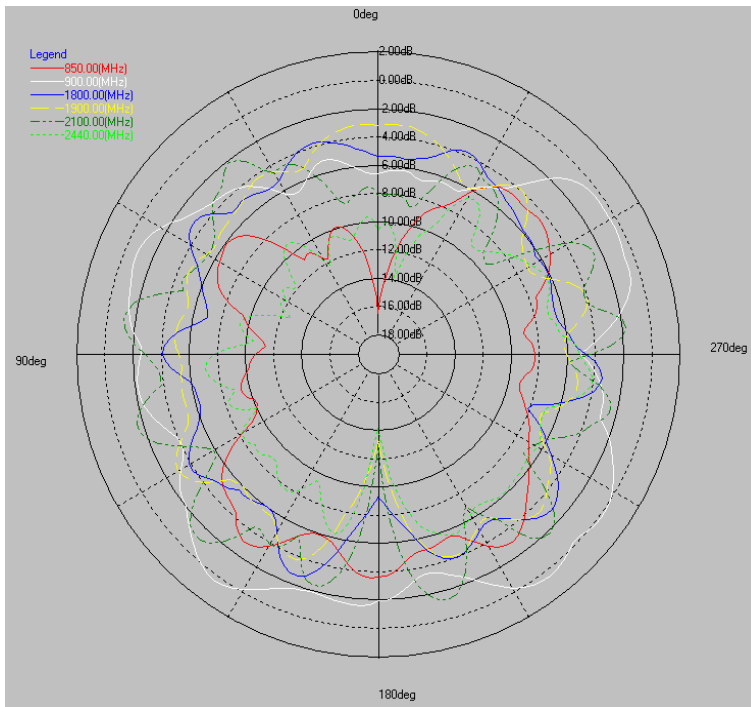
GSM

| | |
|----------|----------|
| 850MHz: | -3.71dBi |
| 900MHz: | -1.28dBi |
| 1800MHz: | -0.34dBi |
| 1900MHz: | -2.30dBi |

3G

| | |
|----------|----------|
| 2100MHz: | -3.20dBi |
|----------|----------|

Gain vs. Frequency Graph



UL Tested (Basingstoke, UK)
Part: ALPHA15/2.5M/SMAM/S/S/26

Ordering Details

| Part Number | Description |
|--------------------------|---|
| ALPHA15/2.5M/SMAM/S/S/26 | Quad Band GSM and 3G Adhesive Antenna, 2.5m Cable, SMA Female Connector |