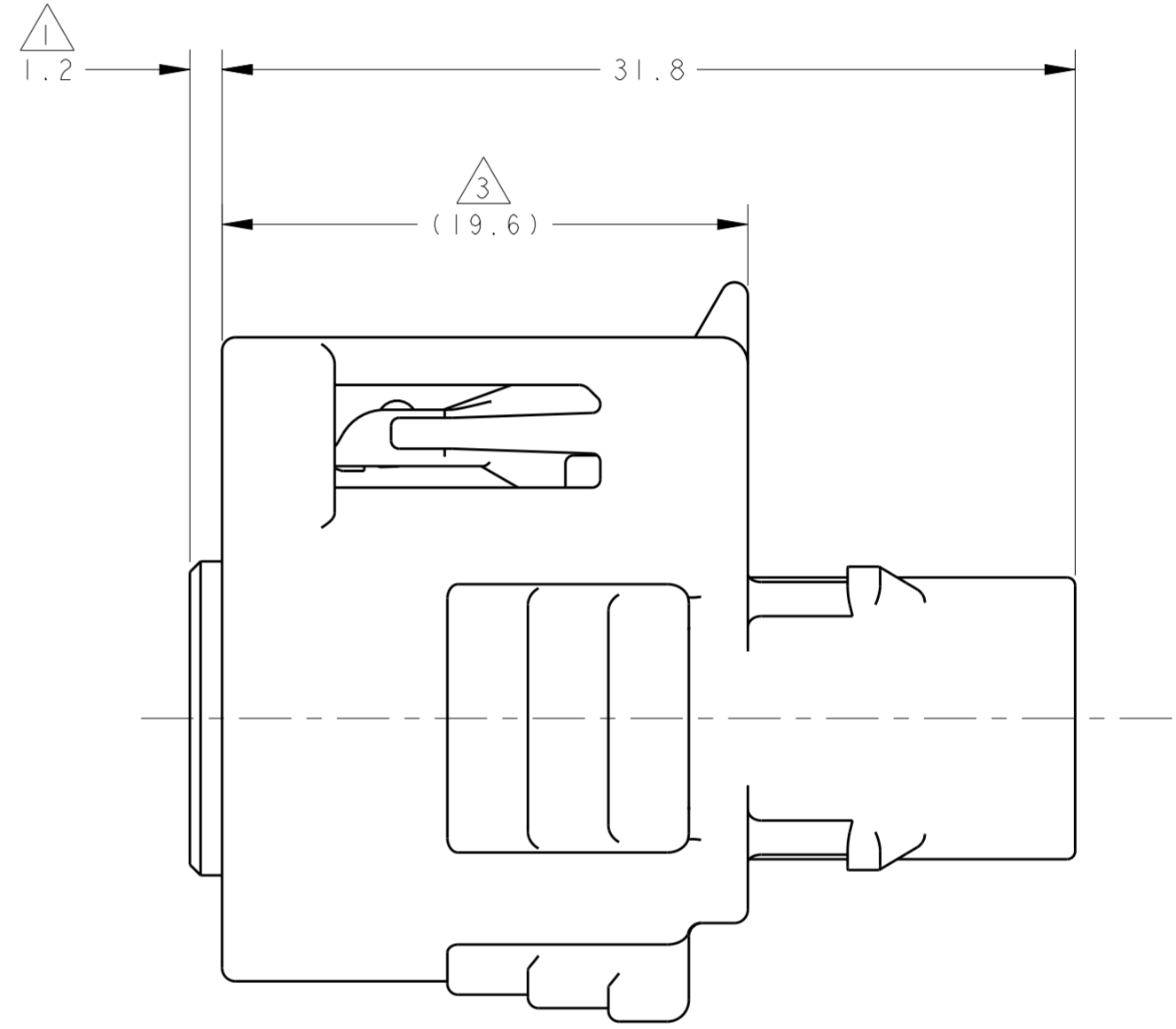
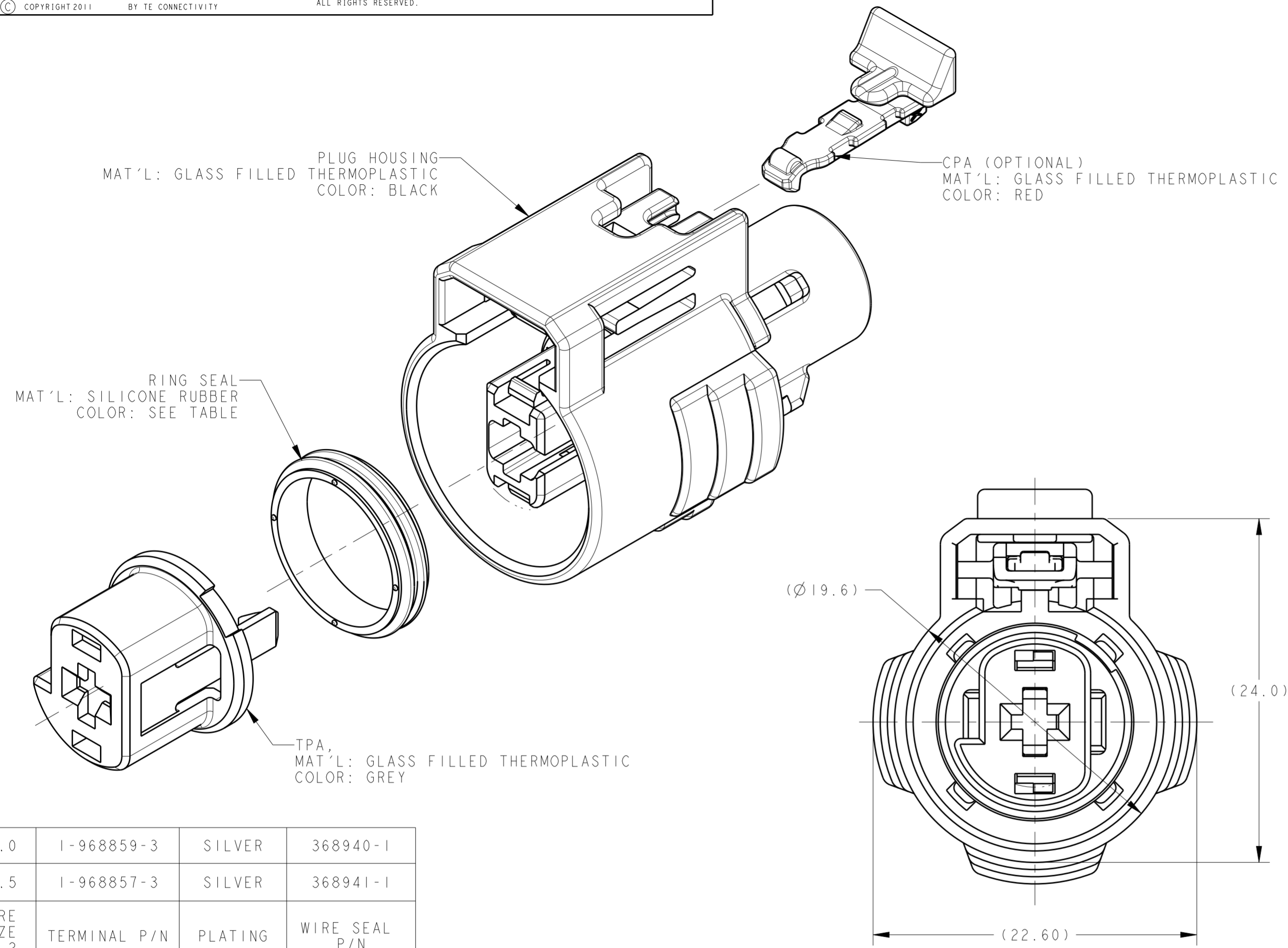


THIS DRAWING IS UNPUBLISHED. RELEASED FOR PUBLICATION 2011
 © COPYRIGHT 2011 BY TE CONNECTIVITY ALL RIGHTS RESERVED.

LOC	DIST	REVISIONS				
P	LTR	DESCRIPTION	DATE	DWN	APVD	
IN	00	A	RELEASED PER ECO-11-007256	07APR2011	AJV	AJV
		AI	REVISED PER ECO-11-011750	07JUN2011	AJV	AJV
		B	REVISED PER ECR-12-001489	26JAN2012	AJV	AJV
		C	REVISED PER ECO-12-019519	12FEB2013	AJV	AJV

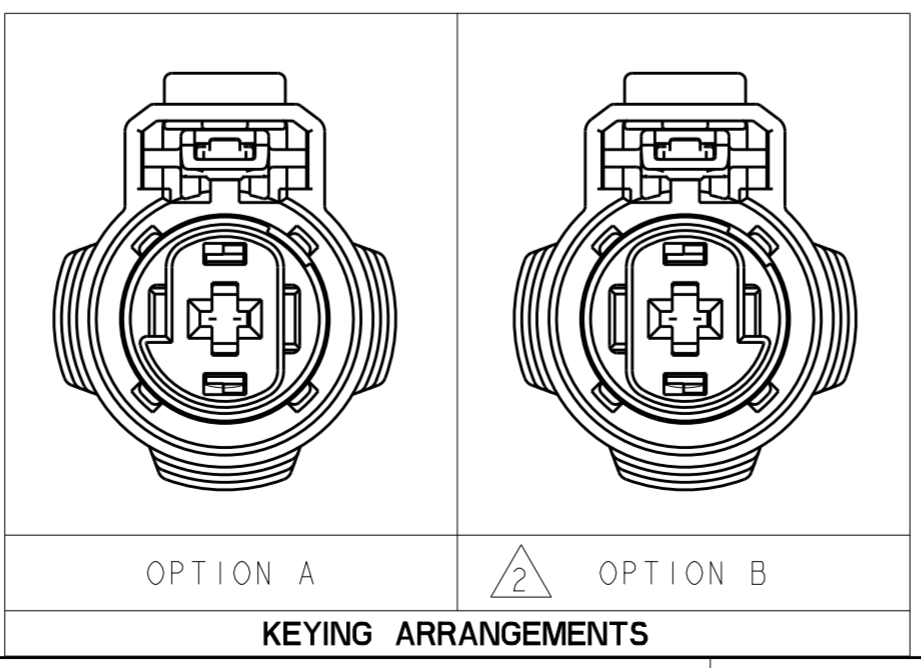


WIRE SIZE (mm ²)	TERMINAL P/N	PLATING	WIRE SEAL P/N
4.0	1-968859-3	SILVER	368940-1
2.5	1-968857-3	SILVER	368941-1

APPLICABLE TERMINALS AND WIRE SEALS

SEAL COLOR	TEMP CLASS	CPA	KEYING OPTION	PART NUMBER
LT. BLUE	4 (155°C)	SUPPLIED	A	2098198-9
RED	4 (155°C)	NOT SUPPLIED	B	2098198-8
RED	4 (155°C)	NOT SUPPLIED	A	2098198-7
RED	4 (155°C)	SUPPLIED	B	2098198-6
RED	4 (155°C)	SUPPLIED	A	2098198-5
LT. BLUE	3 (125°C)	NOT SUPPLIED	B	2098198-4
LT. BLUE	3 (125°C)	NOT SUPPLIED	A	2098198-3
LT. BLUE	3 (125°C)	SUPPLIED	B	2098198-2
LT. BLUE	3 (125°C)	SUPPLIED	A	2098198-1

- NOTES:
- 1 TPA SHIPPED IN POSITION SHOWN. DUE TO BULK PACKAGED ARRANGEMENT, TPA MAY BE MOVED FROM PRE-STAGED TO CLOSED POSITION DURING SHIPMENT. PLEASE REFER TO TE SPEC 408-10416 FOR TPA RESET INSTRUCTIONS.
 - 2 PRELIMINARY - NOT TOOLED
 - 3 CPA SHIPPED IN POSITION SHOWN. CPA COMPONENT COMPLIES WITH ERGONOMIC REOMT'S OF USCAR-25, REV.1 SEPT 2008
 - 4 QUALIFIED TO TEMPERATURE CLASS 4 (155°C) WITH DENSO STARTER DEVICE. TEMPERATURE CLASS 3 (125°C) WITH OTHER MFG'S.
 - 5 OBSOLETE



THIS DRAWING IS A CONTROLLED DOCUMENT.

DWN: J. R. SHUEY 06FEB2009
 CHK: G. M. MARTIN 06FEB2009
 APVD: A. VASBINDER 29MAR2011

TE Connectivity

NAME: PLUG ASSEMBLY, SEALED, 1 POSN MCP 2.8

SIZE: A2 CAGE CODE: 00779 DRAWING NO: C-2098198

SCALE: 4:1 SHEET 1 OF 1 REV C

MATERIAL: SEE CALLOUT

APPLICATION SPEC: 408-10416

CUSTOMER DRAWING