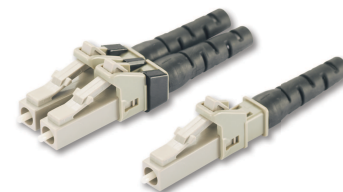


LC Connector for Polymer Coated Fiber (PCF) Industrial Fiber Cables

technical information

Small form-factor simplex or duplex LC connectors are designed for use with graded index, OM1 and OM2, Polymer Coated Fiber (PCF), and are qualified to the general requirements of TIA 568-C.3. Panduit field installable LC connectors attach to the large diameter PCF fiber using simple-to-learn and easy to use Panduit strip, crimp, and cleave attachment tools. Panduit LC connectors for PCF fiber contain a unique push-pull mechanism which is attached to the strain relief boot. Connectors are engaged or disengaged from an INF-8074i (LC) compliant SFP transceiver by pushing or pulling on the connector strain relief boot. This makes fiber connections easier and more reliable inside of a control panel or a difficult to reach area located in machines.



application

Provides easily terminated, equipment-level (direct-attach) fiber optic connections in industrial networks with minimal installer training. For use with Panduit Opti-Core™ IndustrialNet™ Graded Index (OM1 and OM2) PCF Fiber in zip cord and well-built breakout cable configurations.

construction

Interface standards:	TIA/EIA-604-10A Fiber Optic Connector Intermateability Standard, Type LC (FOCIS 10), March 2002 IEC 61754-20 Fiber Optic Interfaces – Part 20: Type LC Connector Family, August 2002
Body style:	Simplex or duplex
Fiber type:	62.5 micron core (OM1); 62.5/200/230 50.0 micron core (OM2); 50/200/230
Cable types	Zip cord (2.2mm outside diameter) Breakout cable (2 and 4 fiber)
Packaging:	Simplex or duplex, 1 per bag or 10 bags per box
Restriction of Hazardous Substances (RoHS) compliance:	All connector components meet the requirements of directive 2002/95/EC
Housing color	International gray
Ferrule material	Zirconia ceramic
Cladding diameter:	200 microns
coating diameter:	230 microns
buffer diameter:	500 microns
Jacket color:	OM1: Orange OM2: Orange Black outer jacket with colored 2.2mm diameter subunits as required (blue, orange, green, brown)

optical properties

Connector insertion loss:	0.9dB avg., 1.7dB max (OM1 and OM2)
Assembly return loss:	Uncontrolled due to being a gapped connector

mechanical properties

Cable retention strength (per TIA 455-6)	22.2N @ 0° with 0.5dB max. increase in insertion loss
Vibration (per GR-326 CORE 4.4.3.1)	1.5mm amplitude continuously sweeping frequency from 10-55Hz for 2 hrs. in each of 3 mutually perpendicular axis with IL limited to 0.5dB max.
Cable flex (per TIA 455-1)	100 cycles @ 4.9N load with IL 1.7dB max.
Mating durability (per TIA 455-21)	500 cycles with IL 1.7dB max.
Cable twist (per TIA 455-36)	10 cycles @ 15N with IL 1.7dB max.

termination

Panduit installation termination tool kit:	PCF-LCFTK
---	-----------

environmental properties

Storage and shipping temperature:	-40°C to 70°C
Operating and installation temperature:	Riser: -10°C to 60°C

standards

Meets or exceeds TIA/EIA-568-C.3, TIA-604-10A (FOCIS-10), IEC 61754-20

LC Connector for Polymer Coated Fiber (PCF) Industrial

part number

Character	1	2	3	4	5	6	7	8
Example	F	L	C	S	H	M	I	G

1 – Fiber Product

F = Fiber

2 and 3 – Connector Type

L = LC connector

4 – Connector Variant

S = Simplex (1 connector)

D = Duplex (2 connectors and duplex clip)

5 – Applicable Fiber

H = Polymer Coated Fiber (PCF)

6 – Fiber Core Type*

M = 62.5µm or 50µm multimode

7 and 8 – Color

IG = International Grey

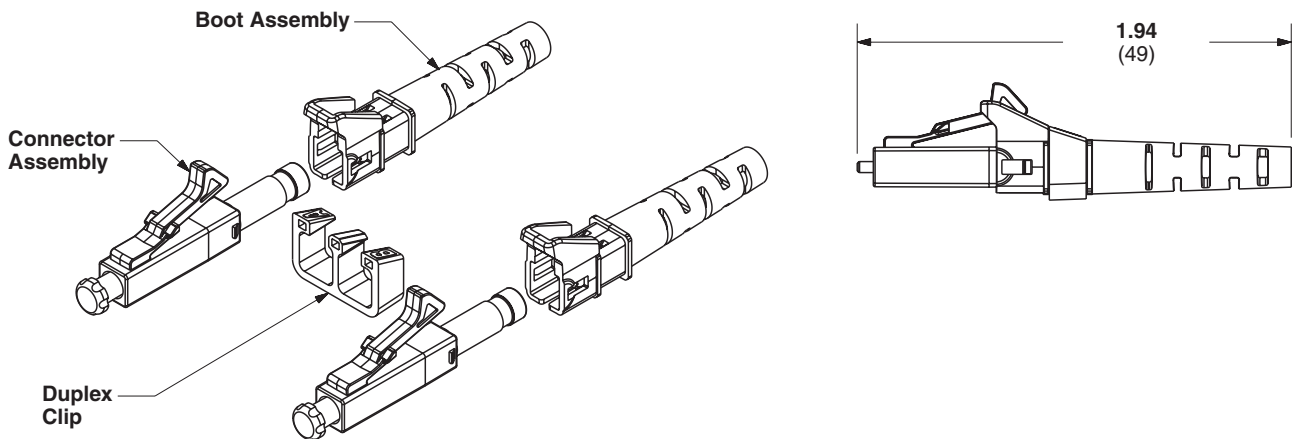
*Panduit Opti-Core™ IndustrialNet™ Fiber Optic Cable:

Zip Cord: FIID102 (OM1 duplex), FIID202 (OM2 duplex)

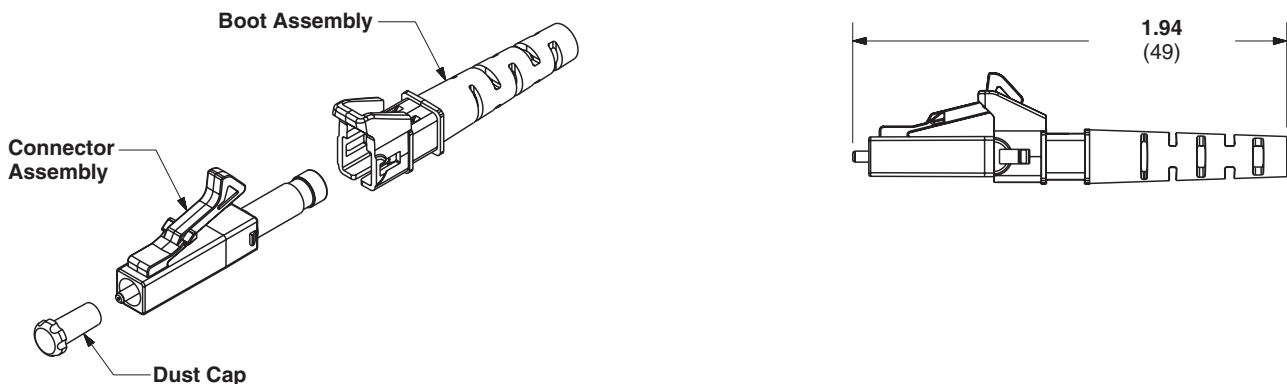
Breakout Cable: 2-fiber breakout cable: FI2D102 (OM1), FI2D202 (OM2)

4-fiber breakout cable: FI2D104 (OM1), FI2D204 (OM2)

Duplex LC Connector for Polymer Coated Fiber (PCF) Industrial Fiber Cables



Simplex LC Connector for Polymer Coated Fiber (PCF) Industrial Fiber Cables



Dimensions are in inches. (Dimensions in parentheses are metric).

WORLDWIDE SUBSIDIARIES AND SALES OFFICES

PANDUIT CANADA
Markham, Ontario
cs-cdn@panduit.com
Phone: 800.777.3300

PANDUIT EUROPE LTD.
London, UK
cs-emea@panduit.com
Phone: 44.20.8601.7200

PANDUIT SINGAPORE PTE. LTD.
Republic of Singapore
cs-ap@panduit.com
Phone: 65.6305.7575

PANDUIT JAPAN
Tokyo, Japan
cs-japan@panduit.com
Phone: 81.3.6863.6000

PANDUIT LATIN AMERICA
Guadalajara, Mexico
cs-la@panduit.com
Phone: 52.33.3777.6000

PANDUIT AUSTRALIA PTY. LTD.
Victoria, Australia
cs-aus@panduit.com
Phone: 61.3.9794.9020

For a copy of Panduit product warranties, log on to www.panduit.com/warranty

For more information

Visit us at www.panduit.com

Contact Customer Service by email: cs@panduit.com
or by phone: 800.777.3300 and reference FBSP55

PANDUIT®

©2012 Panduit Corp.
ALL RIGHTS RESERVED.
FBSP55-WW-ENG
10/2012