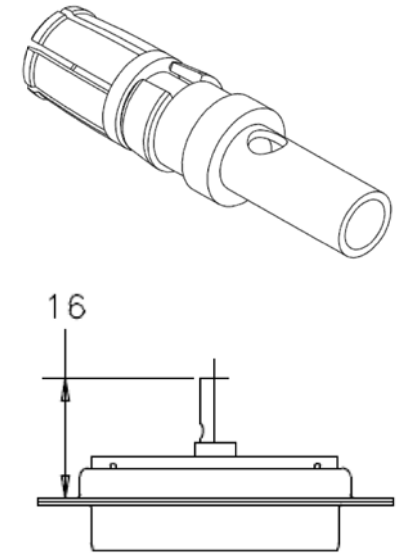
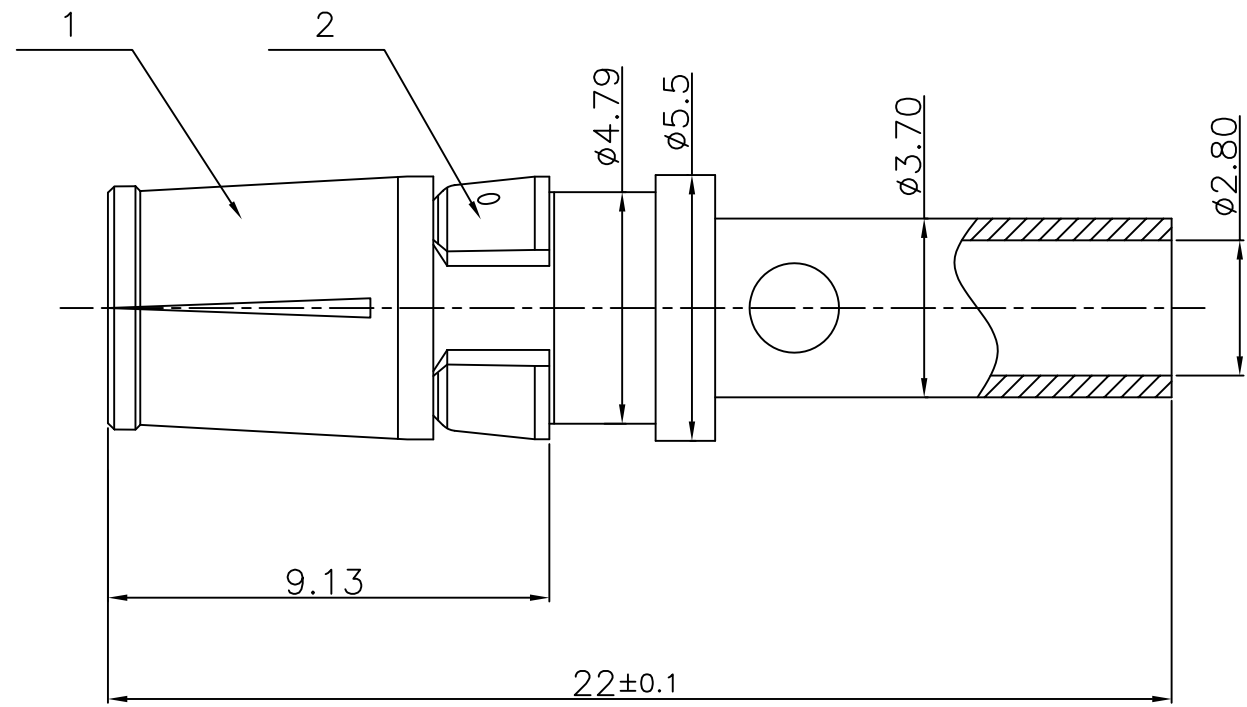


This document is the property of Amphenol Corporation and is delivered on the express condition that it is not to be disclosed, reproduced or used, in whole or in part, for manufacture or sale by anyone other than Amphenol Corporation without its prior consent, & that no right is granted to disclose or to use any information in this document.

REVISIONS				
SYM	ECN	DESCRIPTION	DATE	APPROVED
1			05/06/08	

Customer drawing



Notes:

- Commercial number is L17DM53744206C309
- Current rating: 20 to 30A.



2	4P00100	thermoplastic	
1	power contact	copper alloy	0.76um(30u") gold over 1.25-2.50um nickel
Sequence	Part number	Material	Plating

UNLESS OTHERWISE SPECIFIED TOLERANCES		APPROVAL		DATE
U.S.	METRIC	DRAWN	SUNNY LA	05/06/08
.X +/-	0.20	CHECKED	tk.wang	05/06/08
.XX +/-	0.10	CHECKED		
.XXX +/-	0.05			
FRACTIONS +/-	2'			
ANGLES +/-				
FOR MATERIALS AND FINISHES SEE NOTES		DRAWING FILE :		
REMOVE SHARP EDGES		ANGLE OF PROJECTION		
DIMENSIONS				
U.S.	INCHES			
METRIC	MM			

Amphenol®		
TITLE High power contact		
SIZE	DRAWING NO.	REV.
A4	C L17DM53744206C309	1
SCALE	NONE	SHEET 1 OF 1