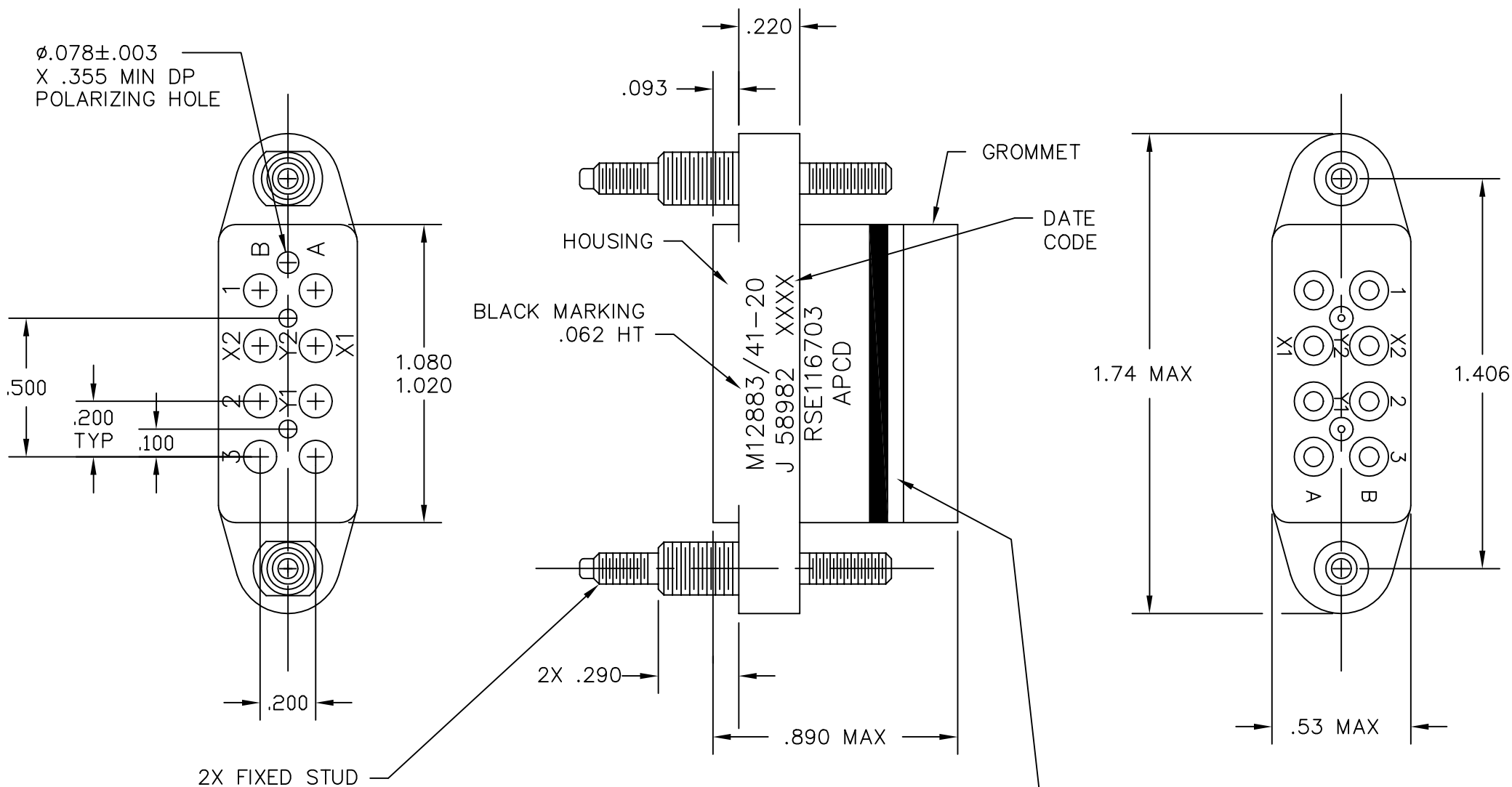


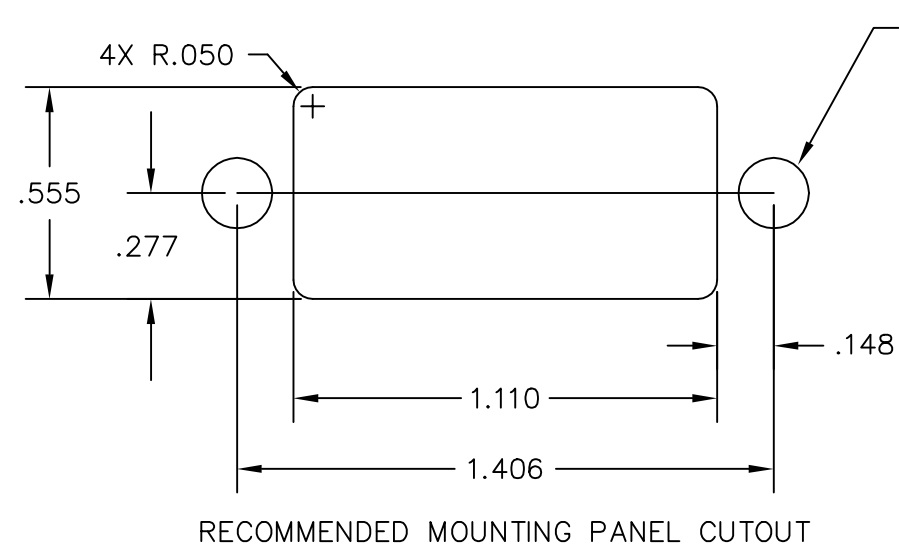
REV	ECN	APP'D
-	5465	JT 5/27/04
H	5519	SK 9/21/04



- NOTES:
- PART MEETS REQUIREMENTS PER MIL-PRF-12883.
 - MATERIALS:
 SOCKET BODY: POLYETHERIMIDE PER MIL-P-46184
 GROMMET: SILICONE RUBBER PER ZZ-R-765
 HARDWARE: CRES STEEL AND STEEL CADMIUM CHROMATE FINISH
 CONTACT RETAINERS: BERYLLIUM COPPER
 SOCKET CONTACTS: COPPER ALLOY, HARD GOLD PLATED PER MIL-G-45204
 - OPERATING RANGE
 TEMPERATURE: -65°C TO 125°C
 INSULATION RESISTANCE: 1000 MEGOHMS MIN.
 DIELECTRIC WITHSTANDING VOLTAGE:
 1500 VRMS AT SEA LEVEL,
 500 VRMS AT 80,000 FT. ALTITUDE
 VIBRATION: MIL-STD-202, METHOD 204, TEST CONDITION G
 SHOCK: MIL-STD-202, METHOD 213, TEST CONDITION C
 - PART SUPPLIED WITH MOUNTING HARDWARE
 - PART SUPPLIED WITH CONTACTS PER TABLE BELOW

RSE116702

RSE116702



BOTTOM MOUNT-CLEARANCE HOLE FOR .190 SCREW
 TOP MOUNT-CLEARANCE HOLE FOR .112 SCREW

PART NO.	CONTACTS SUPPLIED	MARKING
RSE116702	NONE	RSE116703
RSE116703	(8) SIZE 16/16, (2) SZ 22/22	

DIMENSIONS ANSI Y14.5M UNITS: INCHES ACAD FILE	TOLERANCES .XX ±.01 .XXX ±.010 ANGLES ±2°	PROJECTION 	Amphenol Pcd SPECIFICATION DRAWING ENGR S. KONDO 5/27/04 CHKD R. NEWMAN 5/27/04 APPD J. TON 5/27/04
ORIGINAL	THIS DOCUMENT CONTAINS PROPRIETARY INFORMATION WHICH IS THE CONFIDENTIAL PROPERTY OF AMPHENOL PCD INC. PEABODY, MA		

TITLE RELAY SOCKET M12883/41-20 (8) SIZE 16, (2) SIZE 22		
SIZE B	DWG NO. RSE116702	REV H
CODE: 58982	SCALE: 2X	SHEET 1 OF 1

RECOMMENDED MOUNTING PANEL CUTOUT