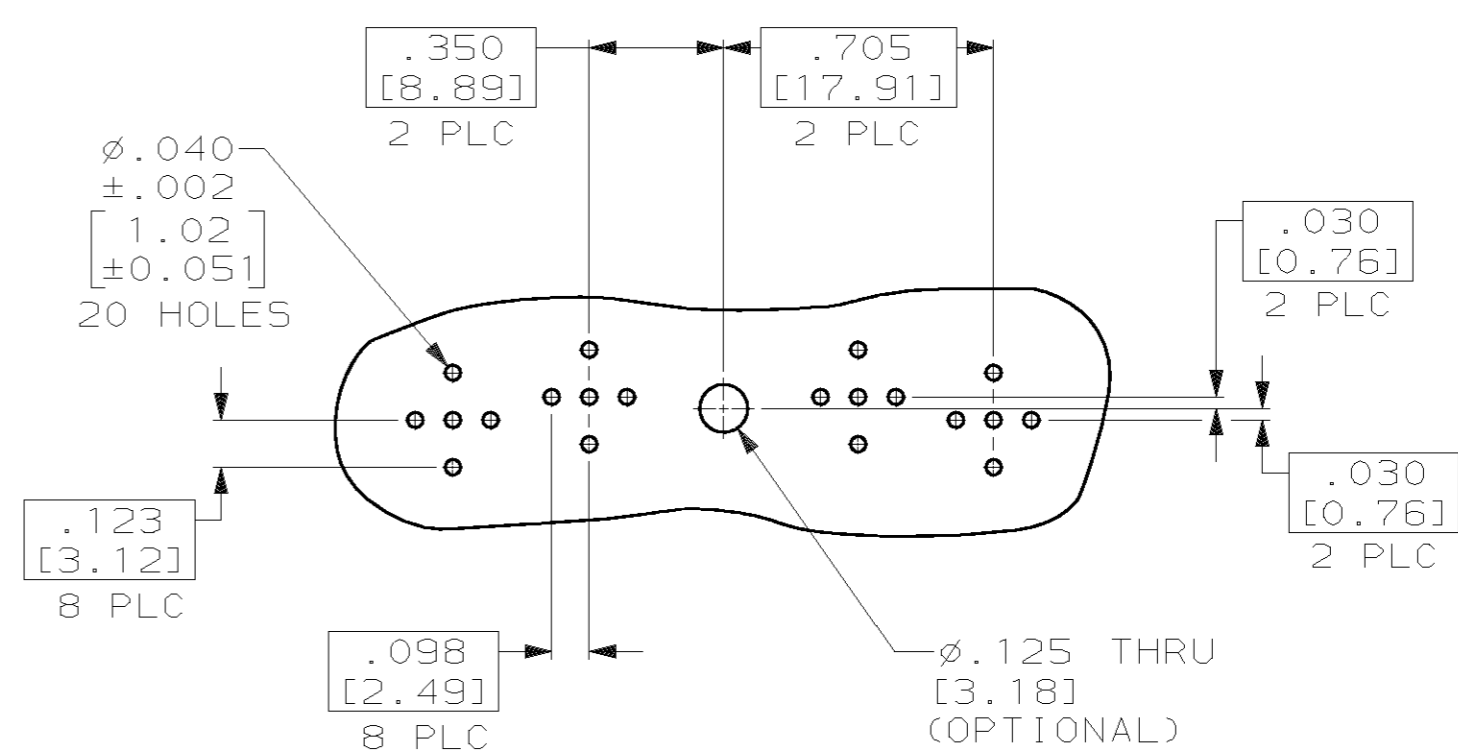
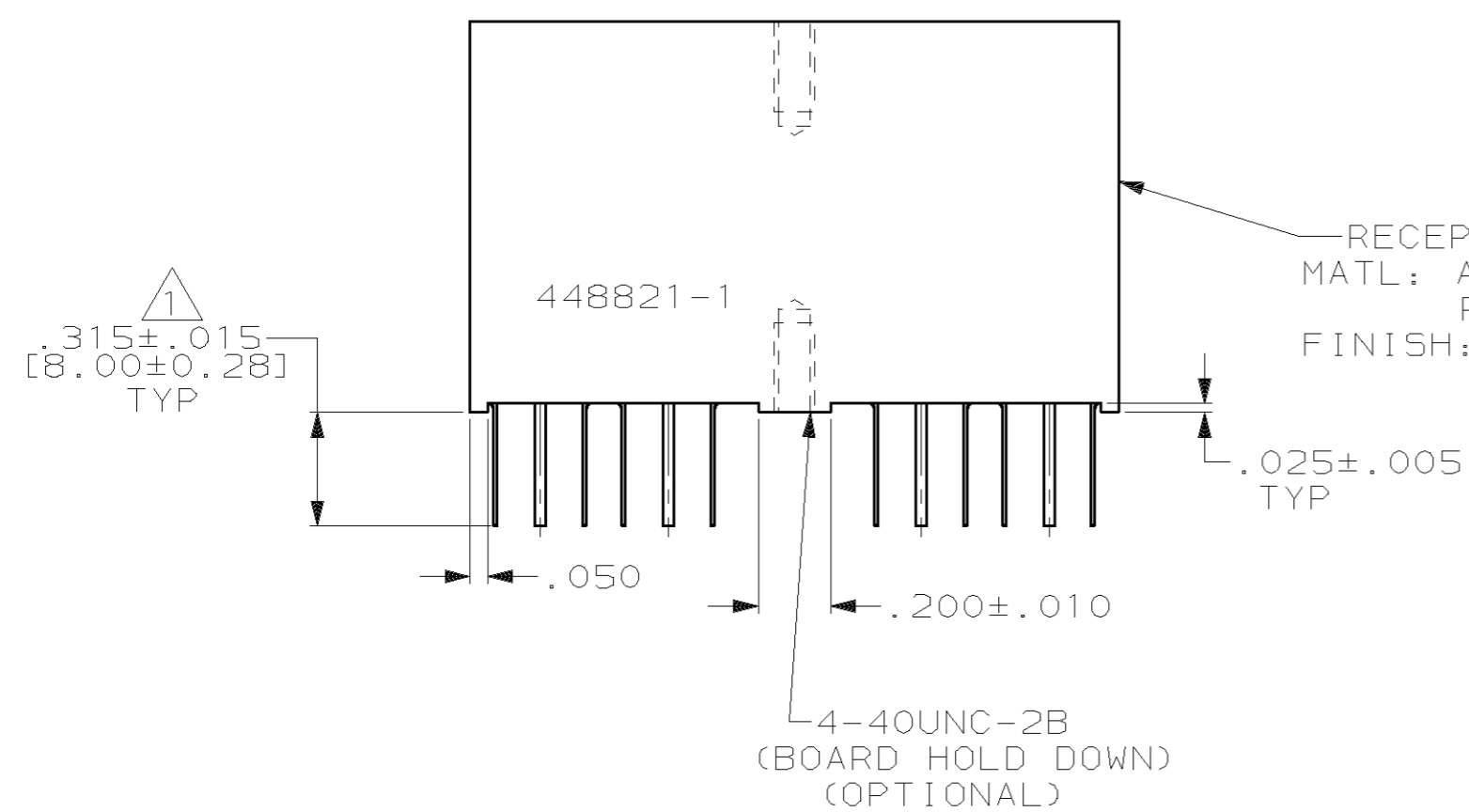
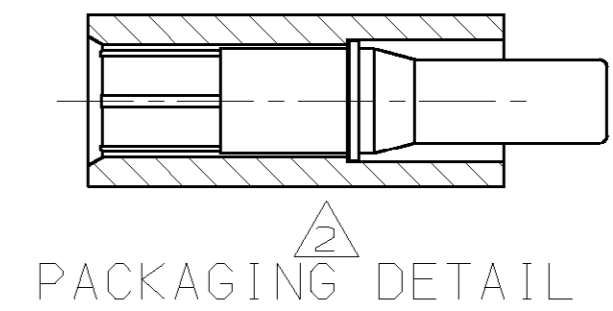
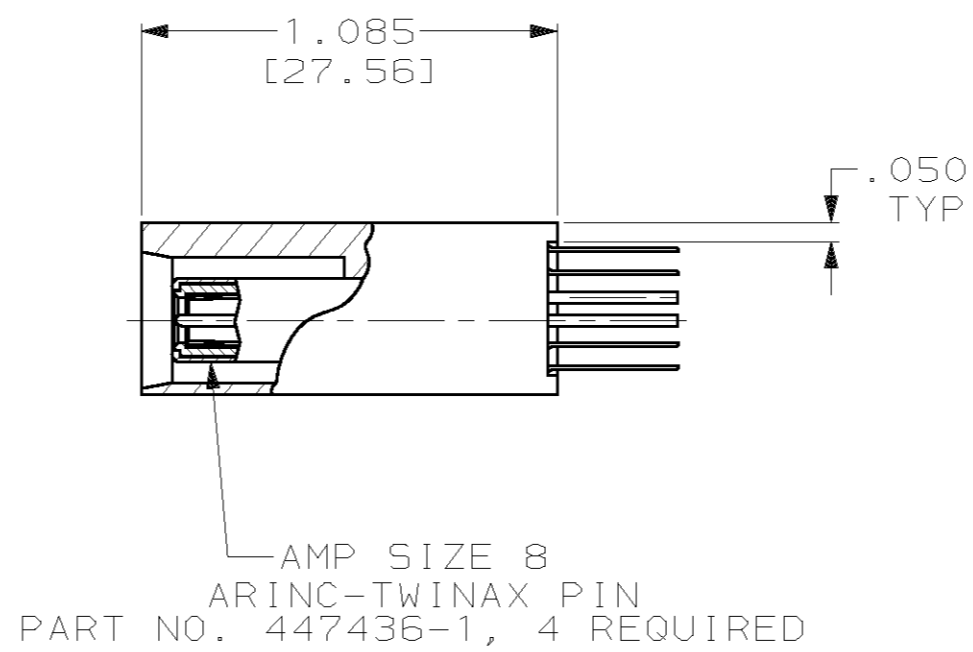
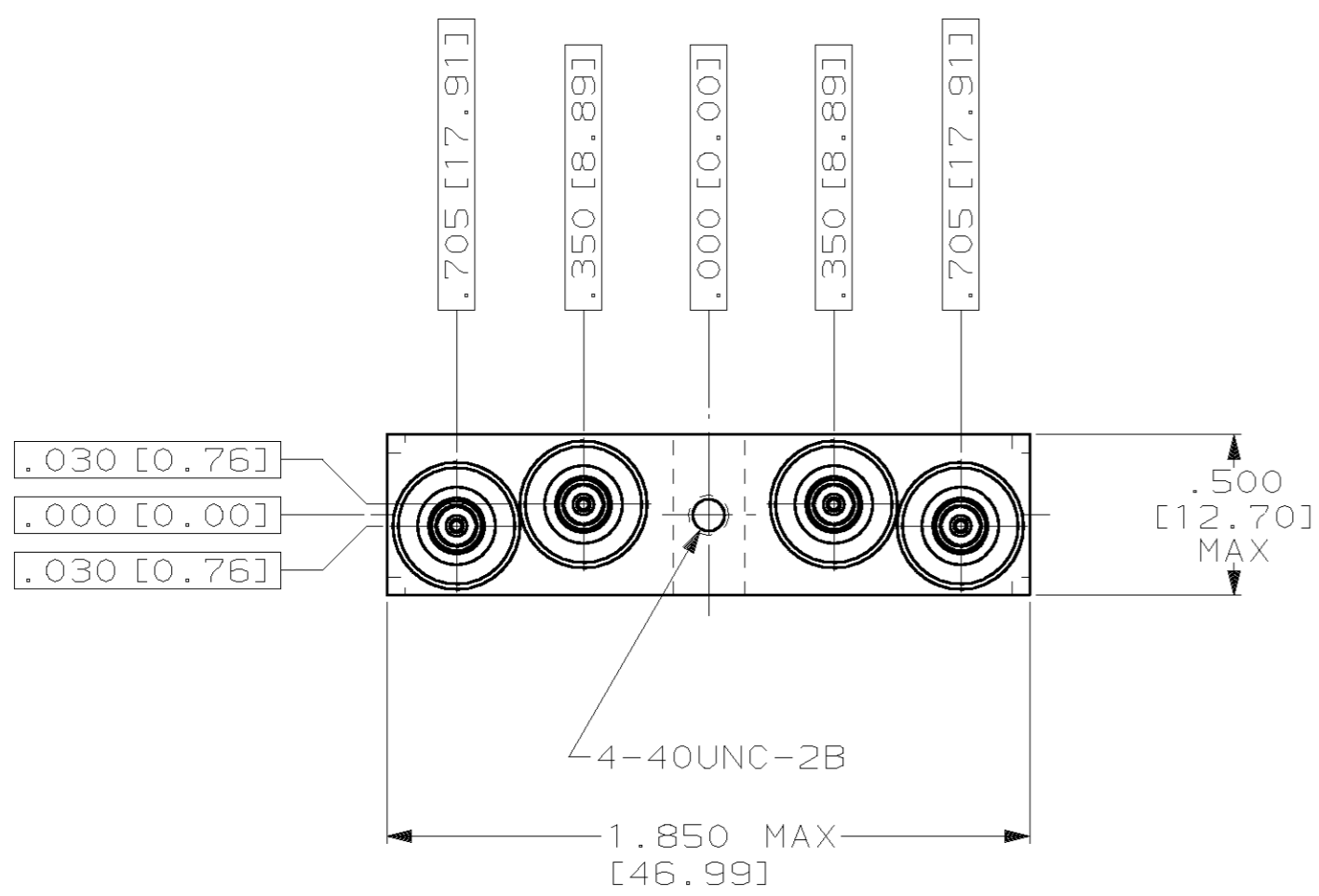


THIS DRAWING IS UNPUBLISHED. RELEASED FOR PUBLICATION, 19 .
 © COPYRIGHT 19 BY AMP INCORPORATED. ALL INTERNATIONAL RIGHTS RESERVED.

LOC	DIST	P	F	ZONE	LTR	DESCRIPTION	DATE	APPD	
DF	AO				B	REV PER 0G3D-0627-00	CT	7-01	56
					C	REV PER 0G3D-0337-01	CT	7-01	56



RECOMMENDED PC BOARD LAYOUT

1 SOLDER TINE LENGTH MEASURED FROM REAR OF CONTACT BODY.
 2 CONTACTS SHOWN IN HOUSING FOR ILLUSTRATION ONLY. FOR SHIPPING, CONTACTS ARE LOADED IN HOUSING AS SHOWN IN PACKAGING DETAIL.

AS SHOWN	448821-1
PART NUMBER	PART NUMBER

DO NOT SCALE PRINT. UNLESS SPECIFIED DIMENSIONS IN INCHES [mm] TOLERANCES ON: 2 PLC DEC ± - 3 PLC DEC ± .005 [0.13] ANGLES ± -	DR 2-24-93 N. FRITZ	AMP Incorporated Harrisburg, PA 17105-3608
	CHK 2-25-93 S. WRIGHT	
MATERIAL SEE CALLOUTS	APPD 2-25-93 S. WRIGHT	NAME RECEPTACLE CONNECTOR KIT, 4 POSN, WITH SIZE 8 ARINC-TWINAX PINS
	APPD 2-25-93 S. WRIGHT	PRODUCT SPEC -
FINISH SEE CALLOUTS	APPLICATION SPEC -	SIZE C 00779
	WEIGHT -	CAGE CODE 00779
		DRAWING NO 448821
		SCALE 2:1
		SHEET 1 OF 1