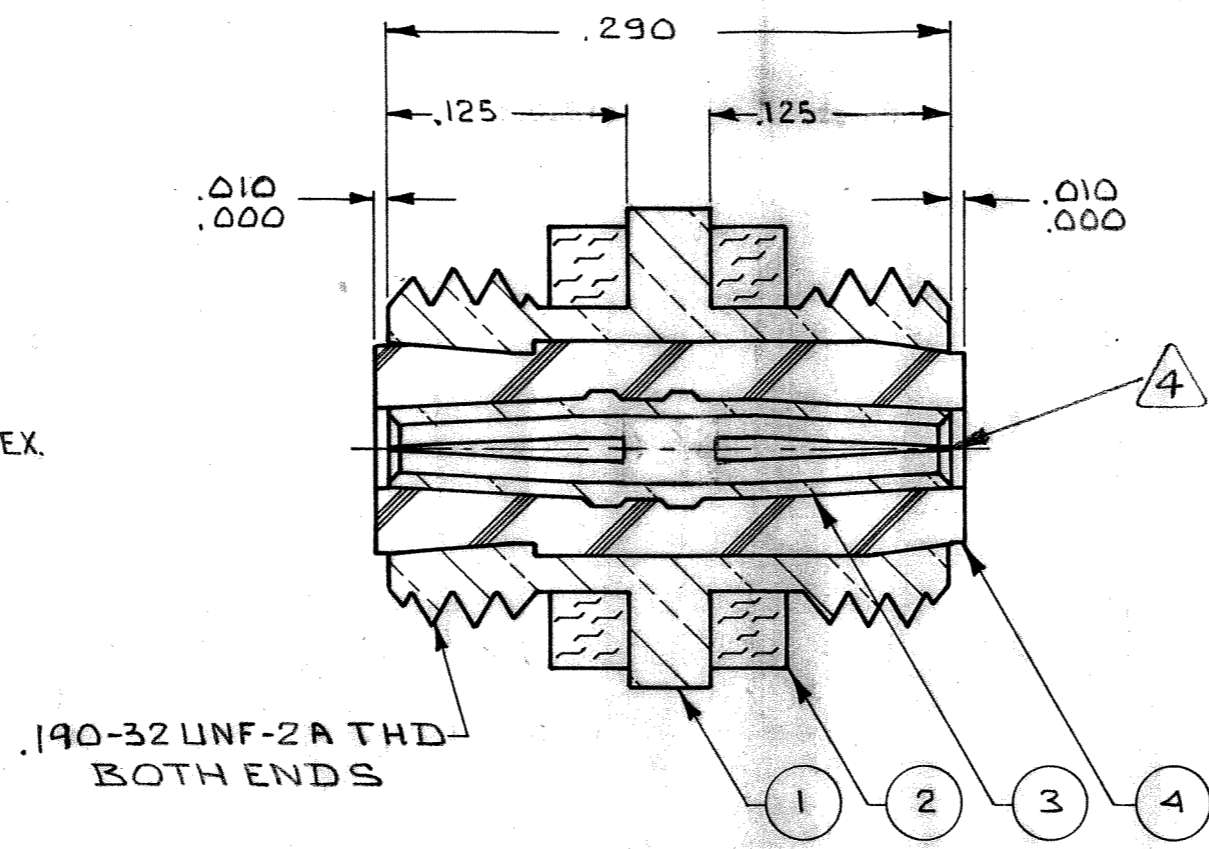
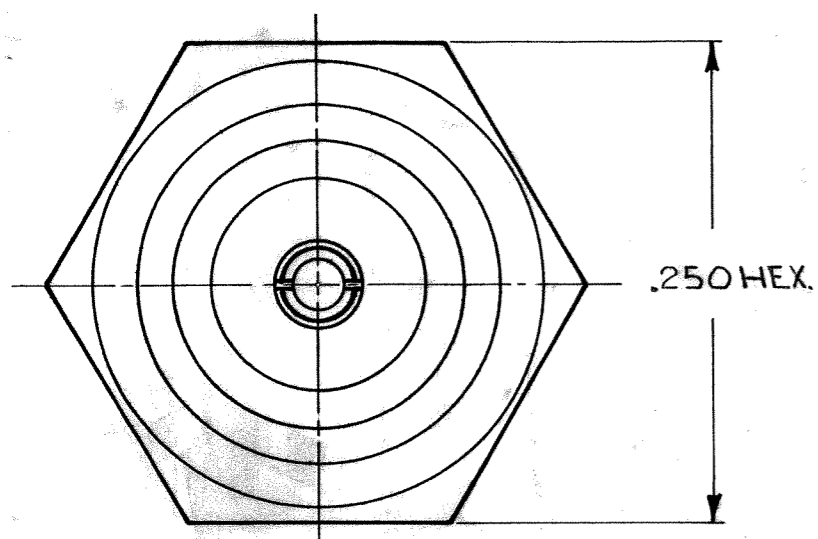


REVISIONS

| SYM | ECN | DESCRIPTION | DATE | APPROVED |
|-----|-------|---|---------|-------------|
| L | | REVISED & REDRAWN ECO 13193 | 6/10/71 | [Signature] |
| M | 24246 | REDESIGN SOCKET CONFIG. ADD Δ . BERYLLIUM COPPER PER QQ-C-530 WAS COIN SILVER MIL-B-13282 .125 WAS .125 \pm .005 | 4/4/79 | R.M. |
| N | 38487 | UPDATE REV. LETTER | | [Signature] |



Tyco Dwg 1466294
Micro P/N 03300010001

- NOTES: UNLESS OTHERWISE SPECIFIED
- THIS CONNECTOR MATES WITH ALL 50 SERIES SCREW ON TYPE PLUGS AS LISTED IN MALCO CATALOG (BOTH ENDS)
 - SILVER PLATE .0002 MIN. PER QQ-S-365, TYPE II, GRADE A.
 - GOLD PLATE PER MIL-G-45204, TYPE II, GRADE C, CLASS I.
 - CONTACT TO BE FLUSH WITH OR RECESSED FROM FACE BOTH ENDS.

| QTY. REQD. | PART NO. | NOMENCLATURE OR DESCRIPTION | MATERIAL & SPECIFICATION | ITEM NO. | |
|------------|----------|-----------------------------|--------------------------|-------------------------------|---|
| | 1 | 000-0301-0062 | INSULATOR | TEFLON PER L-P-403 | 4 |
| Δ 3 | 1 | 003-0013-0002 | SOCKET CONTACT | BERYLLIUM COPPER PER QQ-C-530 | 3 |
| | 2 | 003-0011-0001 | GASKET | NEOPRENE PER MIL-R-3065 | 2 |
| Δ 2 | 1 | 000-1601-0152 | HOUSING | BRASS PER QQ-B-626 | 1 |

LIST OF MATERIAL OR PARTS LIST

| | | | | | | |
|----------------------------|--|--------------------------------|--------------------|--------|--|---|
| UNLESS OTHERWISE SPECIFIED | | DRAWN | <i>m form</i> | 426-53 | MALCO A MICRODOT COMPANY, INC. 220 PASADENA AVE., SO. PASADENA, CALIF. 9103 | ADAPTER PROD CODE 931 |
| DIMENSIONS ARE IN INCHES | | CHECK | | | | |
| TOLERANCES | | PR. ENG. | <i>[Signature]</i> | | SIZE B CODE IDENT. NO. 98278 CODE CDM 033-0001-0001 | SCALE 10X WT SHEET 1 OF 1 |
| DECIMALS FRACTIONS | | CHF. ENG. | | | | |
| .XX \pm | | MATERIAL NOTED | | | | |
| .XXX \pm \pm 1/64" | | SURFACE TREATMENT NOTED | | | | |
| .XXXX \pm | | SURFACE ROUGHNESS \checkmark | | | | |
| ANGLES \pm 2° | | TOP ASSY. | | | | |
| DO NOT SCALE THIS DWG | | | | | | |