

STEP 1 Determine Resistance and Watts

Ohm's Law

(a) $R = E/I$ or $I = E/R$ or $E = RI$

Ohm's Law, shown in formula form above, enables determination of the resistance when the required voltage and current are known. When the current and voltage are unknown, or the best values not decided on, at least two of the three terms in Ohm's Law must be measured in a trial circuit (see Engineering Manual Bulletin 1100).

Note that the maximum current to be determined is the current of the load before the rheostat resistance is inserted. On the other hand, the maximum resistance occurs with the minimum current.

(b) $W = I^2R$ or $W = EI$ or $W = E^2/R$

Power, in watts, can be determined from the formulas above, which stem from Ohm's Law.

Note that the rated wattage of a uniform wound rheostat is calculated using the maximum current and the total rheostat resistance. The Summation Watts are calculated instead for a taper wound rheostat as explained under "Tapered Rheostats," page 14.

Short Cut Method

Use an Ohmite Ohm's Law Calculator (convenient slide-chart) or use Ohm's Law Chart in the Engineering Manual, Bulletin 1100. Set known values as explained on the Calculator, or Chart, and read the sought for OHMS, WATTS (or other terms).

Calculation Method

Using the Ohm's Law formulas given above, and explained in greater detail in the Engineering Manual, calculate the unknown values. How to conduct tests when a trial must be made of the actual apparatus is explained in the Manual.

STEP 2 Power Rating or Physical Size of Rheostat

General: Rheostat watt ratings are based on the condition that the moving contact is set so that all of the winding is in the circuit. This makes the condition the same as that of a fixed resistor (assuming a uniform rheostat winding) and we may then say that a rheostat operated at a constant wattage will attain a steady temperature which is determined largely by the ratio between the size (surface area) and the wattage dissipated. The temperature stabilizes when the sum of the heat loss rates (by radiation, convection and conduction) equals the heat input rate (proportionage). The greater the rheostat area per watt to be dissipated, the greater the heat loss rate and therefore the lower the temperature rise.

Free Air Watt Rating

In general, for commercial rheostats, the relation of the "Free Air Watt Rating" of vitreous enameled rheostats to the physical size has been set at such a figure that: "When operated at their rated watts the temperature rise of the hottest spot shall not exceed 300°C (540°F) as measured by a thermo-couple, when the temperature of the surrounding air does not exceed 40°C (104°F). The temperature is to be measured at the hottest point on the embedding material of a rheostat mounted on a vertical metal panel in free, still air space with at least one foot of clearance to the nearest object, and with unrestricted circulation of air." This is in accordance with standards of the "National Electrical Manufacturers Association" (NEMA) and the "Underwriters' Laboratories."

Electronic Industries Association (formerly RETMA) standards provide for a maximum attained hot spot temperature of 340°C for rheostats of 100 watts or less and 300°C for rheostats of greater wattage. The reference ambient is 25°C.

Military Rheostat Specification MIL-R-22 provides for a maximum hot spot temperature attained (on the exposed winding) of 340°C for rheostats of 100 watts or less and 390°C for larger rheostats. The reference ambient is 25°C.

The temperature rise, with all resistance in the circuit, is not directly proportional to the wattage but follows the curves as shown in Fig. 1 and Fig. 2.

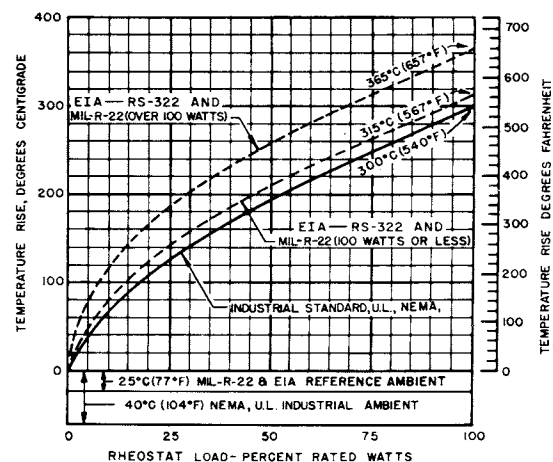


Fig. 1: Hot spot temperature rise of a rheostat for various specifications.

The temperature rise on a tapered rheostat does not exceed the rated maximum, but the location of the hot spot, for each position of the contact, depends on the taper design.

In the usual rheostat application, the current is reduced as the resistance is inserted in the circuit and so the operating temperature is much less than the maximum rated temperature. If the maximum current is actually carried as a constant value, the hot spot temperature builds up as the resistance is added and levels off at the maximum rated temperature starting at approximately 30% rotation.

Current Rating

When selecting a rheostat for a particular application, it is the current rating, rather than the wattage rating, which directly indicates the usability. For any given wattage size and resistance, the maximum current to be carried through any part of a uniform winding is determined from Ohm's Law, $I = \sqrt{W/R}$. The current values for all stock rheostat resistances are given in the stock tables.

The minimum current (occurring at maximum resistance) is a factor influencing the rheostat watt size required, as explained under "Tapered Rheostats."

When a rheostat is connected as a potentiometer, i.e., bridged across the line with the load connected between one end and the moving contact, the minimum current is the "bleeder" current (through the entire winding). The maximum potentiometer current is the sum of the bleeder current and the maximum load current.

Tapered Windings

A "tapered winding" consists of two or more smoothly joined sections wound with larger wire for the higher current sections. Characteristics of tapered windings are explained fully starting on page 14.

Application Modifications of Power Ratings

To allow for the differences between the actual service conditions and the "Free Air Watt Rating" it is sound engineering practice to operate the rheostats at modifications of nominal rating. The details by which such ratings can be estimated are given hereafter. Most thermal calculations, however, involve so many factors which are usually not accurately known, that at best they are only approximations.

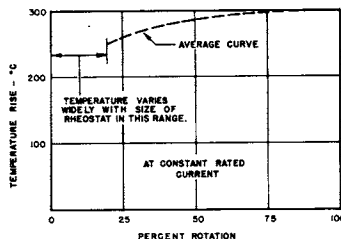


Fig. 2: Hot Spot temperature rise of a typical rheostat versus percentage of winding in circuit.

The factors which affect the temperature rise act nearly independently of each other and are summarized as follows:

- 1. Ambient Temperature:** As the maximum permissible operating temperature is a set amount, any increase in the ambient temperature subtracts from the permissible temperature rise and therefore reduces the permissible watt load.
- 2. Enclosure:** Enclosure limits the removal of heat by convection currents in the air and by radiation. The walls of the enclosure also introduce a thermal barrier between the air contacting the rheostat and the outside cooling

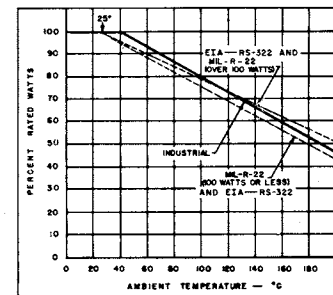
air. Hence, size, shape, orientation, amount of ventilating openings, wall thickness, material and finish, all affect the temperature rise of the enclosed rheostat. Reduction of rating is generally necessary only if the housing is only slightly larger than the rheostat, totally enclosed and where the ratio of I_{max} to I_{min} is less than two.

3. Grouping: Rheostats mounted in standard tandem frames do not require derating. Other conditions should be studied for possible effects.

4. Altitude: The amount of heat which air will absorb varies with the density, and therefore with the altitude above sea level. At altitudes above 100,000 feet, the air is so rare that the rheostat loses heat practically only by radiation (and conduction).

5. Pulse or Rotating Operation: This is not an environmental condition but a circuit condition. As a pulse of power (or the varying power in the rheostat as the contact is rotated) when averaged over the total on and off time results in less heat per unit time than for continuous duty, the temperature rise is affected. This may permit higher pulse power. The conditions must be expertly considered for conservative rating.

Fig. 3: Rheostat derating for ambient temperature for various specifications.



6. Cooling Air: Forced circulation of air over a rheostat removes more heat per unit time than natural convection does and therefore permits an increased watt dissipation. Liquid cooling also can increase the rating.

7. Limited Temperature Rise: It is sometimes desirable to operate a rheostat at a fraction of the Free Air Watt Rating in order to keep the temperature rise low. This may be to protect adjacent heat sensitive apparatus; to hold the resistance value very precisely both with changing load and over long periods of time and to insure maximum life.

8. Other Considerations: HIGH RESISTANCE. High resistance units, which require the use of very small diameter wire, generally should operate at reduced temperature and voltage for maximum reliability.

HIGH VOLTAGE. The total volts must be limited to a reasonable ratio with respect to the insulation breakdown values, etc.

MILITARY AND OTHER SPECIFICATIONS. The special physical operating and test requirements of the applicable industrial or military specification must be considered. Military specification rheostats should be ordered by their MIL numbers.

Temperature Coefficient of Resistance

The resistance alloys used for all except the lowest ohmic values show such little change with temperature that in most power circuits the resistance is considered constant with load.

For special applications which require very constant resistance, it may be desirable to specify the maximum permissible TC (temperature coefficient of resistance), and the range of temperature, and consequently to use only certain types of resistance alloys.

For low TC (and other) applications, Ohmite can provide rheostats with an "Ohmicone" (silicone-ceramic) coating. "Ohmicone" is processed at much lower temperatures than vitreous enamel and therefore makes control of TC and tolerance easier.

Data on the TC of various alloys is given in the Engineering Manual.

Determining the Power Rating

Short-Cut Method: Appropriate scales on the "Step 2 Short Cut Chart" in the Resistor Catalog can also be used for rheostats. Locate the known application modifications of Free Air Conditions, multiply the correction factors for ambient, altitude, etc, together with the rheostat Watts ($I^2_{max} \times R_{rheo.}$) to obtain the minimum Watt Size Required.

Calculation Method: Obtain derating factors from graphs in this catalog and the Engineering Manual and calculate necessary allowances.

STEP 3 Selecting the Rheostat Model and Mechanical Features

A uniformly wound rheostat can be chosen quite easily from the many models and resistances listed on pages 9 to 13. It is only necessary to select one with the desired resistance which has a current value not less than the maximum current of the circuit.

When the desired resistance falls between the standard values listed, use coded specification number to order.

Taper wound rheostats of the required resistance and with both maximum and minimum current ratings not less than those of your application may be selected from listings on pages 35 through 38.

Ohmite will be pleased to design a tapered rheostat for your application based on the required resistance, maximum and minimum current and nature of the load.

The minimum size model for a three-section taper can be determined with fair accuracy by the method given on page 15.

Additional Features—Mechanical and Electrical

The Rheostat Guide, pages 4 and 5, indicates the more commonly used additional features and the pages on which detailed information will be found. Mechanical features include such typical items as special mounting bushings and shafts, tandem mountings, and auxiliary switches. Electrical features include special winding angles, and tapers.

Special attention may be required for extra long rotation life, unusual vibration, resolution, linearity, etc. The possible combinations of additional features are great. In addition, special designs to meet customer requests can be created.

SUGGESTIONS FOR ORDERING

CODED SPECIFICATION NUMBER

| Model | Ohms | Shaft Type | Max* Panel | Additional Feature |
|--|--|---|-------------------------|--|
| E, H, J, G, K, L, P, N, R, T, or U | As Required. Letter R used for decimal point | F=Flatted R=Round S=Screwdriver (standard for LO, LA, & LE) LO=Locking "SHALO" LA=Locking "SHALA" LE=Locking "SHALE" | Number of Eighths | 352, etc., Off Pos. 375, etc., Toggle Sw. T2=Two in Tandem T3=Three in Tandem |

*Substitute the shaft Type No. from pages 16 or 18 instead of max. panel thickness when one of these shafts is to be used.

Example 1: H-7R5 S2-T2

This is a Model H rheostat, 7.5 ohms, with screwdriver slotted shaft for 1/4" panel and mounted two in tandem.

Example 2: J-500-502B-352

This is a Model J rheostat, 500 ohms, with a catalog item special shaft (from table page 16)—and with Type 352 Off Position.

Rheostats with following features may be specified using code formula described above:

- Standard or Special Resistance
- Standard, round, screwdriver and locking shafts
- Catalogued special panel length bushing or shaft
- Off position or auxiliary switches
- Standard cages
- Tandem assemblies

Rheostats with following features may not be coded but are assigned a serial specification number at the factory:

- Tapered or special winding
- Combination of more than 2 "additional features"
- Customer designed special shafts and features

FOR STANDARD RHEOSTATS

1. Quantity.
2. Resistance.
3. Catalog Number.
4. Model and Watt Rating.
5. Itemize knobs and all other accessories separately.

FOR MADE-TO-ORDER RHEOSTATS

1. Quantity.
2. Resistance.
3. (a) Coded Specification Number and Resistance. (For Uniform Wound Rheostats where applicable.)
(b) Ohmite Specification Number and Resistance. On reorders of special rheostats, the use of this number will assure exact duplication.
(c) Catalog Number of standard Tapered Rheostats.
4. Model, Watt Rating and whether Tapered Winding is desired.
5. Maximum current.
6. Minimum current (for Tapered Winding).
7. Resistance Tolerance if other than standard $\pm 10\%$.
8. Give Catalog Number, Type Number or Code Word for all Additional Features plus description of special shafts, etc.
9. Itemize knobs and all other accessories separately.
10. MIL Rheostats should be ordered by MIL number.

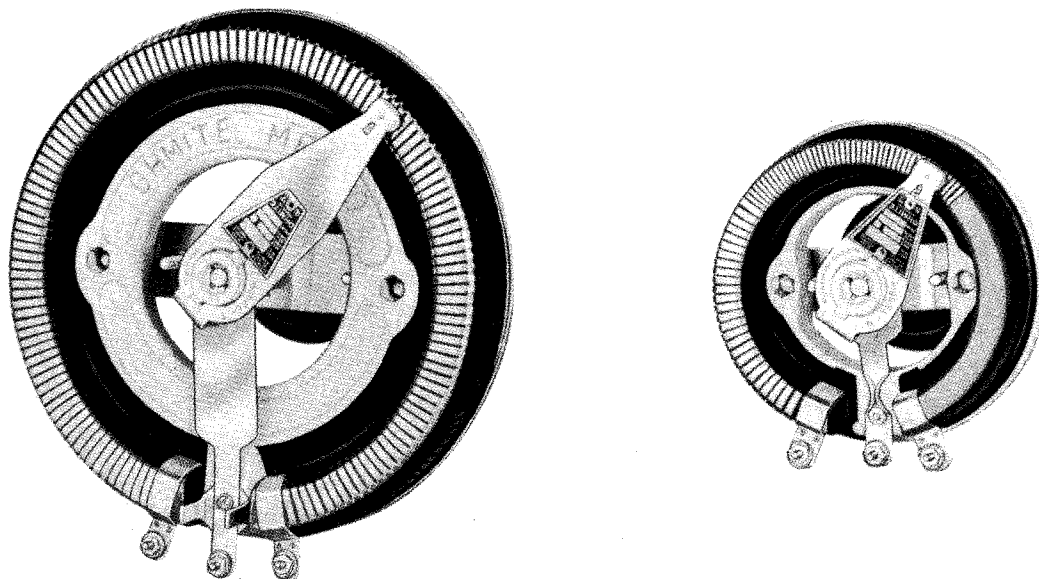


Fig. 28: Size comparison of uniform and tapered rheostats for a specific application.

Rheostat windings are sometimes tapered, i.e., wound in two to five (or more) sections of diminishing wire or ribbon sizes. These sections are so smoothly joined that only the change in wire size tells where the sections connect (see Fig. 28).

For a given application, the taper may accomplish one or more of the following:

1. Make possible the use of a smaller rheostat.
2. Provide more uniform control (i.e., more nearly linear control) at all positions of the contact arm.
3. Make possible special curves of resistance (or of the controlled effect) versus rotation.
4. Make possible the winding of higher resistance on a given size rheostat, for a given maximum amperage.

Because tapered windings involve extra manufacturing operations, tapered rheostats when ordered singly or in small quantities generally cost more than uniformly wound rheostats of the next larger size. Tapers are generally not suitable unless the ratio of maximum to minimum current is 1.5 or greater. When large quantities are involved (the necessary quantity depending upon the rheostat model and number of sections) the tapered unit generally becomes the more economical one. For convenience and economy in making preliminary tests to determine the resistance and current rating, a stock (linear) rheostat is frequently used.

How Size Is Reduced

When the moving contact of a rheostat is on the first turn of wire or ribbon, this turn must carry the maximum current. But as the resistance is put into the circuit, the

succeeding turns never have to carry more than a certain fraction of the maximum current, because the current tapers off from the maximum to some minimum value.

Hence, in a uniform, or linear winding, the latter portions of the winding operate at lower wattages (I^2R) per square inch than the rated values. The tapered winding, using smaller size wire for each section, proportioned for the current to be carried, increases the ohms per inch of winding in successive sections. This makes the watts dissipated per square inch of winding section more nearly approach the rated wattage value. As the core area required for a given wattage dissipation is less when operated at higher watts per square inch than for lower watts per square inch, the total core size is reduced.

Ohmite taper designs use the largest wire practicable for each section so that great durability is maintained.

How Better Control Is Produced

Fig. 29 shows how the current varies (in a typical case) with the percent rotation of the rheostat contact. Because a uniformly wound rheostat adds a constant number of ohms per degree of rotation to a constantly increasing number of ohms, the current changes ever more slowly as the resistance is increased (curve "A" Fig. 29). A tapered winding (curves "B" and "C") by increasing the number of ohms per degree of rotation as the total ohms in circuit increases, makes the current curve more nearly linear.

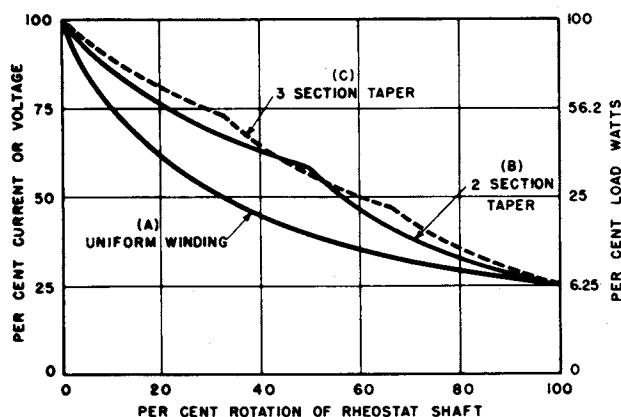


Fig. 29: Typical curves of load variation with shaft rotation for uniform and taper-wound rheostats.

Selecting a Tapered Rheostat

Tapers depend, among other factors, on the ratio of the maximum to the minimum current and upon the way in which the current varies between these end points. Tapers, therefore, are designed for specific circuits.

For any given set of rheostat conditions (resistance, maximum and minimum current) it is generally possible to design more than one size of tapered rheostat. That is, any of the various Ohmite rheostats can be used the wattage rating of which is sufficiently greater than the required Summation Watts ($\Sigma W = I_{max} \times I_{min} \times R_{theo.}$)—the smaller rheostat generally having more sections than the larger. The choice between the models will depend upon the space requirements, mounting conditions, and upon the quantity ordered. In small quantities the larger rheostat of fewer sections sometimes costs less than the smaller rheostat of greater number of sections.

Approximate Size of Tapered Rheostat

Method I. The approximate size of a tapered rheostat, for specified conditions, having an average number of sections (3) can be determined as follows:

1. Determine Summation Watts—
 $\Sigma W = I_{max} \times I_{min} \times R$
2. Determine $K = \frac{I_{max}}{I_{min}}$ Round off the figure to the next highest number in Col. K, Fig. 30.
3. Select Factor F from Table Fig. 30.
(Note: For greater accuracy, the exact value of K can be used and F found by interpolation in the Table.)

4. Determine Rheostat Model (Watt Size). Multiply ΣW by F and choose smallest rheostat having a watt rating equal to or greater than this product.

Example:

Rheostat Ohms = 20

$I_{max} = 12.6$ amps.

$I_{min} = 1.27$ amps.

1. $\Sigma W = 12.6 \times 1.27 \times 20 = 321$ watts
2. $K = \frac{12.6}{1.27} = 9.9$ Round off to 10.
3. $F = 2.13$ (from table Fig. 30)
4. $\Sigma W \times F = 321 \times 2.13 = 684$ Model T = 750 which is greater than product 684 and therefore 3 section Model T can be used.

| K | F | K | F |
|-----|------|-----|------|
| 1.5 | 1.15 | 5 | 1.70 |
| 2 | 1.26 | 7.5 | 1.93 |
| 3 | 1.45 | 10 | 2.13 |
| 4 | 1.60 | | |

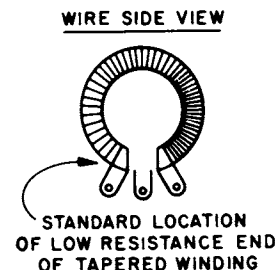
Fig. 30: Table of factor F for tapered rheostat selection (three sections).

The Ohmite Engineering Department will be glad to recommend the most economical unit and to design the taper upon receipt of full information (see page 8 "How To Order").

Standard Taper Rheostats. The rheostats listed on pages 35 to 39 include taper-wound units which can be used for field control or other purposes, such as the control of heating elements or other loads of constant resistance.

Method II. An alternate design method sometimes can be used which results in a rheostat of smaller size and/or fewer number of taper sections than that provided by the Method I design. Method II specifies a rheostat, the wattage size of which is equal to (or sometimes less than) the calculated Summation Watts. Such designs operate at higher hot spot temperatures than the Method I designs.

Direction of Taper. To indicate the direction of taper, a sketch, similar to Fig. 31 or a statement, should be included when ordering. The direction of taper shown is standard and will be supplied unless otherwise ordered. It is described as "counterclockwise increase in resistance when viewed from the knob side."



Bushings and Shafts for Small Rheostats

(Models C, E, H, J, G, K, L)

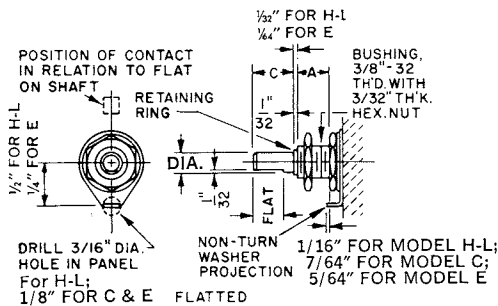


Fig. 32: Flatted shaft for 1/8" and 1/4" diameter

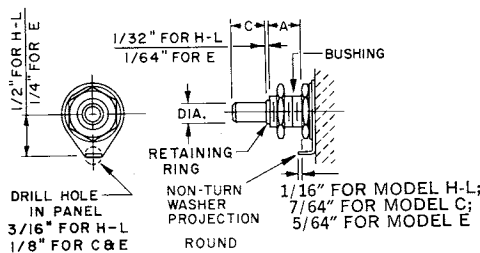


Fig. 33: Round shaft for 1/8" and 1/4" diameter

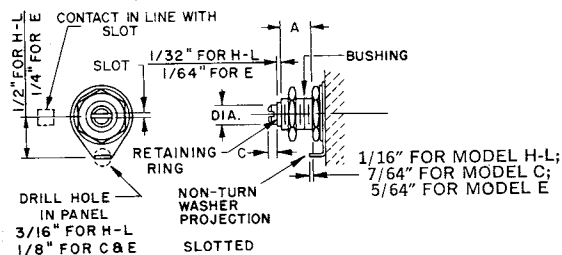


Fig. 34: Slotted (Screwdriver) shaft for 1/8" and 1/4" diameter

Standard shafts for Models C and E rheostats are round with a 1/4"-32 bushing for mounting on panels to 1/8" thick; for Models H, J, G, K and L rheostats, standard shafts have a flat and a 3/8"-32 threaded bushing—long enough for mounting on panels up to 1/4" thick. Shafts without a flat, with a screwdriver slot, or with screwdriver slot and

| STANDARD SHAFT VARIATIONS FOR MODEL C' AND E (1/8" Dia. Shaft) | | | | | | | | | | | | | |
|--|-------------------|--------|--|-------|--------|-------------------|------|--------|---------------|--------|---------|-------|-------|
| MAX. PANEL | BUSHING PROJ. "A" | | 'SHAFT PROJECTION (C) FROM RETAINING RING—SHAFT CODES AND TYPE NUMBERS | | | | | | | | | | |
| | | | FLATTED | | | SCREWDRIVER SLOT | | | | | | | |
| | | | ROUND | | | Non-Locking Shaft | | | Locking Shaft | | | | |
| | | | REG. | LOCK. | | STD. | LONG | STD. | LONG | STD. | SPECIAL | | |
| 1/16 | 3/16 | 1 1/32 | F 1/2 | R 1/2 | 572A | S 1/2 | 573A | 573B | 573C | 573D | *1 | — | — |
| 1/8 | 1/4 | 1/32 | F 1 | R 1 | 577A | S 1 | 577A | 577B | 577C | 577D | *1 | — | +578C |
| 1/4 | 3/8 | 1/2 | — | — | — | — | — | — | — | — | — | +579B | +579C |
| 1/2 | 3/4 | 1 1/32 | F 2 | R 2 | 581A | S 2 | 582A | 582B | 582C | 582D | *2 | +583B | +583C |
| Proj. from Mtg. Surface to end of shaft for 1/8" panel (2) | | | 3/8" | 3/8" | 1 1/2" | 3/8" | 3/8" | 1 1/2" | 2" | 2 1/2" | 1 1/32" | 5/8" | 7/8" |

- (1) Add 1/4" to obtain projection from front of bushing to end of shaft.
 - (2) For PFMS (projection from mounting surface to end of shaft); for panels other than 1/8" add difference between the chosen bushing projection and 1/4" to projection shown.
 - (3) Flat length; 3/8" for all.
 - (4) Model C limited at present to 577A, 578C, 579B, and 579C. No. 577A is standard on Model C and used instead of S1.
- *Prefix consisting of code for type of locknut must be added as in L01, LA1, LE1. For other than the standard shaft with screwdriver slot, indicate with additional prefix letter such as FL01, or RL01.
 †Prefix consisting of code for type of locknut must be added as in LE579B (LA is not applicable).
 ‡Standard.

slotted bushing for a locking device are also available with bushings to accommodate various panel thicknesses. They can be obtained with different projections beyond the retaining ring to accommodate special knobs, or auxiliary devices, etc.

Where appearance requires that the knob be close to the panel or space is limited, and the panel is thin, the 1/8" panel bushing is used. Bushings for a 1/16" panel can be made also.

Shafts with Flat

The standard flat is always located so that a perpendicular to the flat is in line with the rheostat contact and on the opposite side of the shaft. This agrees with the normal location of a set screw on a knob and results in the arrow-head or pointer, if any, pointing to the location of the contact. Symbol "F" describes this type of shaft in the rheostat coded designation (for standard front projection only).

Shafts without Flat (Round)

A plain round end is sometimes preferred when it is desired to be able to line up the knob with certain panel calibration marks, to fit a coupling gear, etc. Rheostat code symbol is "R" (for standard front projection only).

| STANDARD SHAFT VARIATIONS FOR MODELS H, J, G, K AND L (1/8" Dia. Shaft) | | | | | | | | | | | | | | | | | | | | | | |
|---|-------------------|---|------|--------|-------------------|--------|------|---------------|------|--------|------------|-------------------|---|--------|------|---------------|------|--------|--------|-----|-------|-------|
| Max. Panel | Bushing Proj. "A" | 'Shaft Projection (C) from Retaining Ring—Type Nos. | | | | | | | | | Max. Panel | Bushing Proj. "A" | 'Shaft Projection (C) from Retaining Ring—Type Nos. | | | | | | | | | |
| | | Flatted ³ | | | Round | | | | | | | | Screwdriver Slot | | | | | | | | | |
| | | Regular Type | | | Non-Locking Shaft | | | Locking Shaft | | | | | Non-Locking Shaft | | | Locking Shaft | | | | | | |
| | | Std. | Long | Short | Std. | Med. | Long | Std. | Long | Std. | | | Long | Std. | Long | | | | | | | |
| 1/16 | 3/16 | 1 1/32 | F1 | 502A | 502B | 502C | R1 | 512A | 512B | 512C | 512D | 1/2" | 3/8" | 1/2" | S1 | 552E | 552A | 552B | 552C | *1 | +562F | +562E |
| 1/8 | 1/4 | 1/32 | F2 | 503A | 503B | 503C | R2 | 513A | 513B | 513C | 513D | 3/4" | 1/2" | 3/4" | S2 | 553E | 553A | 553B | 553C | *2 | +563F | +563E |
| 1/4 | 3/8 | 1/2 | F4 | 504A | 504B | 504C | R4 | 514A | 514B | 514C | 514D | 1" | 3/4" | 1" | S4 | 554E | 554A | 554B | 554C | *4 | +564F | +564E |
| 3/8 | 1/2 | 5/8 | F6 | 505A | 505B | 505C | R6 | 515A | 515B | 515C | 515D | 1 1/4" | 1" | 1 1/4" | S6 | 555E | 555A | 555B | 555C | *6 | +565F | +565E |
| 1/2 | 3/4 | 1 1/32 | F8 | 506A | 506B | 506C | R8 | 516A | 516B | 516C | 516D | 1 1/2" | 1 1/8" | 1 1/2" | S8 | 556E | 556A | 556B | 556C | *8 | +566F | +566E |
| 3/4 | 1 1/8 | 1 1/2 | F12 | 507A | 507B | 507C | R12 | 517A | 517B | 517C | 517D | 2" | 1 1/2" | 2" | S12 | 557E | 557A | 557B | 557C | *12 | +567F | +567E |
| 1" | 1 1/4 | 1 3/4 | F16 | 508A | 508B | 508C | R16 | 518A | 518B | 518C | 518D | 2 1/2" | 2" | 2 1/2" | S16 | 558E | 558A | 558B | 558C | *16 | +568F | +568E |
| Projection From Mtg. Surface To End of Shaft For 1/8" Panel (2) | | | 3/8" | 1 1/2" | 2" | 2 1/2" | 7/8" | 1 1/2" | 2" | 2 1/2" | 2 3/4" | 1/2" | 3/8" | 1 1/2" | 2" | 2 1/2" | 3/4" | 2 3/4" | 1 3/4" | | | |

- (1) Add 1/2" to obtain projection from front of bushing to end of shaft.
 - (2) For PFMS (projection from mounting surface) for panels other than 1/8" add difference between the desired bushing projection and 3/8" the PFMS shown.
 - (3) Flat length; 1/2" for all.
- *Prefix consisting of code for type of locknut must be added as in L01, LA1, or LE1 (see page 17). For other than the standard shaft with screwdriver slot, indicate with additional prefix letter such as FL01, or RL01.
 †Prefix consisting of code for type of locknut must be added as in L0562F or LE562F (LA is not applicable—see page 17).
 ‡Standard

Bushings and Shafts for Small Rheostats

(Models C, E, H, J, G, K, L)

Shafts with Screw-Driver Slot

This type of shaft is used to permit operation by a screw-driver instead of a knob when the rheostat is to be adjusted infrequently or when possibility of tampering with the setting must be minimized. Symbol "S" is used in the code (for standard front projection only).

Locking Type Screw Driver Shafts

A slotted bushing for use with special nuts as described below can be supplied. Rheostat code shaft and bushing symbols are "LO," "LA," or "LE" depending on the type of locking nut.

Special Shafts

Commercial shafts for Models E, H, J, G, K and L are ordinarily of zinc-plated steel. Stainless steel is standard on Model C. Bushings are unplated brass, but can be supplied zinc or nickel-plated at extra cost. All shafts listed in military specification MIL-R-22 are available also.

For special shafts made to order, supply a drawing or complete dimensions. Specify dimension "A," which is the projection of the bushing beyond the rheostat assembly nut. The retaining ring is not included in this dimension. Dimension "A" is (nominally) the sum of the given maximum panel thickness plus the thickness of the mounting nut and an allowance for manufacturing tolerance. The bushing should be another $\frac{1}{16}$ " longer if a lock-washer (see page 26) is to be used. See page 26 for "Shoulder Nuts" which are used with screwdriver shafts ($\frac{3}{8}$ "-32 bushing) when it is desired to keep the end of the shaft protected in a recess. Use shoulder nut No. 6057 for bushing lengths over $\frac{1}{4}$ ".

Heavy Duty Stop and $\frac{3}{8}$ " Dia. Shaft

Rheostat Models H, J, G, K and L can be provided with a $\frac{3}{8}$ " diameter shaft sleeve with a special heavy duty stop for use on industrial applications, especially where large diameter knobs are used. The stop can safely withstand stopping torques of 80 pound-inches. As the stationary stop is part of the special mounting bracket and the moving stop is a part of the $\frac{3}{8}$ " diameter sleeve, the stopping torque is not transmitted into the rheostat.

Shaft projection, special drilling, etc., can be varied.

Heavy Duty Stop, $\frac{3}{8}$ " Dia. Shaft and Tapped Mounting Bracket

Code Word
SHABS

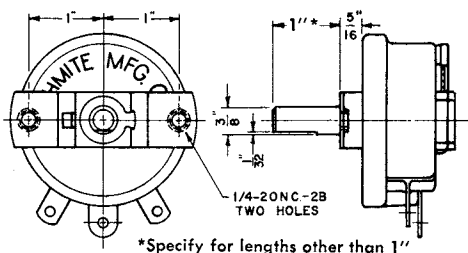


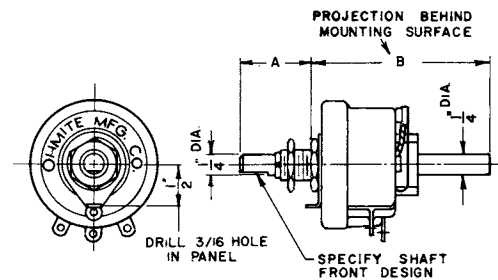
Fig. 35: Heavy duty stop for small rheostats.

Shafts with Rear Extension

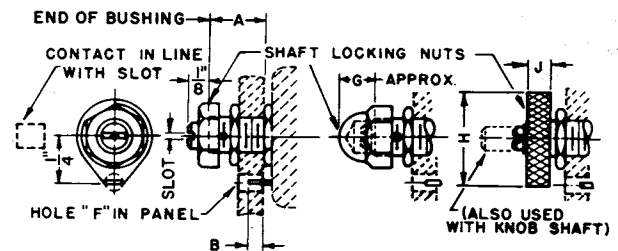
Special shafts with an extension on the rheostat wire side can be provided, so that other apparatus can be coupled to enable operation by the rheostat knob. Valves and switches are examples of items frequently coupled.

For Shaft Extensions on Wire Side, $\frac{1}{4}$ " Diam. Advise desired length

Distance from mounting surface to end of shaft must be given. Provide a sketch for special drilling, etc.



Shaft Locking Devices for Models C, E, H, J, G, K, L



| Shaft Dia. | Max. Panel | A | B | Slot | F | G | H | J |
|---------------|------------|-----------|--|--------------------------------------|----------------|-----------------|---------------|----------------|
| $\frac{1}{8}$ | See p. 16 | See p. 16 | $\frac{5}{64}$ (E) $\frac{7}{64}$ (C) | $\frac{1}{32}$ W $\frac{3}{64}$ D | $\frac{1}{8}$ | $\frac{3}{32}$ | $\frac{5}{8}$ | $\frac{3}{32}$ |
| $\frac{1}{4}$ | See p. 16 | See p. 16 | $\frac{1}{16}$ | $\frac{3}{64}$ W $\frac{1}{16}$ D | $\frac{3}{16}$ | $1\frac{1}{32}$ | 1 | $\frac{1}{4}$ |

Fig. 37: Shaft locking devices.

Shaft clamping or "locking" devices which discourage or prevent tampering with a rheostat setting, consist of a special nut on a split and tapered bushing (Fig. 37). The lock nut has a matching internal taper which forces the segments of the bushing against the shaft. Several types of nuts are available as shown. The knurled edge disc type is for tightening with the fingers and is sometimes employed with a knob-type shaft. The standard shaft end is normally slotted for screwdriver unless otherwise ordered. To order the shaft-lock feature, state panel thickness and proper code word shown below and/or specify bushing and shaft assembly when possible by the type numbers shown on page 16.

| | |
|--|-------|
| Code Word* | |
| Hexagon Nut Locking Device | SHALO |
| Cap Nut Locking Device | SHALA |
| Knurled Round Nut Locking Device | SHALE |

*"LO, LA or LE" are used in coded specification.

Shafts for Large Rheostats

(Models P, N, R, T, U)

OHMITE®

Manufacturing Company

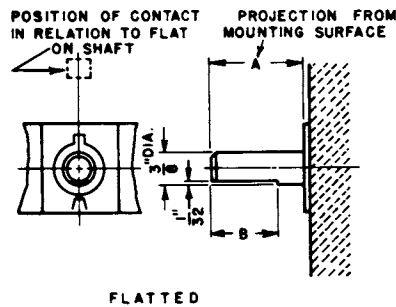


Fig. 38: Flatted shaft.

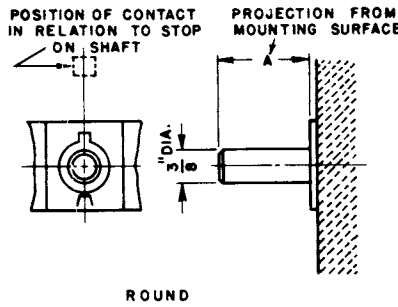


Fig. 39: Round shaft.

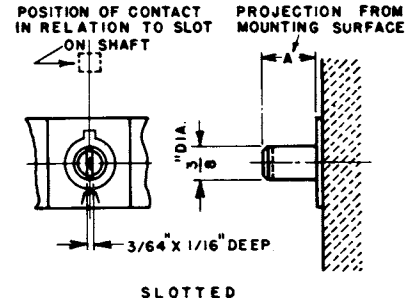


Fig. 40 Slotted (screwdriver) shaft.

Special Shafts

Standard rheostat shaft assemblies, as illustrated on stock units, have a shaft with a flat for the set screw of a knob, and are long enough for mounting on panels up to 1/4" thick (when used with knob Cat. No. 5104 or 5105). Shafts without a flat, or with a screw-driver slot are also available. While the standard shaft is generally used on thin panels as well as on panels up to the maximum, shorter shafts are available and are frequently used when it is desired to have the knob and pointer close to the dial, or panel. Standard shafts are zinc plated steel. Stainless steel, Type 416 or 303, is available at extra cost.

Shafts in all lengths per MIL-R-22 are also available. Special length shafts or shafts with special drilling etc., can be supplied. Please submit a drawing.

Shafts with Rear Extension

Special shafts with an extension on the rheostat wireside can be provided. Rheostats can also be made with the normal front end cut off and the rear extended for operation from the wire side only.

For Shaft Extension on Wire Side, 11/16" Dia Advise desired length

Distance from mounting surface to end of shaft must be given. Provide a sketch if any special drilling, etc., is required.

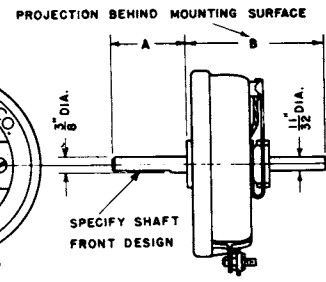


Fig. 42: Shaft with rear extension.

| PANEL THICKNESS | FLATTED | | | ROUND | | SCREW-DRIVER SLOT | |
|------------------|---------------------------|-----------------|--------------|-------------------------|-------------|-------------------------|-------------|
| | A Proj. from Mfg. Surface | B Lgth. of Flat | Code Symbol | Proj. from Mfg. Surface | Code Symbol | Proj. from Mfg. Surface | Code Symbol |
| 1/16" to 3/4" | 1 1/2" | 1" | F3 2 | 1 1/2" | R3 | 3/4" | S6 1 |
| 1/4" x 1 1/4" | 2" | 1 3/32" | F10 3 (Std.) | 2" | R10 | 1 1/4" | S10 |
| 1 1/8" to 2 1/4" | 3" | 1 3/32" | 4 | 3" | R18 | 2" | S16 1 |

(1) 3/4" Panel max. for S6 and 2" for S16.
 (2) Only F3 can be supplied for this range of panel thicknesses.
 (3) Only F10 can be supplied for this range of panel thicknesses.
 (4) Available in 1/8" increments from F11 to F18.

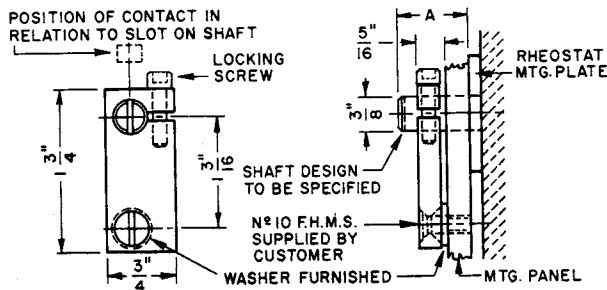


Fig. 41: Shaft locking device.

Screw Clamp Locks

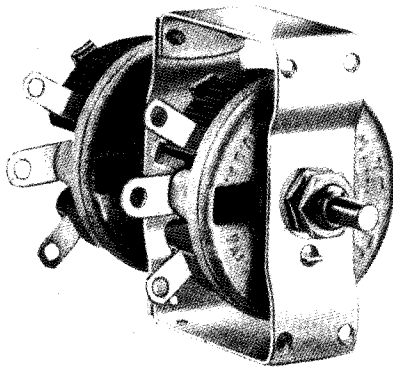
The locking device for rheostats with 3/8" shafts takes the form of a split arm fastened to the mounting panel as shown in Fig. 41. When the hex socket cap screw is tightened, the split arm is clamped to the shaft, preventing rotation. The shaft is slotted for screw-driver operation.

Screw Clamp Locking Device Code Word: SHALL

Specify shaft selected from following table or give projection from mounting surface for other panels.

| Panel Thickness | Shaft Projection From Mounting Surface | Shaft Type No. |
|----------------------|--|----------------|
| 1/16" to 3/8" incl. | 3/4" | S6 |
| 1/2" to 1 1/8" incl. | 1 1/4" | S10 |

Fig. 43:
Standard
assembly of
two Model J
rheostats



Standard Tandem Assemblies

Ohmite rheostats can be supplied mounted two, three, or more in tandem for simultaneous control of several circuits, or phases of a circuit, by means of a single knob, as shown in Figs. 43 to 50. The rheostats are spaced to permit their operation at the same ratings as when individually mounted. Tandem rheostats are frequently connected in series (and sometimes in parallel) to obtain increased wattage dissipation over that of a single rheostat for a given panel space, or because the wattage required exceeds that of a single rheostat.

Frames consist of plated steel strip, as illustrated, with mounting holes for panel or shelf mounting. Two, three, or four rheostats are generally connected by Ohmite-made universal joints which provide smooth action with a minimum of backlash. Greater numbers of rheostats are connected by a single through-shaft, which may be supplied also for 2 to 4 rheostats at option of Ohmite or the customer. As many as ten rheostats can be arranged in tandem on special frames; details supplied on request.

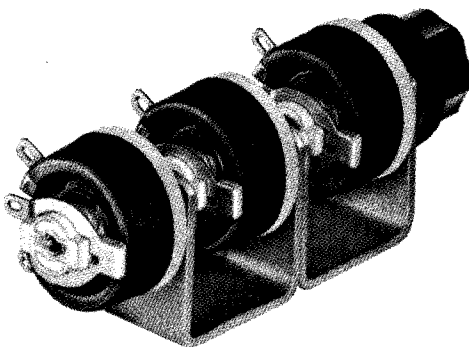
Mixed Models: Tandem assemblies of different model rheostats can be ordered, but such rheostats are specially made to make the angle of rotation of all of the rheostats the same as that of the smallest rheostat. The largest rheostat is mounted next to the panel and mounting dimensions for that size apply to the mixed assembly.

Ordering Information: Give Tandem Mounting Catalog Number and specify rheostats completely. When the rheostats are not identical, their location with respect to the panel should be given. Shaft lengths are as indicated in Figs. 44 to 46. Specify panel thickness or shaft length if other than standard is desired.

Shaft Diameter P, N, R, T & U: Model P, N, R, T, and U tandem assemblies can be supplied with 1/2" diameter through-shafts instead of 3/8" diameter. All large tandems of more than 4 rheostats in tandem are supplied with 1/2" diameter shafts as standard.

Location of Flat on Tandem Shafts: The standard location of the flat on a tandem shaft has been selected so that when the tandem frame is mounted on a panel with the frame vertical, the pointer on a knob will rotate symmetrically about the vertical center-line. Note that both the rheostat and the flat have been rotated 90° from the normal mounting position with the center-lead vertical and down. If the user intends to mount the rheostats per this latter method, the tandem assembly can be ordered with the flat on the shaft the same as on an individual rheostat, i.e., the perpendicular to the flat is 180° from the contact. Specify on order: "Flat on shaft to be 180° from contact."

Factory Assembled Tandem Rheostat Assemblies Model E



Model E-T3 Tandem

| Rheostat Model | Watts Each | 2-in-tandem Cat. No. | Weight (lbs.) | 3-in-tandem Cat. No. | Weight (lbs.) |
|----------------|------------|----------------------|---------------|----------------------|---------------|
| E | 12 1/2" | 6640 | .080 | 6641 | .164 |

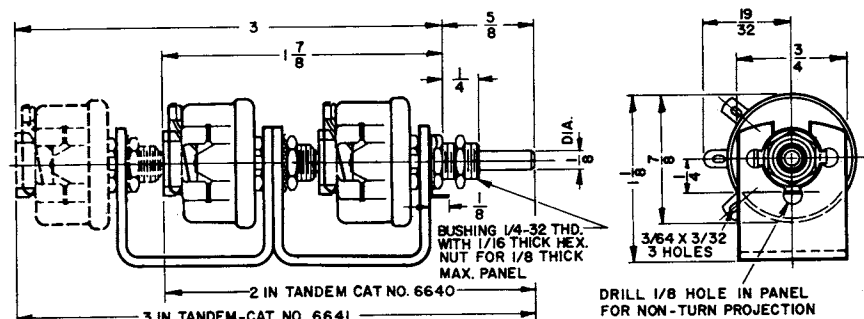
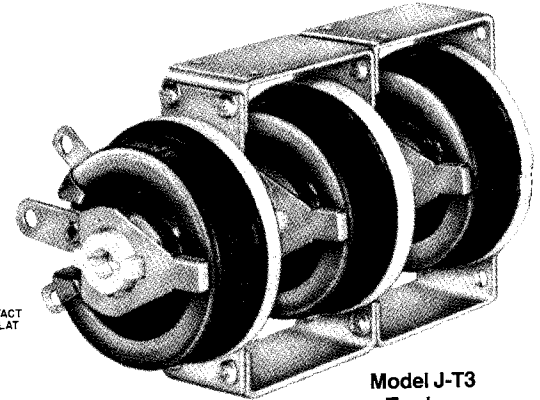


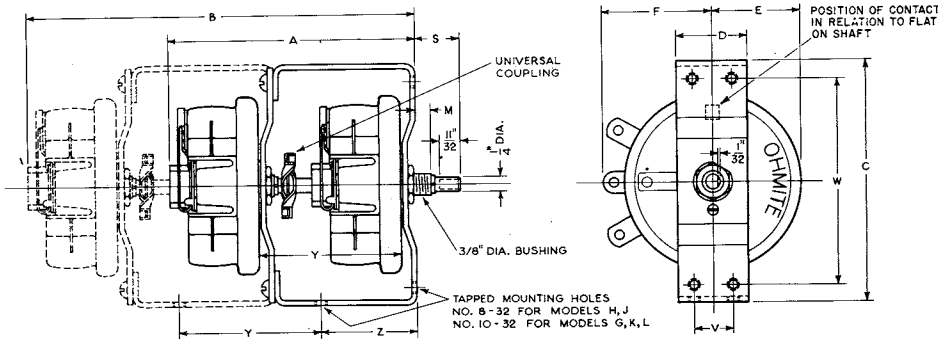
Fig. 44: Dimensions for Model E tandem assemblies

Factory Assembled Tandem Rheostat Assemblies

Models H, J, G, K, L



Model J-T3
Tandem



| Max. Panel | | M | S |
|------------|--------|--------|--------|
| Code | In. | | |
| F2* | Std. | 3/32" | 25/32" |
| F4 | 1/2" | 5/8" | 1 1/8" |
| F6 | 3/4" | 7/8" | 1 3/8" |
| F8 | 1" | 1 1/8" | 1 7/8" |
| F12 | 1 1/2" | 1 5/8" | 2 1/8" |
| F16 | 2" | 2 1/8" | 2 5/8" |

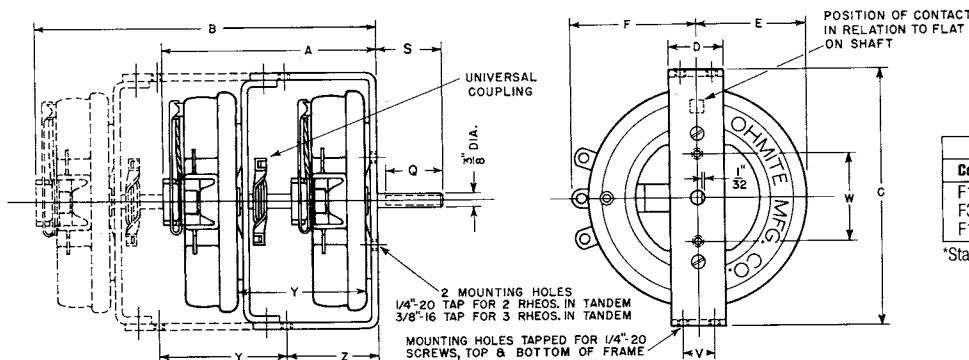
*Will fit 3/16" max. panel with panel nut; 1/4" max. panel without panel nut.

Fig. 45: Dimensions for Model H, J, G, K or L tandem assemblies

| RHEOSTAT | | DIMENSIONS | | | | | | | | | |
|----------|------------|------------|--------|--------|--------|----------|----------|---------|--------|--------|----------|
| Model | Watts Each | A | B | C | D | E | F | V | W | Y | Z |
| H | 25 | 3 1/2" | 5 1/2" | 2 5/8" | 1" | 2 5/32" | 1 15/16" | 1 1/16" | 1 7/8" | 2" | 1 11/16" |
| J | 50 | 3 1/2" | 5 1/2" | 3" | 1" | 1 13/32" | 1 9/16" | 1 1/16" | 2 1/2" | 2" | 1 11/8" |
| G | 75 | 4 3/8" | 6 7/8" | 4 1/4" | 1 1/4" | 1 3/8" | 1 23/32" | 1 1/16" | 3 3/8" | 2 1/2" | 1 11/8" |
| K | 100 | 4 3/8" | 6 7/8" | 4 1/4" | 1 1/4" | 1 3/8" | 1 23/32" | 1 1/16" | 3 3/8" | 2 1/2" | 1 11/8" |
| L | 150 | 4 3/4" | 7 1/4" | 5" | 1 1/4" | 2" | 2 3/32" | 1 1/16" | 4 1/4" | 2 1/2" | 1 5/8" |

NOTE: Catalog Numbers for 4 rheostats in Tandem are: H = 6620, J = 6621, G = 6622, K = 6623, L = 6624

Models P, N, R, T, U



| Max. Panel | | S | Flat Length Q |
|------------|------------------|----------|---------------|
| Code | In. | | |
| F10* | 1/2" to 1 1/4" | 2" | 1 7/16" |
| F3 | 1/8" to 3/8" | 1 15/32" | 1 7/16" |
| F18 | 1 1/2" to 2 1/4" | 3" | 1 9/16" |

*Standard

Fig. 46: Dimensions for Model P, N, R, T or U tandem assemblies

| RHEOSTAT | | DIMENSIONS | | | | | | | | | |
|----------|------------|------------|----------|--------|--------|--------|----------|------|--------|--------|--------|
| Model | Watts Each | A | B | C | D | E | F | V | W | Y | Z |
| P | 225 | 5 13/16" | 9 5/16" | 7" | 1 1/2" | 2 1/2" | 2 31/32" | 7/8" | 1 3/4" | 3 1/2" | 2 1/2" |
| N | 300 | 6 1/4" | 9 3/8" | 7" | 1 1/2" | 3" | 3 1/16" | 7/8" | 2 3/8" | 3 1/2" | 2 1/2" |
| R | 500 | 5 13/16" | 9 7/8" | 8 3/4" | 1 1/2" | 4" | 4 5/16" | 7/8" | 3" | 3 1/2" | 2 1/2" |
| T | 750 | 7 1/16" | 11 3/16" | 13" | 1 1/2" | 5" | 5 9/16" | 7/8" | 3 3/4" | 4" | 3" |
| U | 1000 | 7 1/16" | 11 3/16" | 13" | 1 1/2" | 6" | 6 7/8" | 7/8" | 6" | 4" | 3" |

NOTE: Catalog Numbers for 4 rheostats in Tandem are: P = 6625, N = 6626, R = 6627, T = 6628, U = 6629

Sequence Coupled Rheostats

OHMITE®

Manufacturing Company

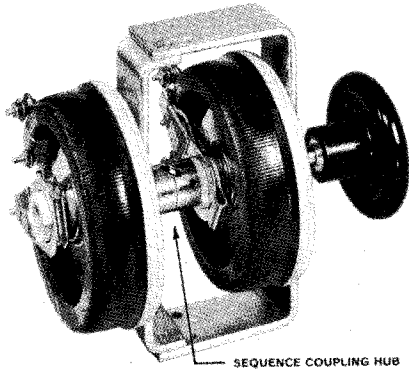


Fig. 51: Sequence-couple rheostats

“Sequence Coupling” is a method (Pat. No. 3,127,582) of coupling two rheostats in tandem so that they can be rotated by a single knob, in succession (or “sequence”) rather than together as in conventional ganged devices. Either the “front” or “back” rheostat can be arranged to rotate first. Sequence coupling is obtained by means of a special hub which links the two rheostats.

Advantages of this feature are:

(1) *The physical size of tandem rheostat assemblies used for motor speed control can be reduced considerably.* Where conventional tandem rheostats are used in combined motor-armature, motor-field or combined motor-field, generator-field control, opposite halves of the two rheostats must be “zero” resistance to permit full current to be maintained in one circuit while the current is varied in the other circuit (Fig. 52). With sequence-coupled rheostats, however, each rheostat controls its circuit in turn while the other remains fixed at the maximum current position. Hence, the zero resistance halves are not required (Fig. 53) and rheostat size may be approximately halved.

(2) *Resolution of adjustment is significantly increased* because control is possible over approximately 650 degrees of rotation.

(3) *Sequence-coupled rheostats can be wound to provide, in combination, a taper, which permits a higher ratio of maximum to minimum current combined with high total resistance, than is otherwise feasible.*

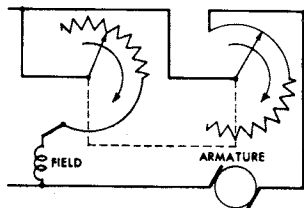


Fig. 52: Conventional tandem rheostat in field and armature circuit of motor.

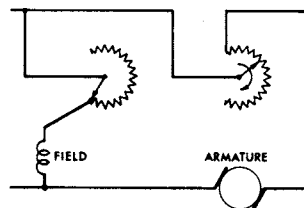


Fig. 53: Sequence-coupled rheostat in field and armature circuit of motor.

Rheostat Sizes: Sequence-coupled rheostats can be supplied in the following sizes:

Front Position (Adjacent to Knob End)—Models P, N, R, T, U (respectively 225, 300, 500, 750, 1000 watts).

Back Position—Models J, G, K, L, P, N, R, T, U (50, 75, 100, 150, 225, 300, 500, 750 and 1000 watts).

Note: The “front” or “back” rheostat actually can con-

sist of more than one rheostat, conventionally ganged, so that one group of rheostats is, in effect, sequence-coupled to another group.

Sequence: One of the following sequences of operation should be specified.

Sequence “A” Operation (Code Word: SECOA): When the knob is turned clockwise from the extreme counter-clockwise position, the “front” rheostat (closest to the knob) turns through its full rotation before the “back” one does. When the knob is turned in a CCW direction from the extreme CW position, then the back rheostat turns first.

Sequence “B” Operation (Code Word: SECOB): When the knob is rotated clockwise from the extreme CCW position, the back rheostat turns first.

Panel Thickness: Standard assembly accommodates up to 1¹/₁₆” panel; specify greater thicknesses.

Mounting Considerations: A tandem frame is normally arranged to mount on a panel in horizontal position. If the Sequence Coupling Dial is desired, and the frame must be mounted vertically on the panel, then the rheostat mounting screws must be countersunk in the panel.

Dimensions of sequence-coupled tandem assemblies are approximately the same as shown on page 20.* However, the frames are tapped for ¼–20 mounting screws only, even where there are three or more rheostats in tandem. An end support may therefore be required. Motor Drives can be supplied. Submit requirements.

*The “W” dimension for Model U rheostat changes to 3³/₄” and the “A” dimension to 7³/₁₆” in a sequence coupling arrangement.

Sequence Coupling Dials

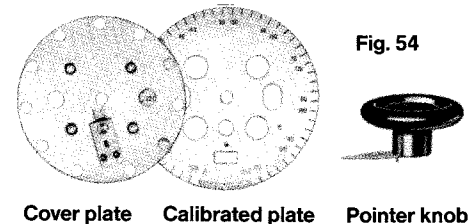


Fig. 54

Cover plate Calibrated plate Pointer knob

A “sequence-coupling” dial and knob are available which provide a specific reading for every setting of the knob throughout its double (approximately 650 degree) rotation. Between the points where one rheostat stops and the other begins its rotation, the movable (calibrated) plate is tripped by a pin on the knob pointer. This plate shifts to expose one of two sets of numbers (0-100, or 100-200) through holes in the cover plate.

The sequence coupling dial assembly is held on the panel by four-self-tapping screws. A choice of dials is available to accommodate the screws used in mounting the rheostat.

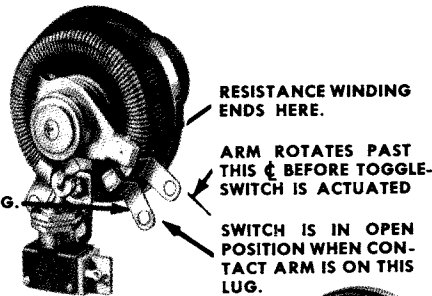
Sequence Coupling Dial and Knob Kits

| Front Rheostat* | Rheostat Mounting Screws | Dial-Knob Kit Cat. No. | Requires Rheostat †Frame |
|-----------------|--------------------------|------------------------|--------------------------|
| P to U | Flat Hd. | 5020 | Hor. or Vert. |
| P | Round Head | 5021 | Horiz. Only |
| N | | 5022 | |
| R | | 5023 | |
| T or U | | 5024 | |

*Next to panel. †See “Mounting Considerations” above.

Toggle Switches

Fig. 56: Model J with toggle switch and extra lug



ARM ROTATES PAST THIS POINT BEFORE TOGGLE SWITCH IS ACTUATED. SWITCH IS IN OPEN POSITION WHEN CONTACT ARM IS ON THIS LUG.

Fig. 55: Model J with toggle switch

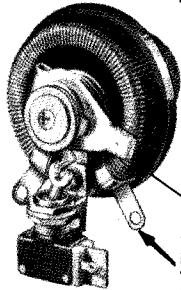
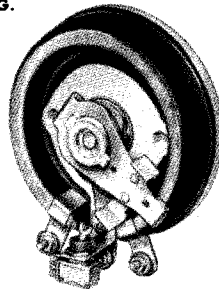


Fig. 57: Model P with dwell operation toggle switch



Description: The toggle switch is operated with a positive snap after the rheostat arm has been rotated through from 30° (Model H) to 5° (Model U) approximately. The operation takes place while the rheostat contact is on the end lug only on Model P rheostats or larger. Depth of rheostat is increased approximately 1/2" except on Model R, it is 3/8". Two switches can be mounted on the same rheostat, to operate at opposite ends of rotation.

Application: When an auxiliary switch must be operated with a minimum amount of rheostat shaft rotation, or operation of the switch must occur at a closely specified angular location, regardless of direction of rotation, a sensitive, snap action switch (such as a "Micro-Switch") is required. Functions are otherwise the same as for a toggle-switch. These switches are also used when certain MIL specifications must be met. Depth of rheostat behind panel is increased 3/4" approximately.

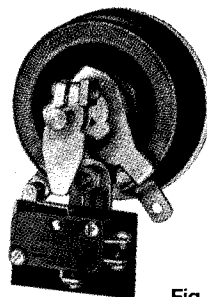


Fig. 58: Rheostat with sensitive switch

Standard Lugs: Toggle switch opens the rheostat circuit or switches an independent circuit. Recommended for 115V service on all models.

Extra Lug: Enables switching of rheostat and an independent circuit. Also used on Models H, J, G, K and L when the operation of the switch must occur outside the limits of resistance change. For all models.

Dwell Operation: Switch is operated at either end of rotation and remains in same state when direction of shaft rotation is reversed, until the other end of the rotation, where the switch is re-set. Action accomplished by double-pronged operating lever which pushes, but cannot pull, the toggle switch lever at both ends of rotation. Used to extend range of rheostat by alternately adding or removing a series resistor; also for motor reversal. Available on any model rheostat.

| Toggle Switch Rating 125V. AC or DC | Type Numbers | | | | | |
|---|----------------|---------|----------------|---------|-------------|---------|
| | With Std. Lugs | | With Extra Lug | | Dwell Oper. | |
| | *C.C. End | *C. End | *C.C. End | *C. End | *C.C. End | *C. End |
| SPST-N.O., † 6A | 355 | 455 | 357 | 457 | 355D | 375D |
| SPST-N.C., † 6A | 375 | 475 | 377 | 477 | 375D | 355D |
| DPDT, 6A | 360 | 460 | 363 | 463 | 360D | 360D |
| SPDT, 3A | 346 | 446 | 348 | 448 | 346D | 346D |
| SPDT, 12A | 346A | 446A | 348A | 448A | 346AD | 346AD |
| DPDT, 15A, AC | 360A | 460A | 363A | 463A | 360AD | 360AD |

*Rotation observed from knob end of shaft, clockwise or counter-clockwise.
†Switch position when rheostat arm is on lug.

Sensitive Switches

Description: A basic size, or a small size, sensitive switch and actuator are mounted by means of a bracket and operated by a lever or cam attached to the rheostat shaft or contact arm. Available on any model. As listed in the table, the mechanism can be arranged to operate the switch at either end of rotation, or at any intermediate point. When ordering the latter type, the point of operation (and tolerance on location) must be specified in degrees, as well as the type of switch.

Switch Rating Notes: For tungsten filament lamp loads the size B switch rating is 30A. inrush and normal 3A. A size BA switch is also available rated at 20A. and lamp load of 75A. inrush, 10A. normal; ordered by adding A to the Type No. Special SPDT switches for 125V. DC with rating of 10A., non-inductive circuit, can be specified by adding MT to Type No. 381 or 481.

| Sensitive Switch | | | | Type Number | |
|------------------|----------------------|------|---------------------|------------------------|----------------|
| Contact Form | Rating | Size | Rheostat Model | Counter-clockwise End* | Clockwise End* |
| SPDT | 15A. 125/250 VAC | V | E, H, J, G, K, L | 380 | 480 |
| SPDT | 15A† 125/250/480 VAC | B | K, L, N, P, R, T, U | 381 | 481 |
| SPDT | 5A. 125/250 VAC | SM | E | 379 | 479 |
| DPDT | 10A. 125/250 VAC | DT | P, N, R, T, U | 385 | 485 |
| DPDT | 10A. 125/250 VAC | D | H to U | 386 | 486 |

†20A rating available for dwell operation in which switch remains actuated thruout desired angle of rotation.

*Rotation observed from knob end of shaft

| Switch Description | | | |
|--------------------|-----------------------------|-------------------|----------------------|
| Size | Dimensions | Terminals | Trade Name or Equiv. |
| B | 1 1/16" x 2 7/32" x 1 1/16" | Solder lugs, std. | Micro Switch Basic |
| V | 1 3/32" x 5/8" x 1 3/32" | Screws, std. | Micro Switch V-3 |
| DT | 1 3/16" x 1 1/4" x 1 1/16" | Screws, std. | Micro Switch DT-2R |
| D | 1 1/4" x 7/16" x 1/2" | Solder lugs, std. | Licon 22-104 |
| SM | 2 5/32" x 2 3/64" x 1/4" | Solder lugs, std. | Micro Switch 1SM1 |

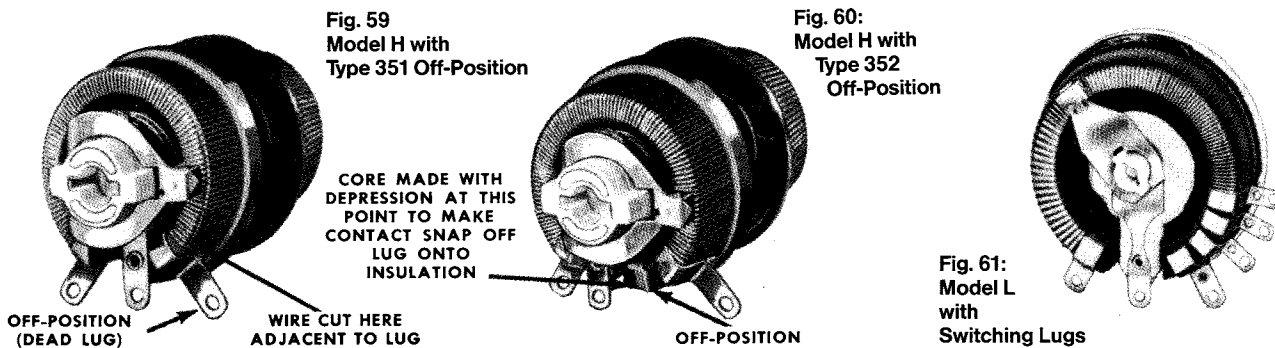


Fig. 59
Model H with
Type 351 Off-Position

Fig. 60:
Model H with
Type 352
Off-Position

Fig. 61:
Model L
with
Switching Lugs

CORE MADE WITH
DEPRESSION AT THIS
POINT TO MAKE
CONTACT SNAP OFF
LUG ONTO
INSULATION

OFF-POSITION
(DEAD LUG)

WIRE CUT HERE
ADJACENT TO LUG

OFF-POSITION

Dead-Lug Off-Position

Application: To open the rheostat circuit at the high resistance position. For light-duty and medium resistance values.

Description: The resistance winding is disconnected at one lug so that the circuit is opened as the contact passes onto the lug. This is the simplest construction. For fine wire rheostats, or units for heavy current or frequent adjustment, Type 353 (this page) is recommended.

Clockwise End Position (as illustrated) Type No. 351
Counterclockwise End Position Type No. 451

Snap-Action Off-Position

Application: The most popular form for general service. Opens the rheostat circuit at either the high or low resistance end.

Description: The circuit is opened as the contact brush snaps into an insulated notch next to the lug. Provides definite indexing action.

Additional Detent: The lug at the off-position end of the winding can be provided with an embossed ridge which provides a detent effect on the rotation to signal the operator (by sense of feel) the approach to the off position.

Cut-Off Lug: The projecting part of the lug at the off-position can be omitted on any style off-position when specified on order. Add "COL" suffix to Type Number.

| Location (From Wire Side View) | Std. Type No. | With Detent |
|-----------------------------------|------------------|----------------|
| Clockwise End | 352 | 352A |
| Counter-clockwise End | 452 | 452A |

Dead-Section Off-Position

Application: To open the rheostat circuit at either the high or low resistance position. Used mostly for medium duty apparatus type applications where no indicated off-position is desired.

Description: The circuit is opened as the contact brush passes off the lug onto an insulated section at the same level—otherwise similar to Fig. 60.

Position at Right (Standard) Type No. 353
Position at Left (Opposite) Type No. 453

Off-Position Ratings

Toggle switches should be used generally for line voltage applications and direct current use above 20 volts. The exact current and voltage rating of an off-position depends on the specific circuit in which it is used. The use of a capacitor for spark suppression is generally helpful on direct current.

Switching Lugs

Application: The addition of switching lugs to a rheostat is not for the purpose of an off-position but rather to add a tap switch action at the end of the rheostat winding so as to achieve the effect of a special tapered winding of a type not otherwise possible.

Description: As shown in Fig. 61, several insulated lugs, to the number desired, are located near the end of the rheostat rotation. They are to be connected to external resistances which are switched into the circuit by the rheostat contact brush. If Switching Lugs are required, advise quantity and placement.

BRIDGED GAP AND 360° WINDINGS FOR UNLIMITED ROTATION

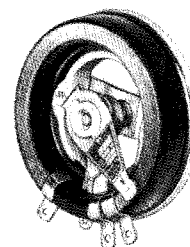


Fig. 62:
Model N with
bridge for un-
limited rotation

Switching Lugs Code Word: ZAPIN

Rheostats can be constructed without stops and with a track between the ends of the winding to provide for unlimited rotation. Rheostats can also be made with 360° cores and continuous winding, with taps as required.

Bridged Gap Feature Code Word: BRIGA
360° Winding Feature Code Word: CIRWI

Rheostat Additional Features

OHMITE[®]
Manufacturing Company

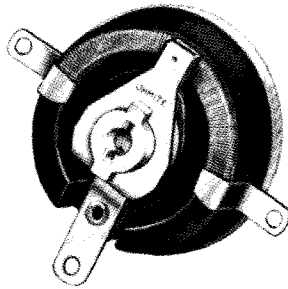


Fig. 63
Rheostat with less than
standard winding angle

Rheostats can be supplied with winding spaces and angles of rotation less than standard. The wattage rating of such rheostats is reduced approximately in proportion. For example, a Model J rheostat, 50 watts rating, when provided with a winding of 180° from center of lug to center of lug, would be reduced to 180/300 x 50, or 30 watts rating. The rotation specified is from stop to stop, which is approximately 15° more (varying with the model) than the degrees occupied by the winding alone, because of the width of the terminal lugs.

Less than Standard Rotation and Winding Feature **Code Word: LESWI**

Special Stops

Rheostats can be supplied with a fixed or an adjustable stop limiting the angle of rotation to any desired part of the total possible rotation. Generally, such rheostats are used where it is desired to leave a certain amount of resistance in the circuit at all times. However, a standard rheostat and separate resistor are often to be recommended. An adjustable stop increases the projection behind the panel by approximately 1/2".

Fixed Minimum Stop Feature, All Models **Advise Placement**
Adjustable Stop Feature, Back of Panel—All Models **Advise placement**
For Adjustable Stop Feature, Front of Panel—Models P to U only **Advise placement**

Tapped Windings

Rheostats can be supplied with taps at any point or points on the winding. The tap is usually a lug of the same dimensions as the regular terminals. An adjustable tap can be provided, also.

Rheostats with lower than normal torque are sometimes wanted when they are to be remotely controlled and operated by very small motors. Low torque is accomplished by eliminating friction at the center-lead by omitting the compression spring and using a flexible shunt connection to the contact (see Flexible Shunt). The torque for any given rheostat model will be somewhat greater on low resistance units than on high resistance units.

Low Torque Feature **Code Word: LOTOR**

REDUCED TORQUE RHEOSTATS

| Rheostat Model | Approx. Torque | Rheostat Model | Approx. Torque |
|----------------|----------------|----------------|-------------------|
| H | 1.5-3 oz. in. | P | 1.25-2.25 lb. in. |
| J | 2-3.5 oz. in. | N | 1.25-2.25 lb. in. |
| G | 2-4 oz. in. | R | 1.25-2.25 lb. in. |
| K | 3-5 oz. in. | T | 1.25-2.25 lb. in. |
| L | 3-6 oz. in. | U | 1.25-2.25 lb. in. |

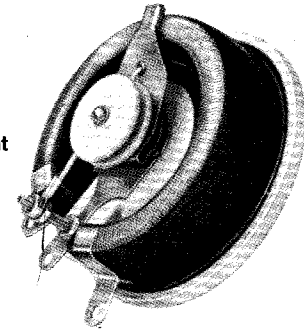


Fig. 64: Rheostat with flexible shunt and low torque

Flexible Shunts

Rheostats can be equipped with a flexible shunt directly connecting the moving contact and the center-lead. This is sometimes called for when the circuit requires that even minute variations in slip-ring to center-lead resistance be eliminated.

Flexible Shunt (5 Amps. Max.) For H, J, G, K, L **Type No. 204**
Flexible Shunt (Over 5 Amps.) J, G, K, L, P, N, R, T, U **203**

Quick-Connect Terminals

Terminals to receive standard female "quick-connectors" or "push-on" connectors can be provided on most rheostats. In addition to single terminals, a double or twin terminal permitting two connections at one terminus is also available.

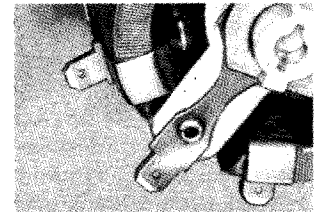


Fig. 65: Typical rheostat with terminals for push-on connection

| Terminal† | | For Rheostats |
|-------------|---------|------------------------------|
| Width | Number | |
| 3/16" | 53-18B | H |
| 1/4" | 53-25D* | H, J, G, K, L, P, N, R, T, U |
| 1/4" (Twin) | 53-25DT | H, J, G, K, L, P, N, R, T, U |

*53-25B and 53-25BT also available. Three-way type--accepts standard 1/4" female quick connector, 6-32 screw and nut or soldering.
†Provided at all three rheostat connections unless otherwise specified.

Other Terminals

Model H rheostats can be provided with special size terminals with .156" diameter holes to receive No. 6 screws, maximum.

Terminals for No.6 Screw on Model H **Type 56**

Welded Nuts on Terminals

Rheostats can be provided with nuts welded to the terminals to permit screwdriver fastening of connections. Screws are not provided unless specified. Positions are specified from wire-side view. Nuts are No. 6-32 on Model H and No. 8-32 on larger models.

Clockwise lug and center lead **Type 55A**
Counter-clockwise lug and center lead **Type 55B**
All three terminals **Type 55C**

Terminal Bolts

| Description | Cat. No. |
|--|----------|
| For Model H-3 sets each consisting of: 1 No. 2-56 x 1/2" screw, 2 hex. nuts and 1 lockwasher | 5075 |
| For Models J, G, K or L-3 sets each consisting of: 1 No. 8-32 x 1/2" screw, 2 hex. nuts, 1 each flat, cup and lock washers | 5077 |
| For Models P, N, R, T, U-3 sets each consisting of: 1 No. 8-32 x 3/8" screw, 2 hex. nuts, 1 each flat, cup and lock washers | 5079 |

Rheostat Knobs, Dials, Brackets

OHMITE®

Manufacturing Company

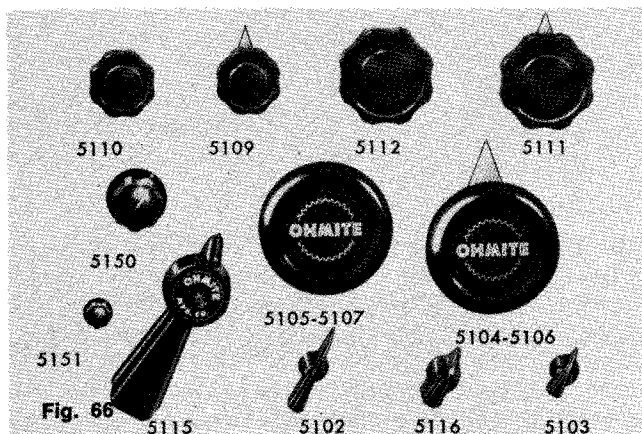


Fig. 66

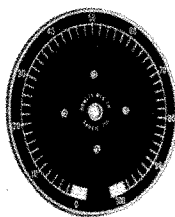
Rheostat Knobs

Knobs are made of black plastic and fasten by means of two screwdriver slotted set screws (except No. 5102, 5103, 5150 and 5151 which have one screw). Knobs can be ordered with hexagon socket set screws by adding suffix -A to catalog number. Indicating lines are white filled; pointers are bright plated. Any knob can be used with any model of rheostat having the corresponding shaft diameter. Knob No. 5116 is recommended for general use where a small bar type knob is wanted. Knobs must be specified on order, when desired.

| Description | Knob Dia. | Hole Dia. | Pointer Radius | Cat. No. |
|---|-----------|-----------|----------------|----------|
| Bar Knob, 2 1/4" long | — | 1/4" | 1 1/8" | 5102 |
| Bar Knob, 1 1/4" long | — | 1/4" | 5/8" | 5103 |
| Handwheel with Pointer | 3 1/4" | 3/8" | 2 3/32" | 5104 |
| Handwheel without Pointer | 3 1/4" | 3/8" | — | 5105 |
| Handwheel with Pointer | 3 1/4" | 1/4" | 2 3/32" | 5106 |
| Handwheel without Pointer | 3 1/4" | 1/4" | — | 5107 |
| Finger-Grip with Pointer | 1 1/8" | 1/4" | 1 3/32" | 5109 |
| Finger-Grip without Pointer | 1 1/8" | 1/4" | — | 5110 |
| Finger-Grip with Pointer | 2 3/8" | 1/4" | 1 1/32" | 5111 |
| Finger-Grip without Pointer | 2 3/8" | 1/4" | — | 5112 |
| Bar Knob, 4 1/4" long—Requires cross-pin and tapped hole in shaft | — | 3/8" | 1 1/8" | 5115 |
| Bar Knob, 1 1/2" long | — | 1/4" | 3/4" | 5116 |
| Finger-Grip without Pointer | 2 3/8" | 3/8" | — | 5124 |
| Finger-Grip with Pointer | 2 3/8" | 3/8" | 1 1/32" | 5130 |
| Bar Knob, 1 1/2" long, AN-3220-3 Military Style—Dull Finish | — | 1/4" | 3/4" | 5136 |
| Finger-Grip | 1 1/2" | 1/4" | — | 5150 |
| Finger-Grip | 3/4" | 1/8" | — | 5151 |

*"D"-Shaped hole to fit 1/32" deep flat.

Fig. 67: Typical rheostat dial



| Standard Dials For Rheostat | Dial Diam. | Catalog No. |
|-----------------------------|------------|-------------|
| H, J, G, K, L | 2 1/8" | 5000 |
| P, N, R, T, U | 5 1/2" | 5001 |
| C, E | 1 1/4" | 5007 |

Rheostat Dials

Dials are made of aluminum with the figures and lines natural aluminum on an etched black background. Dials are calibrated to indicate the approximate percentage of resistance in the circuit (clockwise increase). Dials No. 5000 and 5007 are secured by the rheostat mounting nut. Dial No. 5001 is separately fastened by means of No. 6 screws, or it can be held by the rheostat mounting screws.

Mounting Nuts

Standard Nut: 3/8"-32 threaded hexagonal 3/16" across flats by 3/32" thick, zinc plated steel Cat. No. 6500

Rheostat Mounting Brackets

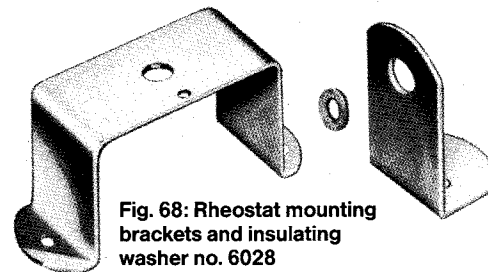


Fig. 68: Rheostat mounting brackets and insulating washer no. 6028

Mounting Brackets are made of zinc-plated steel. They furnish a convenient mounting for units located and controlled on the rear of a panel, in an enclosure or for "breadboard" construction.

HORIZONTAL TYPE

| For Models | Mtg. Hole Centers | Mtg. Hole | | Width | Height | Cat. No. |
|------------|-------------------|-----------|----------------|---------|---------|----------|
| | | Dia. | For Max. Screw | | | |
| H, J | 3" | 3/16" | No. 8 | 2 1/16" | 1 1/16" | 6520 |
| G, K, L | 5" | 3/16" | No. 8 | 4 3/16" | 2 3/16" | 6521 |

VERTICAL TYPE

| For Models | Mtg. Hole Centers | Mtg. Hole | | Height to Shaft Center | Hole Size | Cat. No. |
|------------|-------------------|-----------|----------------|------------------------|-----------|----------|
| | | Dia. | For Max. Screw | | | |
| H, J, G | 1 1/2" | 5/16" | No. 6 | 1 1/8" | 1/2" | 6522* |
| H, J, G | 1 3/2" | 5/16" | No. 6 | 1 1/8" | 3/8"† | 6523 |

*Supplied with insulating fibre bushing, Cat. No. 6028, as illustrated, for 3/8" dia. bushing of rheostats, to provide additional insulation to ground.

†Includes 3/16" dia. hole at 1/2 center for standard non-turn washer.

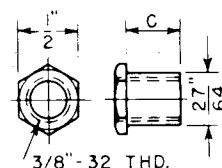


Fig. 69

Shoulder Type Mounting Nuts

Shoulder nuts are used when it is desired to have the end of a screw-driver slotted shaft below the top of the mounting nut. The nuts are tapped 3/8"-32 and require a 7/16" diameter hole in the panel. Refer to page 17 for more information on use.

- Shoulder Nut, "C" = 7/32" Cat. No. 6056
- Shoulder Nut, "C" = 15/32" Cat. No. 6057

Non-Turn Washers

To prevent rheostats which are mounted by a single bushing, such as the Models H, J, G, K, (and sometimes L) from turning on the panel, they are provided with a washer which has a projecting lug to fit into an additional hole in the panel. The lug can be ordered located at any 90° position, and it can be bent down if not wanted. Supplied in "6 o'clock" position unless otherwise specified.

- Standard Non-Turn Washer—"B" = 5/32" Cat. No. 5050
- Long Tip Non-Turn Washer—"B" = 1/4" Cat. No. 5051
- Narrow Tip Non-Turn Washer—"B" = 5/32" x 1/8" Cat. No. 5052

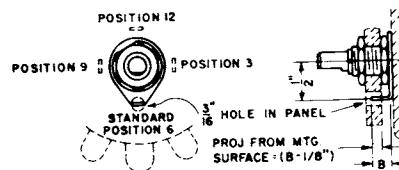


Fig. 70: How non-turn washer is used.

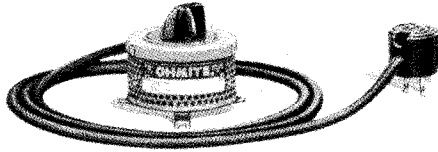


Fig. 71: Table-mounted cage for Model J with Series Plug Terminal No. 607

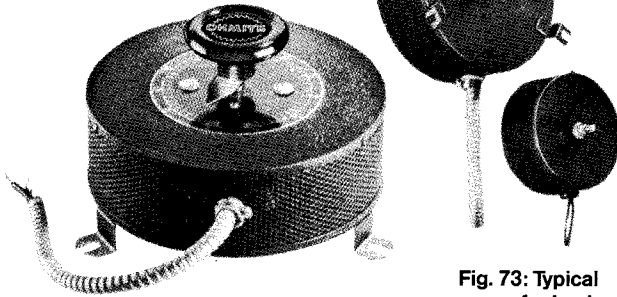


Fig. 72: Table mounted cage for Model R with Terminal No. 604

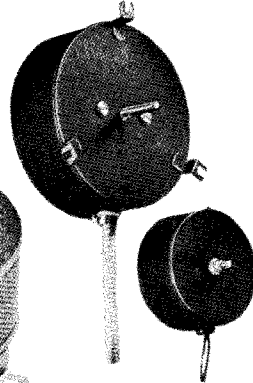


Fig. 73: Typical cages for back-of-panel mounting.

Application: A ventilated enclosure should be used when a rheostat is to be mounted where there is possibility of mechanical injury or likelihood of human contact with electrically "live" parts. Cages also provide a convenient means of table top mounting and are a necessity for portable applications. Classifications of cages per NEMA definitions are given under that heading. Dustproof cages are frequently used where there are unusual amounts of dust or particles in the air.

Cage Wattage Ratings: Rheostats in ventilated enclosures can be used at full wattage, but rheostats in dustproof enclosures must generally be operated at reduced wattage to avoid overheating caused by the absence of ventilation. Rheostats in circuits where the ratio of maximum to minimum current exceeds 2 can be operated at full rating, but rheostats where the current ratio is less, should be operated at not over 50% of the free air wattage.

Cage Types: A variety of cages are available to meet different requirements. Standard cages are the General Purpose Ventilated Type GPV or Dustproof Type GPD. Lightweight Sealed Type LWD, Explosion-proof EXP, Weather-proof or Watertight Type WP, Drip-proof Type DP, Gastight Type GTR, Hermetically Sealed (Gas or Air Filler) Type HSG and Fluid Filled HSF are also available in some sizes.

Standard General Purpose Cages

Description: Ventilated cages have perforated metal sides and are gray wrinkle finished. Dustproof cages are similar but without ventilating holes.

| TERMINAL TYPES | | |
|--|--------------|----------|
| Cages can be supplied with terminals as listed below | | |
| Terminal | Available On | Type No. |
| Binding Posts—2 Terminals | L,P,N,R,T,U | 601 |
| Binding Posts—3 Terminals | L,P,N,R,T,U | 602 |
| Wire Leads—2 Asbestos Insulated Wires, 6 inches long | All | 603 |
| Wire Leads—3 Asbestos Insulated Wires, 6 inches long | All | 622 |
| BX Cable—2 Conductor, 6 inches long | P,N,R,T,U | 604 |
| BX Clamp and 6" Wire Leads | P,N,R,T,U | 605 |
| Pipe Flange for 1/2" Conduit, with 2 Wire Leads, 6 inches long | L,P,N,R,T,U | 606 |
| Line Cord—6 ft., Heater (Type HPD) with Series Plug | All | 607* |
| Line Cord—6 ft., Heater Type with Rubber Covered Cord (Type HSJ and Series Plug) | All | 607R* |
| Line Cord—6 ft., Heavy Duty Rubber Covered with Heavy Duty Plug | All | 628 |
| Line Cord—6 ft., Heavy Duty Rubber Covered with Grounding Terminal Plug | All | 623 |
| 90° Elbow "Condulet" fitting with 3-wire leads | P,N,R,T,U | 624 |
| Outlet Box 4" x 4" with 3 Terminal Strip | P,N,R,T,U | 625 |
| Outlet Box 4" x 4" with 6 Terminal Strip | P,N,R,T,U | 626 |
| Screw and Nut Terminals—3, with Coverplate and 7/8" dia. hole for BX fitting, etc. | P,N,R,T,U | 627 |

*Specify No. 607G or 607GR if grounding plug is required.

STANDARD VENTILATED AND DUSTPROOF RHEOSTAT CAGES

| For Rheostat Model† | H | J | G | K | L | P | N | R | T | U |
|---|---------|----------|--------|--------|--------|--------|--------|--------|---------|---------|
| Cage Diameter | 2 3/8" | 3 1/8" | 3 3/8" | 3 3/4" | 4 1/2" | 7 1/2" | 7 1/2" | 9 1/2" | 13 3/8" | 13 3/8" |
| Height or Depth Behind Panel | 2" | 2" | 2 3/8" | 2 3/8" | 2 3/8" | 3 3/4" | 3 3/4" | 4 1/4" | 4 1/8" | 4 1/8" |
| Mounting Bolt Radius | 1 9/16" | 1 15/16" | 2 1/4" | 2 1/4" | 2 5/8" | 4 1/4" | 4 1/4" | 5 1/2" | 7 3/8" | 7 3/8" |
| Mounting Bolt Slots (120° Apart) for Screw Size | No. 10 | No. 10 | No. 10 | No. 10 | No. 10 | 1/2" | 1/2" | 1/2" | 1/2" | 1/2" |
| Approximate Weight, Pounds (without rheostat) | 0.18 | 0.26 | 0.41 | 0.41 | 0.53 | 1.25 | 1.25 | 2.0 | 6.8 | 6.8 |
| Table Mounted Ventilated Cage Cat. No. | 6550 | 6551 | 6552 | 6553 | 6554 | 6555 | 6556 | 6557 | 6558 | 6559 |
| Table Mounted Dustproof Cage Cat. No. | 6570 | 6571 | 6572 | 6573 | 6574 | 6575 | 6576 | 6577 | 6578 | 6579 |
| Equipment | A | A | A | A | A | C | C | C | C | C |
| *Back-of-Panel Ventilated Cage Cat. No. | 6560 | 6561 | 6562 | 6563 | 6564 | 6565 | 6566 | 6567 | 6568 | 6569 |
| *Back-of-Panel Dustproof Cage Cat. No. | 6540 | 6541 | 6542 | 6543 | 6544 | 6545 | 6546 | 6547 | 6548 | 6549 |
| Equipment | B | B | B | B | B | C | C | C | C | C |

*Models H, J, G, K, L mount by means of rheostat bushing on panels up to 3/16" thick. Models P, N, R, T, U mount by means of 3 screws on panels up to 1/2" thick except 1" on Models P and N.

†For Model E rheostat cages, see pages 9 and 29.

Equipment A: Terminal No. 603, Knob No. 5116, Dial No. 5000.
Equipment B: Terminal No. 603, Knob No. 5150.
Equipment C: Terminal No. 604, Knob No. 5105

NEMA-NEC Enclosure Classifications

The "National Electrical Manufacturers Association" (NEMA) Industrial Standards IC-2-128 provides for a variety of enclosures to meet different ambient conditions.

Listed below are the principal types, the corresponding National Electrical Code designations (from article 500) and the equivalent Ohmite type designations.

| NEMA (National Electrical Mfg. Association) | | NEC (National Electrical Code) | | DESCRIPTION PER STANDARDS | OHMITE TYPE DESIGNATIONS | |
|---|---------|--------------------------------------|--------|--|--------------------------|--|
| TYPE | CLASS | CLASS | GROUP | | TYPE | DESCRIPTION |
| I | | | | General Purpose Ventilated or Closed (Dustproof) | GPV (or GPD) | Sheet Metal Enclosure with Perforated Metal Sides |
| IA | | | | Semi Dust-Tight | GPD | Sheet Metal Enclosure |
| V | | III & IV | | Dust-Tight | EXP | Heavy Walled Cast Enclosure with Threaded Cover Fastening (or Ground Joints) "Explosion-Proof" |
| VII | I | I | C, D | Hazardous Locations (Gas) | | |
| IX | II, F&G | II | E, F&G | Hazardous Locations (Dust) | | |
| III | | | | Weather-Resistant | WR | Cast Enclosure with Gasketed Cover and Shaft |
| IV | | | | Watertight | | |
| XII | | | | Industrial Enclosure—Dirt and Oilproof | | |

Note: As size, weight, delivery time, and cost vary greatly with the type of enclosure, the exact type required should be carefully considered before making a selection.

Series Plug Terminal

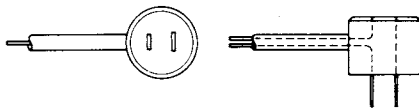


Fig. 74: Series Plug No. 6050 for Terminals No. 607 and No. 607R

Application: For connecting a rheostat (or resistor) in series with a load and the line by simply plugging the load attachment plug into the series plug which itself is plugged into the power receptacle. Also available with grounding terminal.

Description: The series plug consists of a bakelite body

with a receptacle in the top and prongs on the bottom. The series plug is connected to the rheostat by means of a line cord.

Series Plug only Cat.No. 6050
 Series Plug with Grounding Pin Cat. No. 6050G
 Series Plug with 6 ft. Heater Cord Type No. 607*
 Series Plug with 6 ft. Rubber Cord Type No. 607R*

*Specify No. 607G or 607GR if grounding plug is required.

Heat or Other Control Rheostats

| Wattage of Device To Be Controlled | | Rheostat Control Cat. No. | Cage | | Net Weight lbs. |
|---------------------------------------|-------|---------------------------------|--------|--------|-----------------------|
| Watts | Volts | | Dia. | Height | |
| 40-65 | 115 | SRC65 | 3 1/8" | 2" | .58 |
| 85-100 | 115 | SRC100 | 3 1/8" | 2" | .58 |
| 120-150 | 115 | SRC150 | 3 3/4" | 2 3/8" | .93 |
| 175-220 | 115 | SRC220 | 3 3/4" | 2 3/8" | 1.05 |
| 300-350 | 115 | SRC350 | 4 1/2" | 2 3/8" | 1.63 |
| 430-500 | 115 | SRC500 | 7 1/2" | 3 1/4" | 2.25 |

Application: To control the temperature involved in heat-sealing, wax and solder pots, soldering irons, furnaces and for other uses within the specified current range.

Description: The rheostats listed are mounted in perforated, gray wrinkle finished metal cages with knob and dial, Series Plug and six-foot heater type cord as described above. Designed to reduce power in load by approximately 50% maximum, for 115V, use.

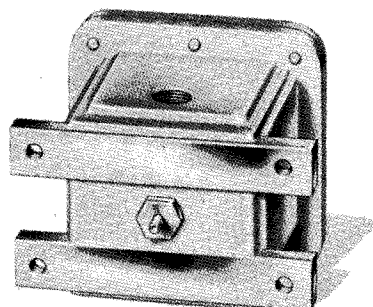


Fig. 76: A special explosion-proof rheostat enclosure

Explosion-Proof Enclosures

Ohmite explosion-proof enclosures are primarily for use in hazardous locations where the atmosphere may carry explosive gases or dust.

These enclosures meet the requirements of NEMA Type VII, Class I, Hazardous Locations (gas), (NEC Class 1, Group C and D); and NEMA Type IX, Class II, Groups F and G, Hazardous Locations (dust), (NEC Class II, Groups E, F and G). They also meet the requirements of NEMA Type V, Dust-tight, (NEC Class III and IV). The enclosures are made of thick-walled castings with accurately machined, tight fitting covers and tight fitting shaft. If explosive mixtures penetrate the enclosure and are ignited by a spark or heat, the flame will be extinguished by cooling as the products of combustion go through the small clearance openings, thus preventing ignition of the explosive mixture on the outside of the enclosure. Enclosures for surface mounting or back of panel, can be supplied for Models H to U single or two in tandem. Further information will be supplied for specific requests.

'Hermetically' Sealed Rheostats

To completely isolate rheostats from the ambient atmosphere, rheostats can be supplied in 'hermetically' sealed enclosures. Terminals are brought out through glass seals. The shaft is sealed by a special O-ring. The enclosures may be filled with dry gases or various liquids. Recommendations will be made for specific cases.

Sealed
Lightweight
Enclosures For
Rheostat
*Models
E, H, J, G, or K

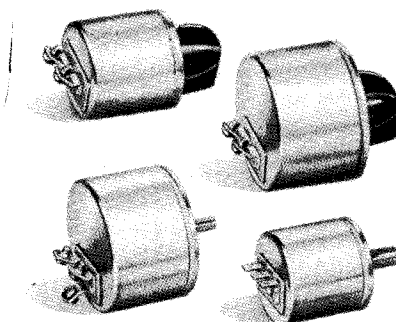


Fig. 77

Compact enclosures, made from lightweight drawn cups, and equipped with two or three screw terminals (or 3 solder lugs), as required, are available for the Model E, H, J, G, and K rheostats. They are dust-tight, but not hermetically sealed. The enclosures are permanently closed by a rolled double seam. The Model E, H and J enclosures correspond to the sizes called for in Military Specifications MIL-R-22 and Models H and J as included in MIL-R-6749. When units are desired to meet the MIL specifications, they should be ordered by the code designation of the pertinent specification. Commercial types are listed in the table. Unless otherwise specified, rheostats ordered with off-position will have three terminals.

*Model C normally enclosed; Model E stocked enclosed and unenclosed—see page 9.

| Model | Description | | | Avg. Wt. With Rheo. Pounds | Cat. No. |
|-------|-------------|--------|--------|----------------------------|----------|
| | Terminals | Dia. | Length | | |
| E | 2 | 1 3/4" | 1 7/8" | .06 | 6584A |
| E | 3 | 1 3/4" | 1 7/8" | .06 | 6584B |
| H | 2 | 1 3/4" | 1 3/4" | .30 | 6580A |
| H | 3 | 1 3/4" | 1 3/4" | .30 | 6580B |
| J | 2 | 2 1/2" | 1 3/4" | .45 | 6581A |
| J | 3 | 2 1/2" | 1 3/4" | .45 | 6581B |
| G | 2 | 3 1/8" | 2 1/4" | .75 | 6582A |
| G | 3 | 3 1/8" | 2 1/4" | .75 | 6582B |
| K | 2 | 3 1/8" | 2 1/4" | .90 | 6583A |
| K | 3 | 3 1/8" | 2 1/4" | .90 | 6583B |

Note: Bushings for 1/4" thick panel, max., (1/8" for Model E) supplied as standard. Two terminals will be connected for counter-clockwise increase of resistance, as viewed from knob, unless otherwise ordered. When soldering lugs are wanted, they must be specified; add suffix L to Cat. No. Rheostat ohms, current, etc., must be specified.

Application: Rheostat control of the speed of fractional and integral horsepower motors is the most widely applicable method, is generally the simplest and is easily added to existing installations. Ohmite rheostats provide close, smooth, compact, convenient motor-speed control in countless industrial and appliance uses, such as:

| | |
|---------------------------|------------------------------|
| Arc Lamps | Respirators |
| Blue-Printers | Dental and Medical Equipment |
| Film Printers | Flame Cutters |
| Motion Picture Projectors | Machine Tools |
| Fans | Portable Tools |
| Blowers | Laboratory Mixers |
| Pumps | Model Trains |
| Unit Heaters | |

Advantages of Ohmite Rheostats: Smooth, close, continuously variable control, permanently good performance, freedom from deterioration, and compactness make Ohmite rheostats ideal for this services.

All Motors Not Speed Controllable: While all types of direct current motors can be speed-controlled, only a few kinds of alternating current motors are controllable, hence it is essential to obtain the correct type of A.C. motor when speed control is required. Speed controllable motors are listed in the table on page 31.

The following alternating current motors are not speed controllable: Split Phase, Repulsion Start-Induction Run, Repulsion-Induction, Capacitor Start and Run (except for special fan duty motors), Capacitor Start-Induction Run, Synchronous, and Squirrel Cage. No type of speed control is generally available for standard models of these motors because of the use of centrifugal starting switches, inherent constant speed or other design details.

Choice of Motor Depends on the Load: Only the universal motor (a form of series-wound motor) is available for service on both alternating and direct current. It is a high-speed type of motor (3000 to 15,000 R.P.M.) with strong starting torque. The speed varies widely with changes in the load. Generally, the rheostat setting for a given speed will be slightly different on A.C. than D.C. because the characteristics of a series motor change with the type of current. Resistors are often connected in the circuit on D.C. to make the characteristics more nearly identical with the A.C. characteristics. The shunt wound direct current motor has a very slight change of speed with loads.

Motor manufacturers find it necessary to change the inherent characteristics such as starting torque, running torque, etc., to suit different applications of the same motor and therefore rheostats, too, must be designed to

suit each particular application. In general, motors of similar rating made by different manufacturers require somewhat different rheostats for best control.

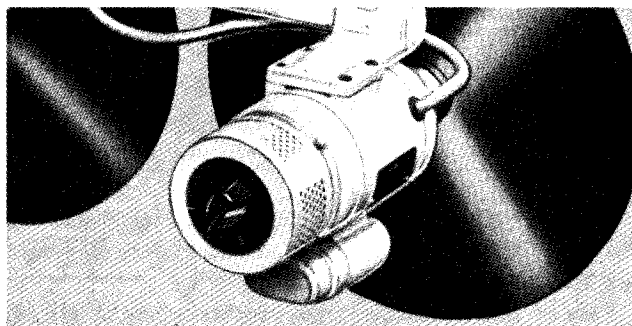


Fig. 79: An application of a rheostat in a special cage for motor speed control

Speed Control Laws for D.C. Motors: Speed is proportional to the voltage across the armature and inversely proportional to the field flux.

Torque (turning moment expressed in pound-feet or ounce-inches) is proportional to the product of the armature current and the field strength.

These laws apply to all forms of direct current motor speed control and help explain the principles underlying the different control circuits.

Different Types of Control: Several different types of control are shown in the table on page 31. A study of this table will help to show that the choice of control depends on:

1. Whether A.C. or D.C. or universal operation is required.
2. The type of motor.
3. The type and amount of load.
4. The exactness of speed control desired.
5. The speed range to be covered.

Another circuit, not shown, uses two rheostats connected in tandem, one in series with the armature and one in parallel with it. This circuit is used to produce very slow speed control of shunt wound motors.

In addition to the circuits shown, Ohmite rheostats are utilized on the motor-generator systems of speed control which are used on A.C. motors of integral horsepower sizes. There are also multi-speed variations of the circuits shown which utilize Ohmite Power Tap switches and Ohmite Fixed Resistors; also governor-controlled motors which utilize Ohmite Fixed Resistors. Ohmite VT Variable Transformers can also be used on AC; applications, or on DC in conjunction with a rectifier.

Rheostats with Reversing Switch: Rheostats with two separate windings and a toggle switch can be supplied for single knob speed control and reversing of D.C. motors. One winding controls forward speed, the other reverse.

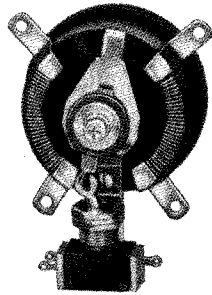


Fig. 80: A reversing-type, speed control rheostat

Rheostats Individually Designed: Loads have been classified for general calculation as (a) Machine Duty, where the current is assumed 80% at 50% speed, and (b) Fan Duty, where the load current is assumed as reduced to 40% of maximum at 50% of full load speed.

While loads have been grouped arbitrarily in the above two classifications, each application varies from these theoretical values to such an extent that for the best control, the rheostats must be designed for the particular application. This means that the actual currents and resistances under load must be obtained to permit proper design; the nameplate data from the motor is generally insufficient.

| Type of Control | Type of Motor | General Characteristics of Control | Circuit Diagram |
|---|--|---|-----------------|
| I. SERIES RHEOSTAT | D.C. Series or Shunt D.C. Permanent Magnet Universal A.C. Series A.C. Repulsion A.C. Shaded Pole | Most used for fractional H.P. appliances, A.C. or Universal, where the load is constant or variations in speed with load are unimportant. Speed will vary widely with the load. 50% reduction of full load speed is maximum used on larger motors—more on smaller motors—depends on type of load. | |
| II. ARMATURE SHUNT RHEOSTAT | D.C. Series A.C. Series Universal | Reduces speed but maintains torque. Speed will vary less widely with the load than with Series Control. 50% reduction of full load speed is maximum used on larger motors—more on smaller motors—depends on type of load. | |
| III. COMBINED ARMATURE SHUNT AND SERIES RHEOSTATS | D.C. Series A.C. Series Universal | Widest speed range—maintains torque—useful where load varies. Speed will remain fairly constant regardless of load. Range of 5 to 1 or more is possible depending on type of load. | |
| IV. ROTOR SERIES RHEOSTATS | A.C. Polyphase Wound Rotor | Standard method for wound rotor motors—also used on single-phase type. Speed will vary with the load. 50% reduction in speed is the maximum generally used. Greater reduction is possible. | |
| V. FIELD RHEOSTAT | D.C. Shunt | Most used type for integral H.P. industrial applications. Speed remains fairly constant at any load. Speed increases with added resistance. Range depends on motor design. Field must never be opened. | |
| VI. ARMATURE SERIES RHEOSTAT | D.C. Shunt | Used to lower speed. Speed will vary with load. Speed decreases as resistance is added. 50% maximum on larger motors. | |
| VII. COMBINED FIELD AND ARMATURE SERIES RHEOSTATS | D.C. Shunt | Used for widest speed range. Speed variation with load depending on position of control. Speed range depends on motor design. | |
| VIII. AUTO-TRANSFORMER WITH TAP SWITCH | Special A.C. Capacitor Motor | Used for fan type duty or other low starting torque, constant type of loads. will vary with load. Speed range depends on motor design. | |

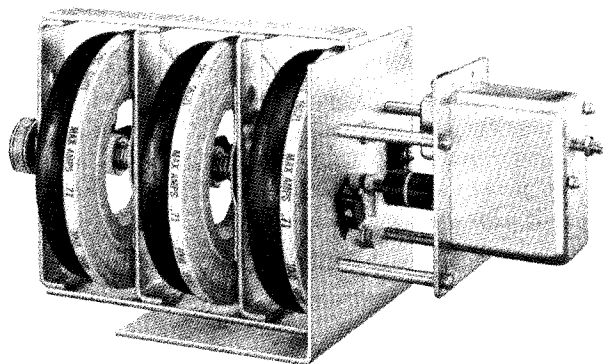


Fig. 81: Typical Ohmite motor-driven rheostat assembly

Ohmite rheostats, either single or in tandem, can be motor operated under remote control. While customers can adapt drives of their own to the rheostats, Ohmite offers standard reversible motor drives assembled to the rheostat of your choice. These standard drives encompass a selection of traverse speeds designed to meet the most frequent requirements and faster delivery can be provided on these. The standard drives are available with 115-volt DC or AC motors in traverse speeds as follows:

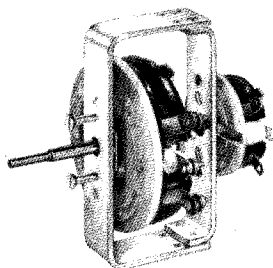
| TRAVERSE SPEED | |
|--------------------|--------------------|
| DC Motor (Seconds) | AC Motor (Seconds) |
| 3-4 | 4 |
| 10-12 | 8 |
| 40-50 | 16 |
| 100-120 | 30 |
| | 45 |

The standard arrangement includes the necessary limit switches and cams to stop traverse at the end of the rotational arc. Reversal is accomplished by moving a 3-position control switch to the "reverse" position. Users may also specify additional switches for programming associated equipment during the traverse of the rheostat.

Non-Standard Drives: Ohmite can adapt motor drives to meet applications where the requirements are so special that the standard motor driven assemblies are not suitable. Such requirements could include special speeds, 360 degree rotation using "bridged-gap" rheostats (page 24), self-reversing rotation, special auxiliary programming switches, slip clutches, combinations of rheostats and other controls such as transformers or composition potentiometers and other variations. Complete specifications in such cases must be submitted to Ohmite for engineering evaluation and quote.

Concentric Control Rheostat Assemblies

Fig. 82: Tandem assembly with rheostats independently controlled



Two rheostats can be separately controlled by means of concentrically located knobs. This may be done for convenience in operation, to conserve panel space, or where it may be desired to use one rheostat as a vernier for another.

The two rheostats are mounted on a tandem assembly frame with the shaft of the rear unit extending through the hollow shaft of the first. A hand-wheel, or knob, controls the rheostat closest to the mounting panel and a smaller knob controls the other rheostat.

Any combination of models of rheostats can be mounted for concentric control, with the larger rheostat preferably next to the panel. When the largest rheostat is no larger than a Model L, the hollow shaft is 1/4" diameter and the through-shaft is 3/16" diameter. When the larger rheostat is a Model P, N, R, T, or U, the standard hollow shaft is 3/8" diameter and the through shaft is 1/4" diameter. A hollow shaft of 1/2" diameter and through-shaft of 3/8" diameter can be supplied also. The tandem assembly can consist of more than two rheostats with the additional rheostats turning with either shafts. Mounting dimensions are similar to an equivalent standard tandem assembly. Write for further information for specific applications. Panel thickness must be given.

Combinations with Other Controls: Tap switches, low power wafer-type switches, composition potentiometers or variable transformers can be combined with rheostats in concentric control assemblies, with the auxiliary device operated by the through-shaft.

Concentric Control Tandem Mfg Code Word: CONCO

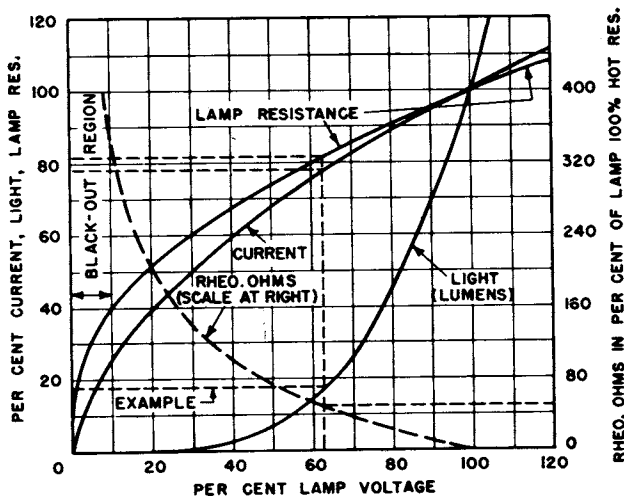


Fig. 83: Average curves for tungsten filament lamps

An Ohmite Rheostat, when connected in series with an incandescent lamp, provides ideally smooth, gradual control of light output from full intensity to any desired degree of dimming. Such control is utilized in photography (lighting of subjects, projection and contact printers, and safe lights); in medicine and dentistry (examination lights); in aviation (instrument lights); in advertising displays, theater stage lighting, and in other applications.

The size and resistance of the rheostat is determined by the lamp to be controlled and the amount of dimming desired. Because a larger rheostat or a tapered winding of more sections is needed for blackout than for 1% light, important economies can often be made if it is permissible to open the circuit before blackout. It is strongly recommended that the minimum amount of light desired be determined by a substitution trial or by measurement with a photo-electric light meter, as visual estimates generally are not sufficiently accurate.

The curves in Fig. 83 show the per cent lamp current, voltage, and resistance, and the per cent required rheostat ohms for any percentage of dimming. The curves apply to 115 volt standard tungsten filament lamps and, in general, to any other lower voltage tungsten filament lamp. Rheostats listed in the table cover the most common applications. They are unmounted units, taper wound as required. The second letter of the Catalog Number corresponds to the model, details of which will be found on pages 9 to 13. A knob, as listed on page 26, should be

ordered if one is desired. Our Engineering Department will be glad to recommend the proper rheostat for any special application on receipt of the following information:

Lamp type, volts and rated current, minimum light (in per cent of maximum), and off-position if wanted. For uncommon types of lamps, supply a sample for test or a curve of light and current versus volts.

LAMP DIMMING RHEOSTATS

| Lamp Watts | Minimum Brilliance of Light as Percentage of Full Intensity | | | |
|------------|---|--------|----------|----------|
| | 10% | 1% | ½% & Off | Blackout |
| 25 | LHA25 | LJB25 | LJC25 | LJD25 |
| 40 | LHA40 | LJB40 | LGC20 | LKD40 |
| 50 | LJA50 | LGB50 | LKC50 | LKD50 |
| 60 | LJA60 | LKB60 | LKC60 | LKD60 |
| 75 | LJA75 | LKB75 | LKC75 | LLD75 |
| 100 | LKA100 | LKB100 | LKC100 | LPD100 |
| 120 | LKA120 | LLB120 | LPC120 | LND120 |
| 150 | LKA150 | LLB150 | LNC150 | LND150 |
| 180 | LKA180 | LNB180 | LNC180 | LND180 |
| 200 | LLA200 | LNB200 | LNC200 | LND200 |
| §No. 1 | *LGA1 | LNB1 | LRC1 | LRD1 |
| §No. 2 | *LLA2 | LRB2 | LTC2 | LUD2 |
| §No. 4 | *LNA4 | LUB4 | †LTTC4 | †LUUD4 |

*50% light instead of 10%. †Two rheostats in tandem.
 ‡Light is reduced to ½% and then the circuit is opened by a No. 352 Off-Position.
 §Numbers 1, 2 and 4 are photoflood lamps which operate at 250, 500 and 1000 watts respectively.

Motor Driven Lamp Dimmers

Ohmite rheostats arranged for motor drive are often used as faders in advertising displays. Such rheostats are of the bridged gap type (page 24) for continuous rotation. Fig. 84 (A) shows a method of using one rheostat to fade between two lamp banks (both going out as the arm passes the center lead). Figure 84 (B) shows a method for gradually bringing a lamp from out to full on and back to out once every revolution.

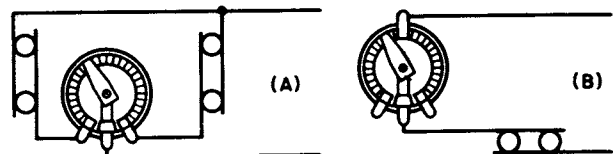


Fig. 84: Fader circuits arranged for continuous rotation

Rheostats for Military Specifications

OHMITE[®]
Manufacturing Company

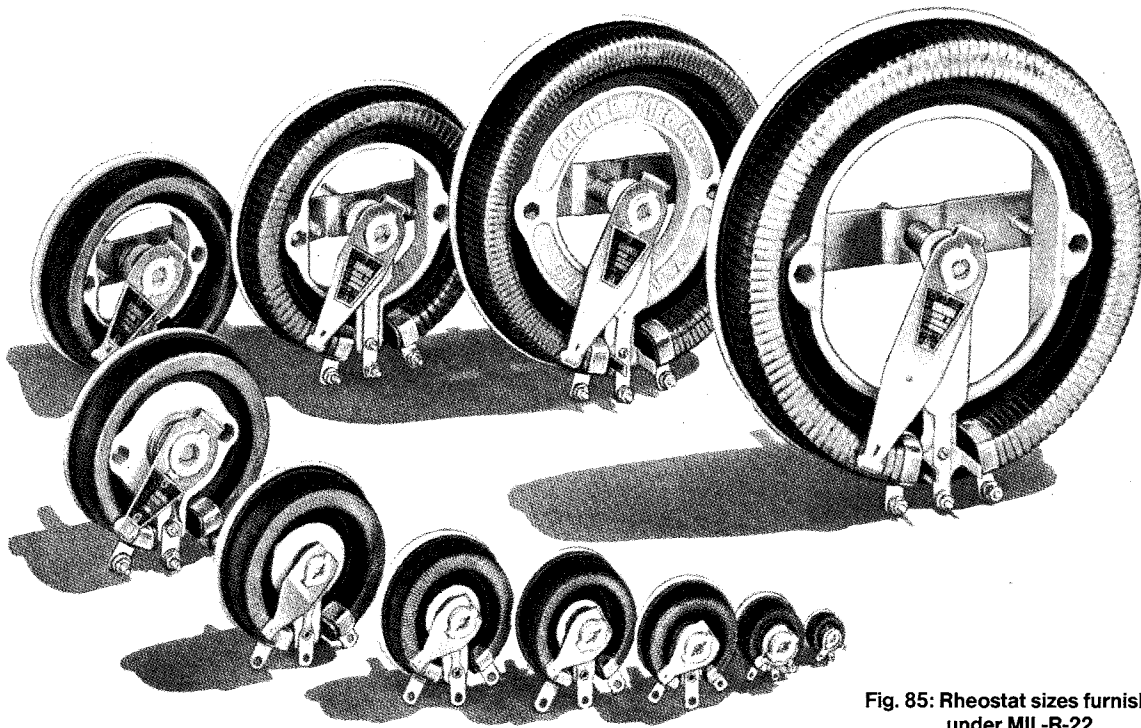


Fig. 85: Rheostat sizes furnished under MIL-R-22

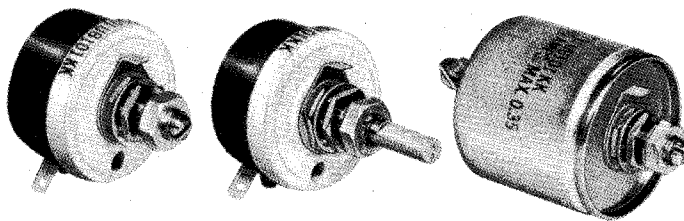
Ohmite power rheostats have seen service in military applications for many years. They have established their noted dependability in widely dispersed areas subject to the extremes of environment from the tropics to the arctic. Ohmite's inert, all ceramic and metal construction is the reason for the durability and ruggedness required to meet the exhaustive tests of the military specifications.

All of the styles (sizes) required by the fundamental rheostat specification, MIL-R-22 (Resistors, Variable, Wirewound, Power Type) from the tiny 5 watt Style RP05

(Model C) to the 1000-watt RP55 (Model U) are supplied by Ohmite with the various options required by the military options such as enclosures, locking shafts with slots or flats, off-positions, etc.

Ohmite also supplies rheostats to meet military specification MIL-R-6749 for Aircraft Rheostats. This specification covers 25 and 50-watt enclosed rheostats used in aircraft, primarily for light dimming purposes. The physical sizes correspond to Styles RP11 and RP16 of MIL-R-22 with a few differences. The entire specified range of winding tapers is provided under this specification.

To Order: When a QPL item is required always order by Military Designation, not by Ohmite Type number.



Slotted with locking bushing

Flatted with locking bushing

Enclosed with locking bushing

Fig. 86: Typical locking-type rheostats supplied under MIL-R-22.

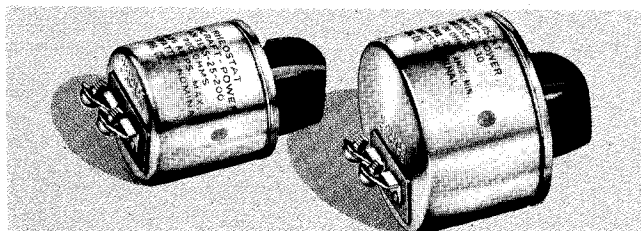


Fig. 87: Aircraft Power Rheostats for MIL-R-6749

MIL-R-22 RHEOSTATS, WIREWOUND

| Military Designation | Watt Size | Ohmite Type | Military Designation | Watt Size | Ohmite Type |
|----------------------|-----------|-------------------|----------------------|-----------|-------------------|
| RP05⊙ | 5 | Model C, enclosed | RP16 | 25 | Model J, enclosed |
| RP06 | 12.5 | Model E | RP20 | 75 | Model G |
| RP07 | 6.25 | Model E, enclosed | RP25 | 100 | Model K |
| RP10 | 25.0 | Model H | RP30 | 150 | Model L |
| RP11 | 12.5 | Model H, enclosed | RP351⊙ | 225 | Model P |
| RP15 | 50 | Model J | RP401⊙ | 300 | Model N |
| | | | RP451⊙ | 500 | Model R |
| | | | RP501⊙ | 750 | Model T |
| | | | RP551⊙ | 1000 | Model U |

MIL-R-6749 RHEOSTATS⊙: AN (Enclosed)
AN3155 25 and 50 Watt

MIL-R-15109 RHEOSTATS: HI-SHOCK
Models E⊙, H⊙, J, G, K

Notes: ⊙ 1,000 ohms, max.

⊙ Not applicable to CAMESA (Canadian equiv. to DESC-E)

⊙ Also enclosed

Application: Ohmite Vitreous Enamelled Rheostats provide smooth, close, gradual control of generator voltage. The permanence of their characteristics, smoothness of operation, exactness of control, and compactness have made them first choice among generator and switchboard designers. By providing practically continuous variation of resistance in even the smallest sizes, they have made possible great savings in control-panel space. This makes them particularly useful on portable equipment, such as welding generators and power supplies.

Range of Sizes: With a series of ten wattage sizes, there is an Ohmite rheostat, or tandem rheostat assembly, suitable for every size generator in the range from the smallest to units of several hundred kilowatts.

Individually Designed: Ohmite field rheostats will be individually designed by our Engineering Department to fit each generator field condition upon receipt of the following information: State whether self or separately excited, give field resistance (hot), maximum field current (state at what volts for self-excited machines), minimum field current, rheostat resistance (if known). For self-excited machines it is desirable to supply a field magnetization curve.

Standard Designs: The rheostats listed on the following pages are tapered or uniformly wound, as required, designed to provide control for separately or self-excited generators. A number of models with differently tapered windings are listed for each resistance value. Current values depend on both the maximum voltage and the field resistance. Maximum design volts used were 32, 40, 64, 80, 100, 125, 160, 200, 250, 320 and 400. Ratios of rheostat resistance to field resistance were set at equal, 1.6 times, 2.5 times or 4 times.

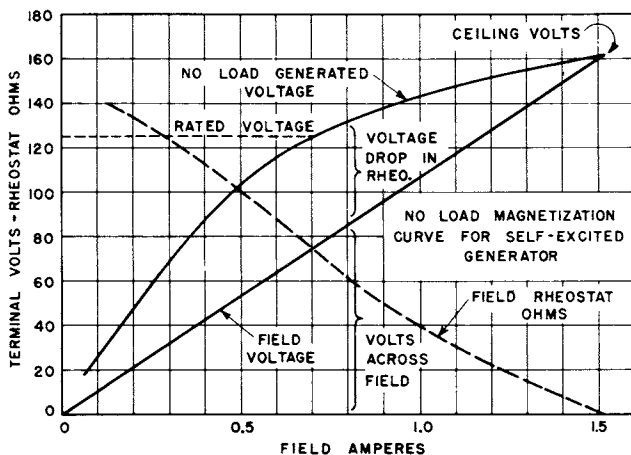


Fig. 88: Design curve for field rheostat

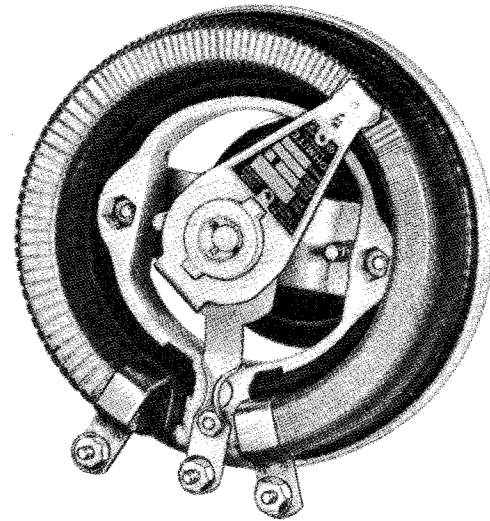


Fig. 89: Typical field control rheostat, wire side view.

Design of Field Rheostat For Self-Excited Generator

A magnetization curve (such as Fig. 88) for the particular machine should be obtained from the generator manufacturer. The no load curve is used for machines which may be operated without load or with a light load; a full load curve may be used for a generator which is permanently connected to a load.

The first step is to locate the "ceiling volts"—the highest voltage up to which the generated voltage will build when there is no resistance in series with the field. At this point $E_G = R_{field} \times I_{field}$. A straight line drawn through zero and "ceiling volts" represents the voltage necessary to produce the field current at any intervening point. The vertical distance between this line and the curve of generated voltage represents the voltage drop which must be taken up by the field rheostat.

The second step is to draw the curve of field rheostat ohms versus field current. This is obtained by Ohms' Law: $Rheostat\ Ohms = Volts\ Drop\ in\ Rheostat \div Field\ Amps$. The total resistance required will depend upon how low it is desired to bring the terminal voltage.

Knowing the maximum voltage, the resistance and maximum and minimum currents, a rheostat may be selected from the tables or Ohmite engineers will design a special unit for the job.