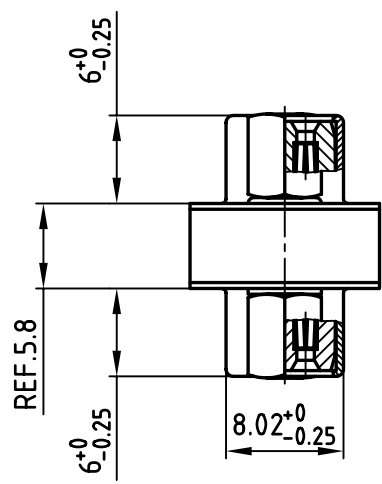
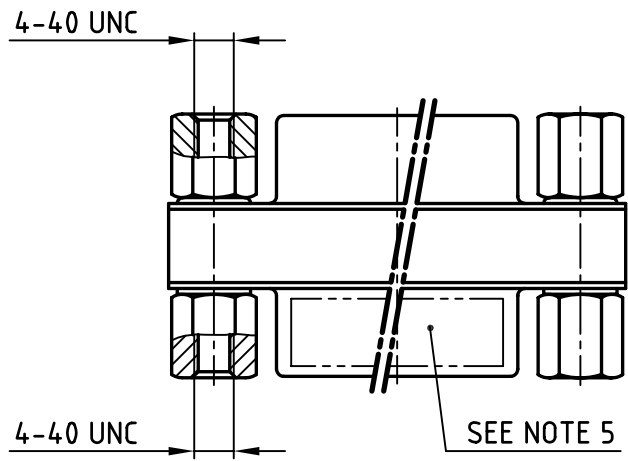
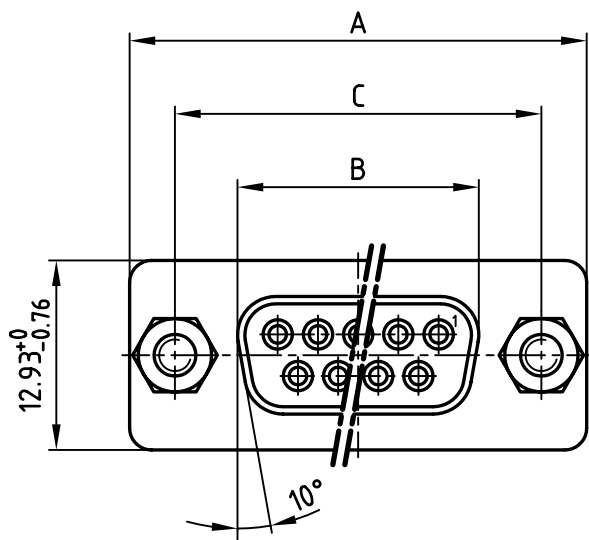


4 3 2 1
used for: D-SUB

POS.	A -0.76	B -0.25	C	Part-No.
9	31.19	16.46	25.00 ^{+0.12} / _{-0.13}	320X12519X
15	39.52	24.79	33.30 ^{+0.15} / _{-0.1}	320X12539X
25	53.42	38.50	47.04 ±0.13	320X10559X
37	69.70	54.96	63.50 ±0.13	320X12559X



Directive 2002/95/EC
"RoHS"
Compliant

NOTES:

- METALSHELLS: STEEL; min. 320µ" TIN
- INSULATORS: PBT GF UL 94 V-0, BLUE
- CONTACTS: COPPER ALLOY
PLATING: 8µ" HARD GOLD OVER min. 50µ" NICKEL
- MAXIMUM TORQUE VALUE FOR THREAD: 6" LBS
- CONNECTOR IS PART MARKED: PART-NO. CONEC ABC

APPROVAL # FREIGABE # DEBLOCAGE # AUTORIZACION # APPROVAL	
CUSTOMER APPROVAL DATE:	
NAME:	TITLE:
COMPANY NAME:	
APPROVAL # FREIGABE # DEBLOCAGE # AUTORIZACION # APPROVAL	

THIS DRAWING MAY NOT BE COPIED OR REPRODUCED IN ANY WAY, AND MAY NOT BE PASSED ON TO A THIRD PARTY WITHOUT WRITTEN PERMISSION.
 OWNERSHIP AND COPYRIGHT OF CONEC GmbH
 DO NOT ALTER CAD DRAWING BY HAND

tolerance		 dim. in mm
2006	date	
drawn	03.02.	name
appd.	03.02.	Mickenbecker
norm	DIN 41652	
d-old		
a	Origin	
rev.	description	date
		name



scale:	2:1
material:	SEE NOTES
title:	D-SUB GENDER CHANGER 2 x SOCKET CONNECTOR 9-37pos.
dwg no:	AutoCAD 2004
	16K1A1724
part no:	SEE TABLE

4 3 2 1