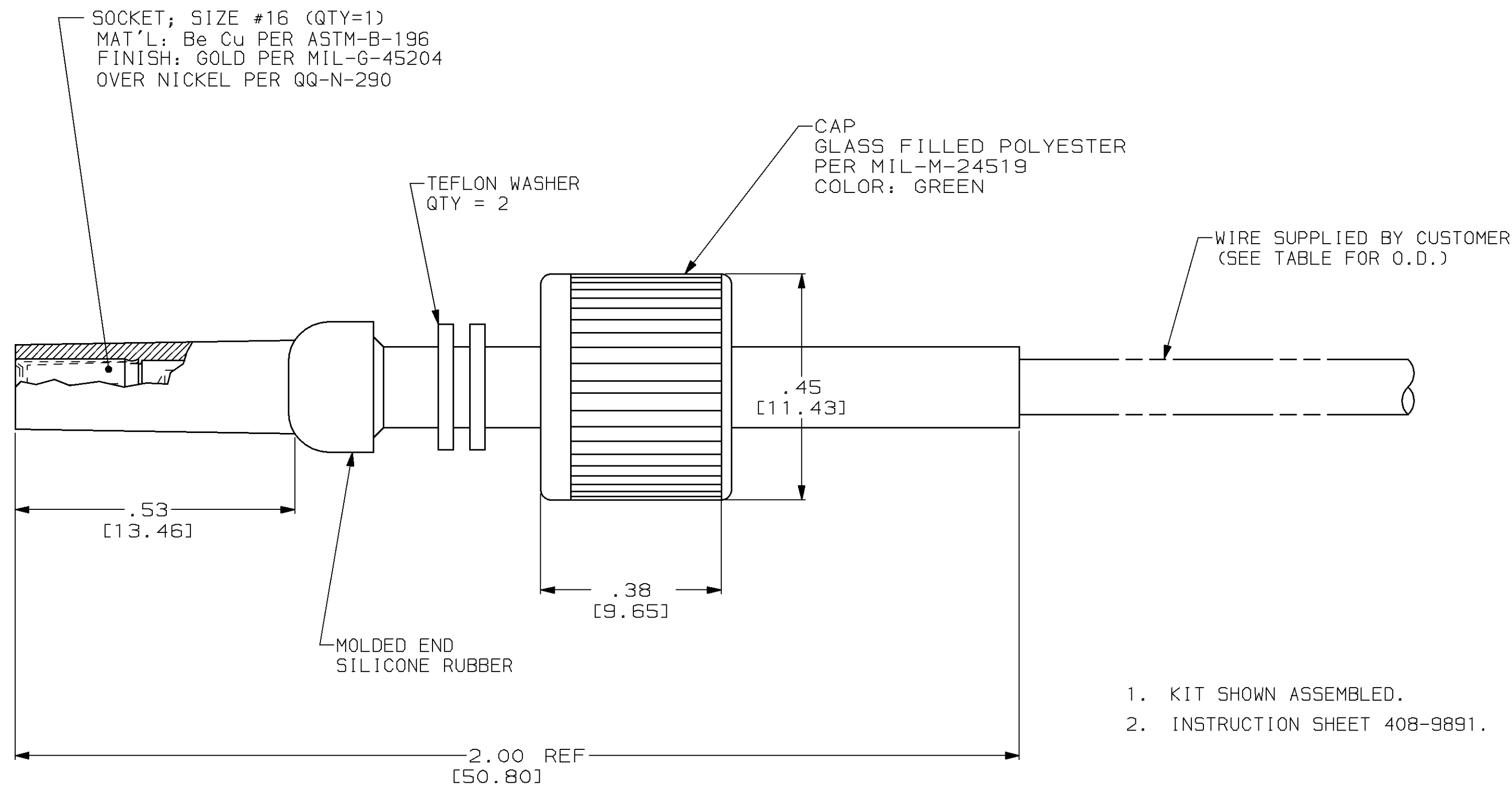



THIS DRAWING IS UNPUBLISHED. RELEASED FOR PUBLICATION
 © COPYRIGHT 19 BY AMP INCORPORATED. ALL INTERNATIONAL RIGHTS RESERVED.

PROD CODE	LOC	DIST	P	F	ZONE	LTR	DESCRIPTION	DATE	APPD
4092	DF	SO				E	REV 0600-0678-93 TT	09-93	SG
						F	REV PER 0600-4150-95 CT	8-95	DE
						G	REV PER 0600-6380-97 TT	09-97	SG

PART NO.	WIRE SIZE
861076-1	.107/.113 [2.72/2.87] O.D. TEFLON WIRE
861076-2	.081/.087 [2.06/2.21] O.D. TEFLON WIRE



1. KIT SHOWN ASSEMBLED.
2. INSTRUCTION SHEET 408-9891.

DO NOT SCALE PRINT. UNLESS SPECIFIED DIMENSIONS IN INCHES [mm] TOLERANCES ON : 2 PLC DEC ± .02 [0.5] 3 PLC DEC ± .005 [0.127] ANGLES ± -	DR 09-02-93 THOMPSON	 AMP INCORPORATED Harrisburg, Pa. 17105		
	CHK 10-20-93 S. GLATFELTER			
MATERIAL -	APPD 10-20-93 S. GLATFELTER	LGH 1/2 REPAIR KIT		
FINISH -	PRODUCT SPEC -			
	APPLICATION SPEC -	SIZE C	CAGE CODE 00779	DRAWING NO 861076
	WEIGHT -	SCALE 5:1	SHEET 1 OF 1	

861076