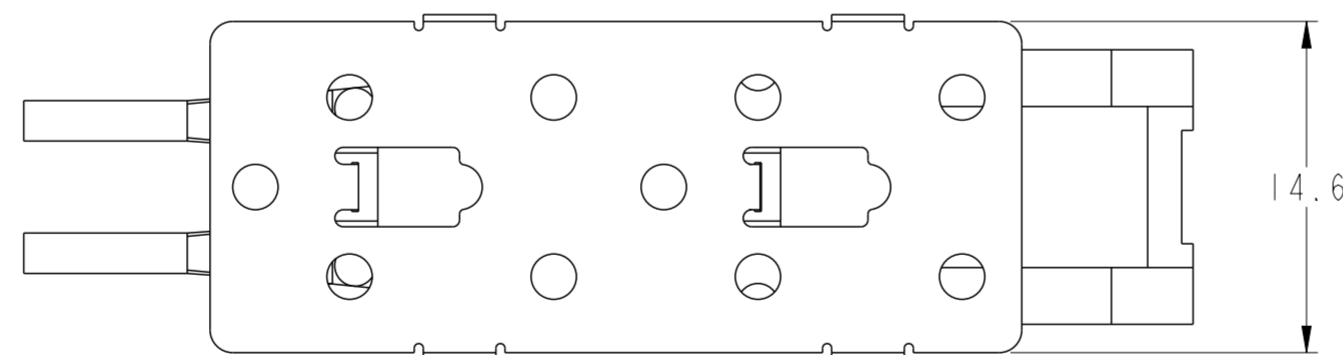
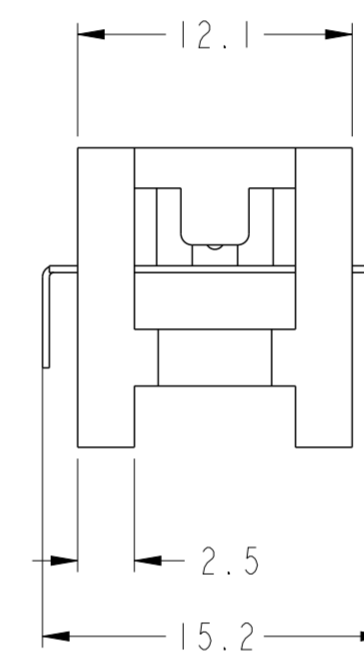
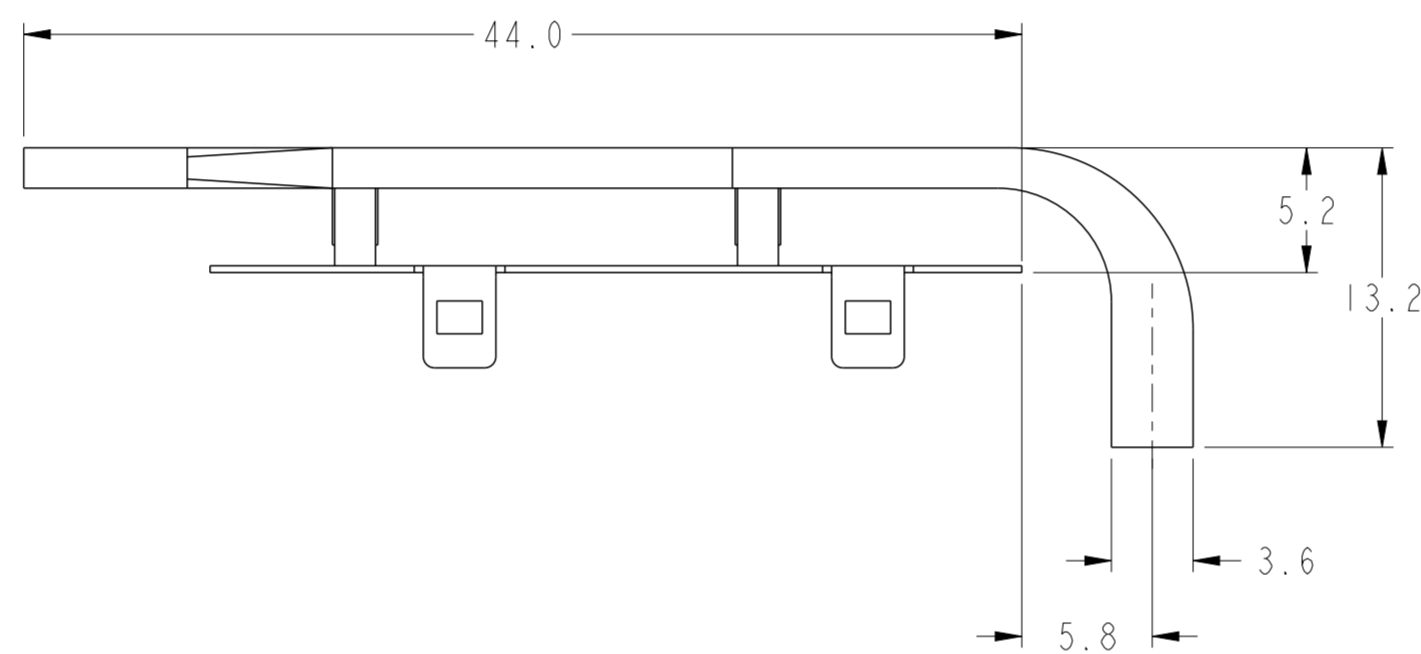
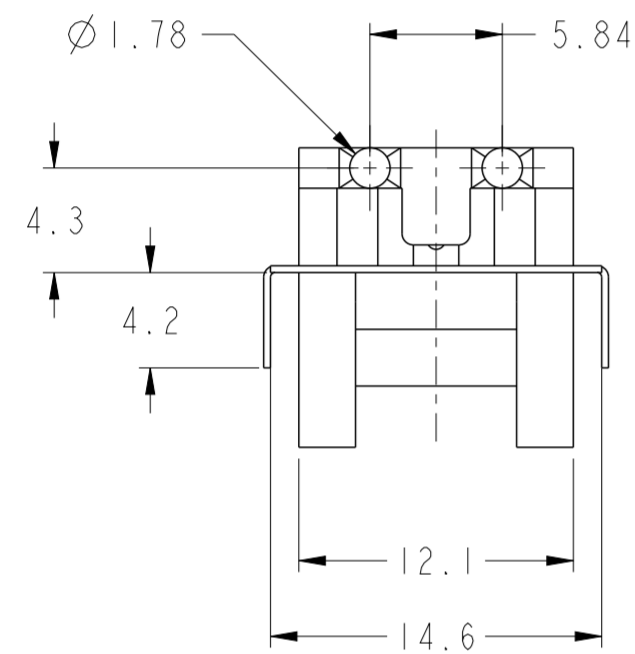
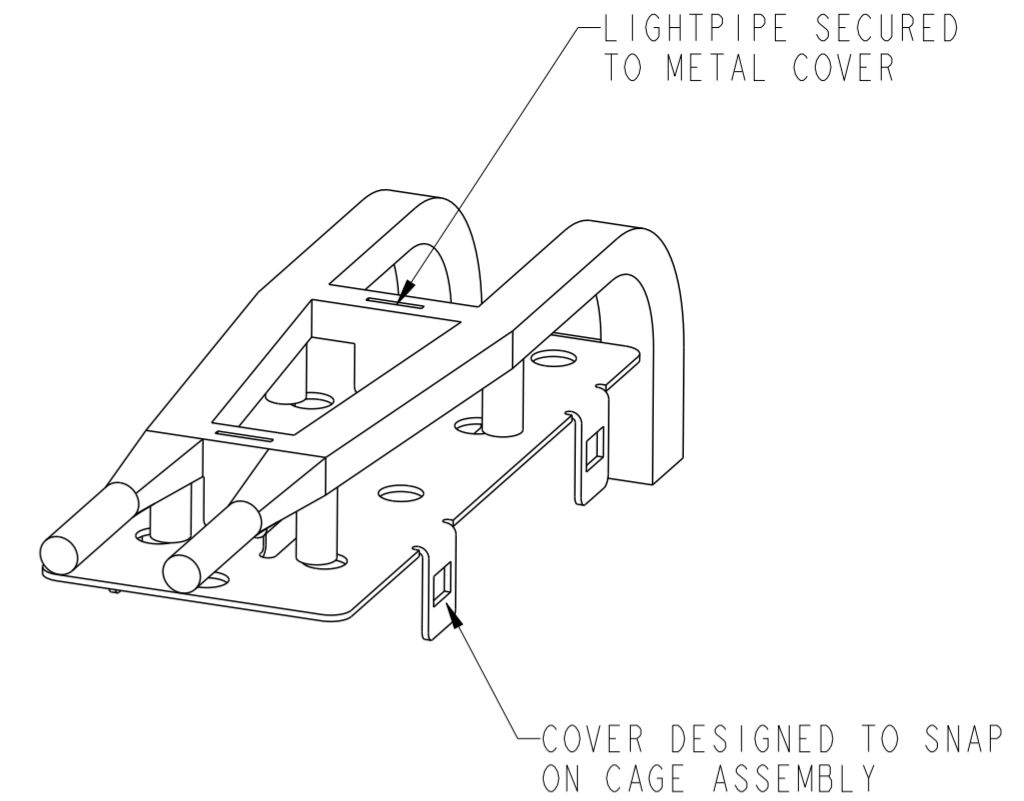
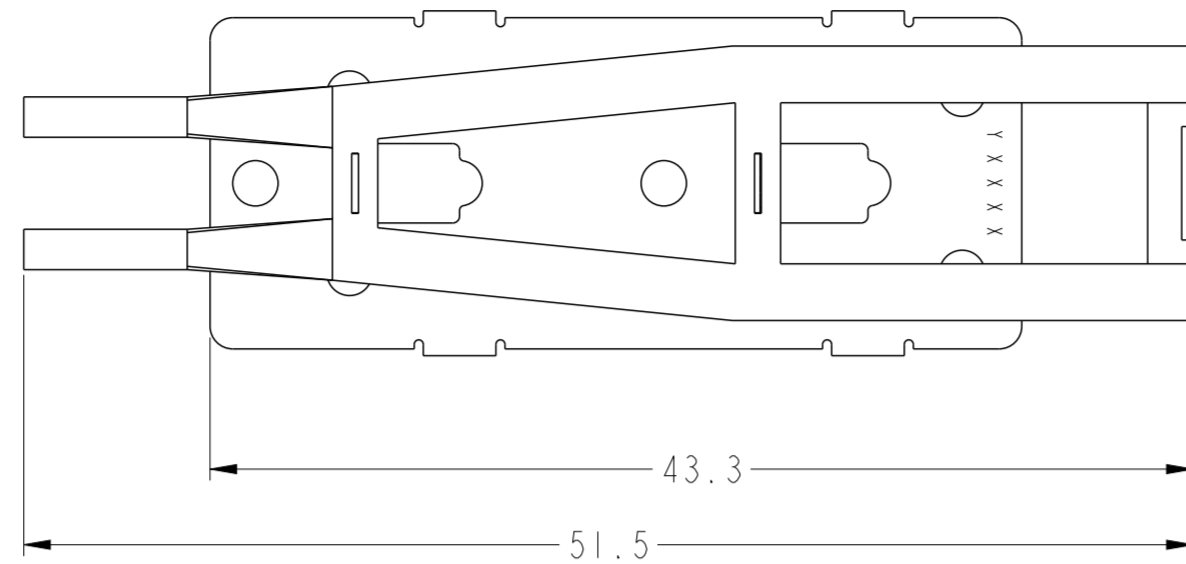
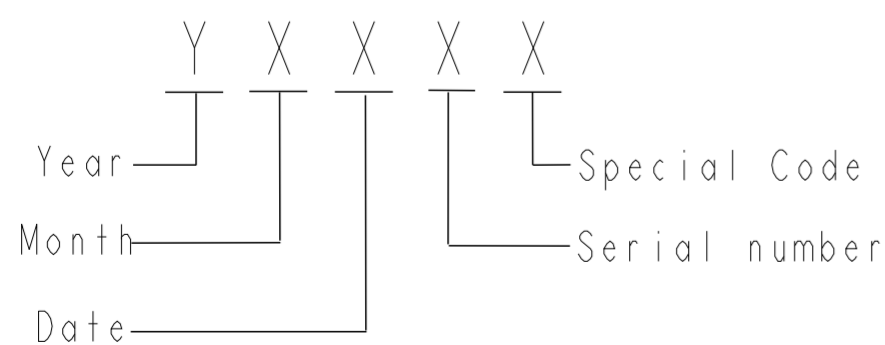


PRODUCT NUMBER	PACKAGING
10099106-011LF	TRAY



NOTES:

- MATERIAL:
COVER: STAINLESS STEEL
LIGHTPIPE: POLYCARBONATE, UL94-V0
- LIGHT PIPE KIT IS TO BE USED WITH SFP OR SFP+ 1X4 CAGE WITH LIGHT PIPE HOOKS.
- CAGE IS TO BE PRESSED TO THE PCB PRIOR TO ASSEMBLING THE LIGHT PIPE KIT ASSEMBLY.
- PRODUCT SPECIFICATION: GS-12-616
- APPLICATION SPECIFICATION: GS-20-125
- PRODUCT MEETS EUROPEAN UNION DIRECTIVES AND OTHER COUNTRY REGULATIONS AS DESCRIBED IN GS-22-008.



DATE CODE DESCRIPTION

spec ref	-	dr	Andy Zhang	2010/1/03	projection	MM	size	A2	scale	3:1
tolerance std	ASME Y14.5	eng	Andy Zhang	2012/01/03	chr	-	ecn no	ELX-N-009120-1		
	TOLERANCES UNLESS OTHERWISE SPECIFIED	appr	Rick Bian	2012/01/04	product family	-	rel level	Released		
surface	✓	linear	0.X	±0.25	0.XX	±0.15	0.XXX	±0.05	title	SFP+ 1X4 LIGHT PIPE
ASME Y14.5	angular	0°	±3°	www.fci.com	cat. no.	-	Product - Customer	Drw	sheet 1 of 1	rev
										B