

MODELS:

CSC16AC / CSC16ACW

16-Device AC Charging Station



Holds Up to
16 Ultrabooks



200 lb.
Load Rating



Sturdy Steel
Construction



Locking Doors



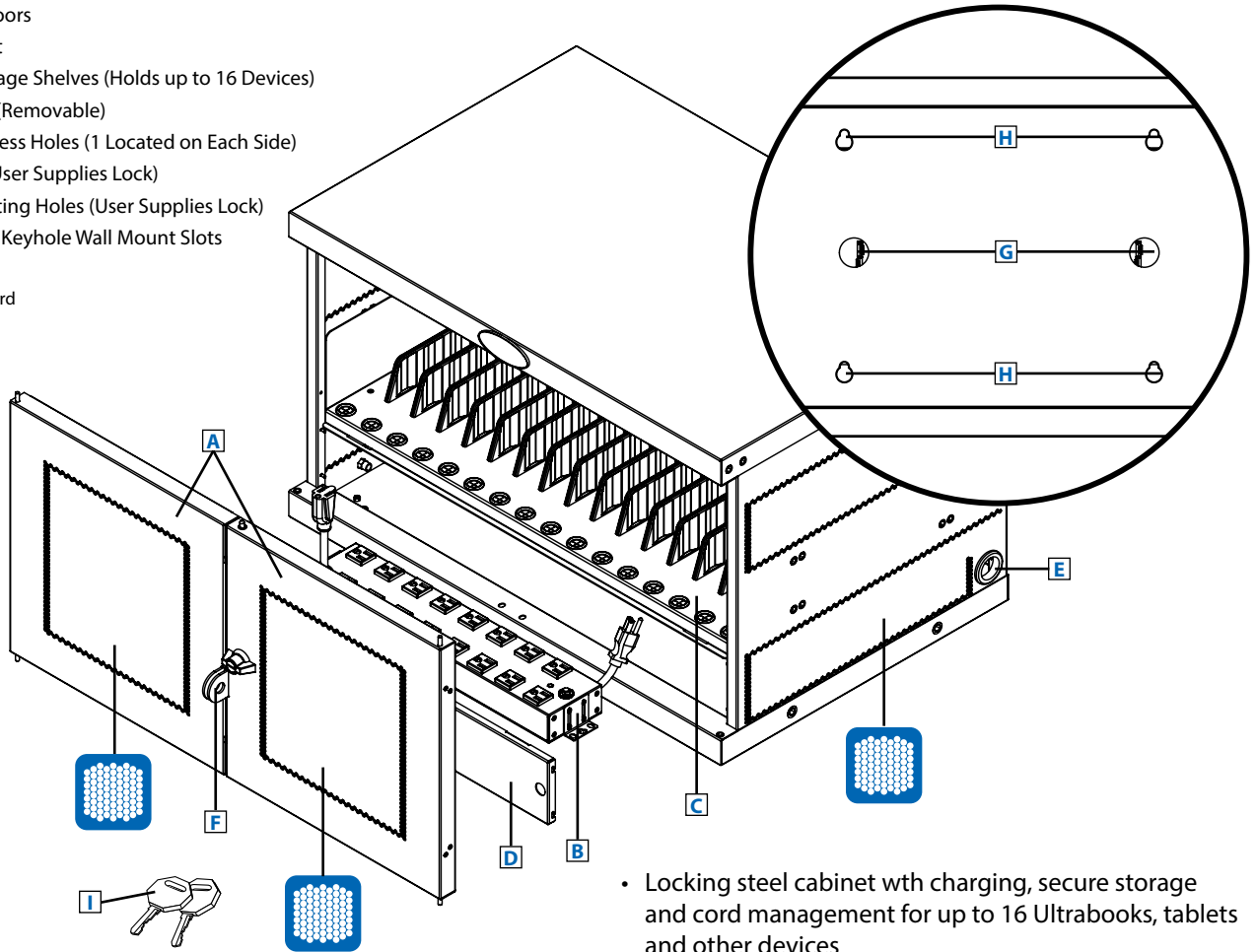
Adjustable Storage
Shelf Dividers



Ventilated for
Ample Airflow

- A** Locking Split Doors
- B** AC Charger Unit
- C** Adjustable Storage Shelves (Holds up to 16 Devices)
- D** Blanking Panel (Removable)
- E** Power Cord Access Holes (1 Located on Each Side)
- F** Padlock Hasp (User Supplies Lock)
- G** Cable Lock Routing Holes (User Supplies Lock)
- H** Rear Panel with Keyhole Wall Mount Slots
- I** Keys

Not Shown: Power Cord



- Locking steel cabinet with charging, secure storage and cord management for up to 16 Ultrabooks, tablets and other devices
- Supports iPad®, Android™, Surface™ and Kindle tablets
- Adjustable/removable storage shelf dividers accommodate thicker devices
- Door locks with included keys prevent device theft, damage or tampering

SEE NEXT PAGE FOR DETAILED UNIT MEASUREMENTS

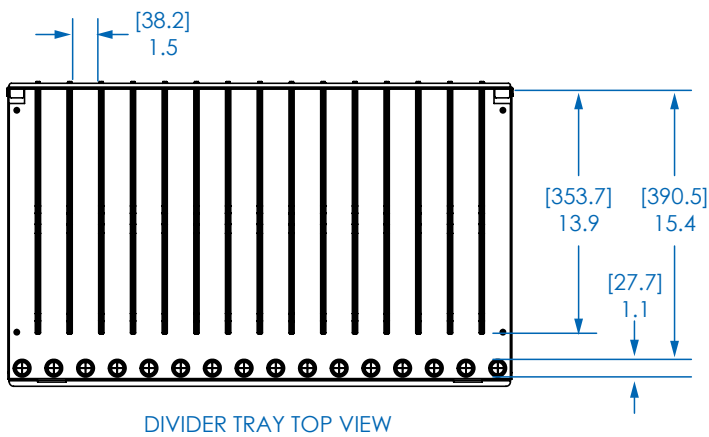
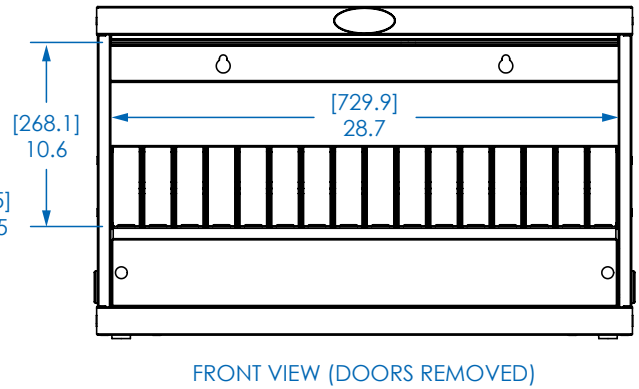
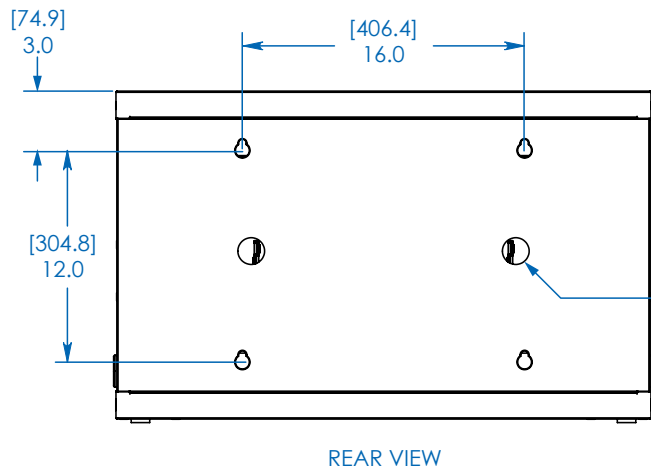
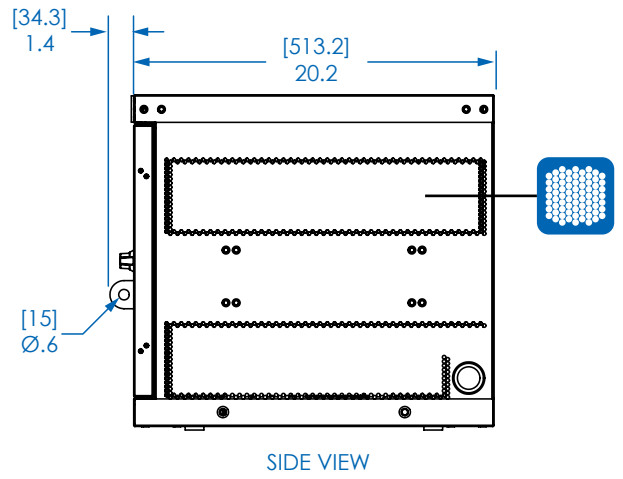
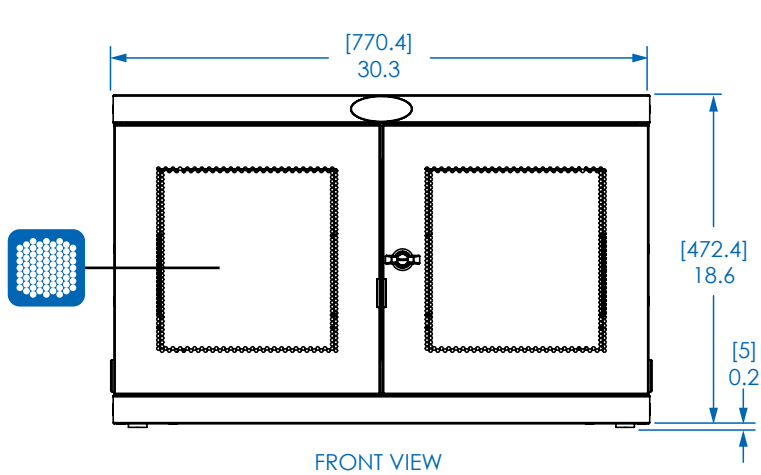
Specifications

| Model | CSC16AC / CSC16ACW |
|-----------------------------|---------------------------------------------------|
| Maximum Devices Per Shelf | 16 |
| AC Receptacles | 16 x 5-15R |
| Equipment Mounting Depth | 15.4 in. / 390.5 mm |
| Load Rating* | 200 lbs. / 90 kg |
| Unit Dimensions (H x W x D) | 18.8 x 30.3 x 21.6 in. / 475.4 x 770.4 x 547.5 mm |
| Unit Weight | 97 lb. / 43.6 kg |
| Power Requirement | 120V AC 50/60 Hz, 12A |
| Standards | Meets UL 60950, NOM (Mexico) and RoHS standards |

* The load rating includes the combined weight of the unit and installed equipment. The unit must be mounted to a stable surface with user-supplied anchors capable of bearing the full load.



1111 W. 35th Street
Chicago, IL 60609 USA
773.869.1234
www.tripplite.com



MODELS:
**CSC16AC /
 CSC16ACW**



1111 W. 35th Street
 Chicago, IL 60609 USA
 773.869.1234
 www.tripplite.com

Dimensions: [mm] INCHES

Tripp Lite has a policy of continuous improvement. Specifications are subject to change without notice.