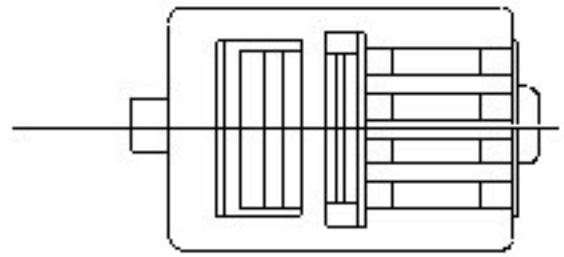
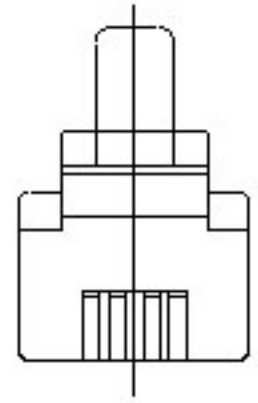
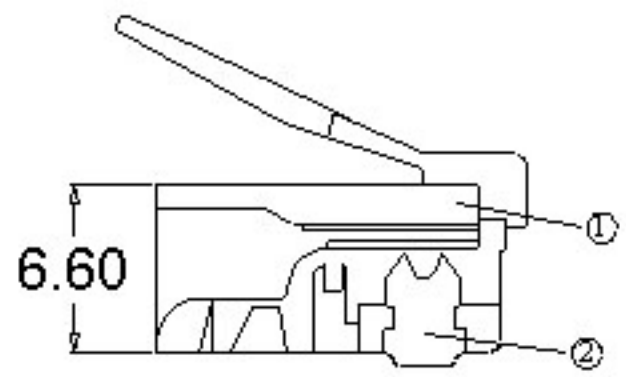
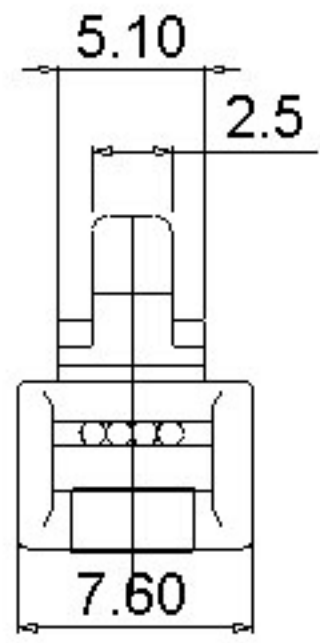


DATE BY	REVISION



2	CONTACT	PHOSPHOR BRONZE. Au 6u"
1	HOUSING	
No.	PART/NAME	MATERIAL
DRAWN	W.L.Q	CHECK
		APPRO

DATE	15 APR.2003	PARTS NO	
UNIT	MM	DRAWN NO	e-0005
SCALE		BUYER NO	

TITLE: **A-MO-4/4-SF**

ASSMANN Electronics