

NCS29001DGEVB

NCS29001 Evaluation Board User's Manual



ON Semiconductor®

<http://onsemi.com>

Eval Board User's Manual

Introduction

This document gives a detailed description of the NCS29001 Evaluation Board (SOIC-14 package) with the bill of materials, and board schematic. The appropriate lab test setups are also provided.

The NCS29001 Evaluation Board has been designed for a quick evaluation of the NCS29001 LCD backlight driver. Among its main characteristics, this evaluation board has been constructed to boost an input voltage of 24 V to drive an output LED string of 76 V at 200 mA.

This document must be used with the NCS29001 datasheet available on www.onsemi.com. The datasheet contains full technical details about the NCS29001 specifications and operation. The board is implemented in two metal layers with FR-4 dielectric. The top and bottom layers have thicknesses of 35 μm . The total PCB thickness is 1.62 mm with dimensions of 95.4 mm by 63.5 mm.

This evaluation board can be used to evaluate the device performance and it allows the user to place the NCS29001 device in a real application environment. While the intention is to evaluate the device according to datasheet specifications, it is important to take into account the additional circuitry inherent to the setup which can affect performance.



Figure 1. Evaluation Board (not to scale)

EQUIPMENT

The following table details the equipment used in the context of this application note manual.

Table 1. EQUIPMENT

Description	Main Features	Example of Equipment	Qty.
Regulated Power Supply	25 V / 5 A capability or greater	Chroma 62012P-600-8	1
Multimeter	-	Agilent 34401A	1
Oscilloscope	-	Tektronix MSO2024	1
Current probe	-	Tektronix TCP202	1
Waveform generator	-	Tektronix AFG3102	1

Get Started...

- Attach output LED string (76 V total VF)
- Set $V_{IN} = 12\text{ V}$ and $V_{inductor} = 24\text{ V}$
- Bring device out of standby by applying high to low transition on STBY pin
- Turn on device by applying PWM signal to PWMIn pin (between 100 Hz and 300 Hz with 10% to 100% duty cycle)
- Turning on the device from standby will trigger soft-start power up with smooth LED current ramp up
- LED brightness can be varied by adjusting duty cycle on the PWM signal
- Maximum LED current is set to 200 mA for this application

NCS29001DGEVB

SCHEMATIC

Figure 2 shows the NCS29001 in circuit as it is implemented on the evaluation board.

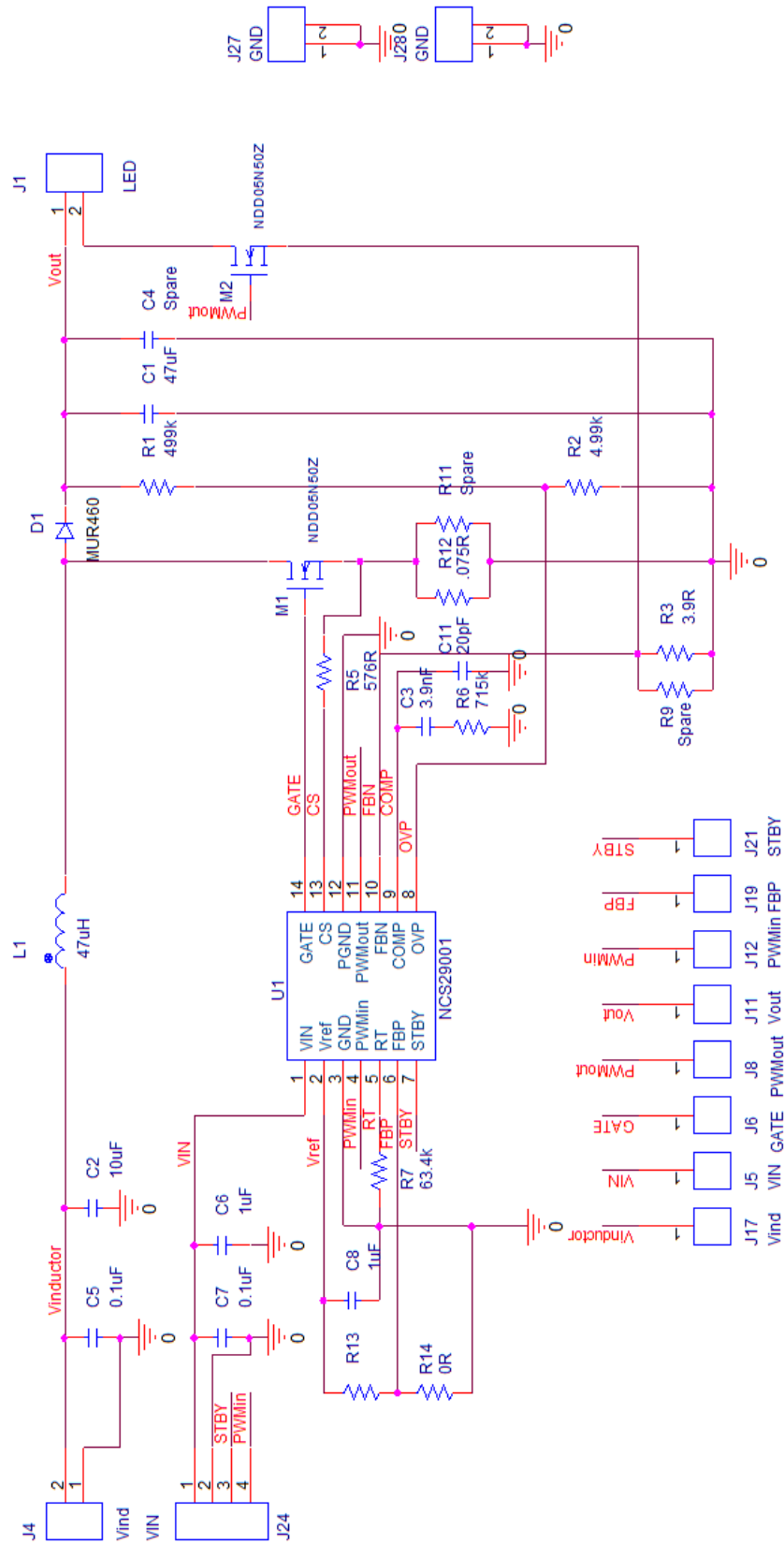



Figure 2. Evaluation Board Schematic

NCS29001DGEVB

BILL OF MATERIAL

Table 2. BILL OF MATERIAL

Designator	Qty	Description	Value	Tolerance	Footprint	Manufacturer	Manufacturer Part Number	Substitution Allowed	Lead Free
C1	1	Aluminum Electrolytic Capacitor	47 μ F	20%	16 mm diameter	Panasonic	EEV-EB2C470SM	Yes	Yes
C2	1	Ceramic Chip Capacitor	10 μ F	10%	1206	TDK	C3216X5R1H106K160AB	Yes	Yes
C5, C7	2	Ceramic Chip Capacitor	0.1 μ F	10%	1206	TDK	C3216X7R1H104K	Yes	Yes
C6, C8	2	Ceramic Chip Capacitor	1 μ F	20%	1206	TDK	C3216X7R1C105M	Yes	Yes
C4	1	Aluminum Electrolytic Capacitor	Open	-	5 mm lead spacing	-	-	-	-
C3	1	Ceramic Chip Capacitor	3.9 nF	5%	0805	TDK	C2012C0G1H392J060AA	Yes	Yes
C11	1	Ceramic Chip Capacitor	20 pF	5%	0805	AVX	08051A200JAT2A	Yes	Yes
L1	1	High Current Inductor	47 μ H	15%	14.1 mm x 13.1 mm	Cooper Bussman	HCR-470-R	Yes	Yes
R1	1	Through Hole Resistor	499 k	1%	1 mm lead spacing	Yageo	MFR-25FBF52-499k	Yes	Yes
R2	1	Chip Resistor	4.99 k	1%	0805	Panasonic	ERJ-6ENF4991V	Yes	Yes
R3	1	Chip Resistor	3.9 R	1%	1206	Panasonic	ERJ-8RQF3R9V	Yes	Yes
R5	1	Chip Resistor	576 R	1%	0805	Panasonic	ERJ-6ENF5760V	Yes	Yes
R6	1	Chip Resistor	715 k	1%	0805	Panasonic	ERJ-6ENF7153V	Yes	Yes
R7	1	Chip Resistor	63.4 k	1%	0805	Panasonic	ERJ-6ENF6342V	Yes	Yes
R9, R11	2	Chip Resistor	Open	-	1210	-	-	-	-
R12	1	Chip Resistor	0.075 R	1%	1206	Panasonic	ERJ-L08UF75MV	Yes	Yes
R13	1	Chip Resistor	Open	-	0805	-	-	-	-
R14	1	Chip Resistor	0	1%	0805	Panasonic	ERJ-6GEY0R00V	Yes	Yes
M1, M2	2	Power MOSFET N-Channel	-	-	DPAK	ON Semiconductor	NDD05N50Z	Yes	Yes
D1	1	Ultra-Fast Power Rectifier	-	-	Axial Lead-2	ON Semiconductor	MUR460G	Yes	Yes
J5, J6, J8, J11, J12, J17, J19, J21	8	PCB Test Terminal, Red	-	-	Hole diameter 1.7 mm	Keystone	5005	Yes	Yes
J1, J4	2	Header 2 pin, 0.1 inch spacing	-	-	0.100 x 2	TE Connectivity	647676-2	Yes	Yes
J24	1	Header 4 pin, 0.1 inch spacing	-	-	0.100 x 4	TE Connectivity	647676-4	Yes	Yes
J27, J28	2	PCB Shorting Link	-	-	GND_Strap	Harwin	D3082-46	Yes	Yes
U1	1	NCS29001	-	-	SOIC14	ON Semiconductor	NCS29001DR2G	No	Yes

ON Semiconductor and  are registered trademarks of Semiconductor Components Industries, LLC (SCILLC). SCILLC owns the rights to a number of patents, trademarks, copyrights, trade secrets, and other intellectual property. A listing of SCILLC's product/patent coverage may be accessed at www.onsemi.com/site/pdf/Patent-Marking.pdf. SCILLC reserves the right to make changes without further notice to any products herein. SCILLC makes no warranty, representation or guarantee regarding the suitability of its products for any particular purpose, nor does SCILLC assume any liability arising out of the application or use of any product or circuit, and specifically disclaims any and all liability, including without limitation special, consequential or incidental damages. "Typical" parameters which may be provided in SCILLC data sheets and/or specifications can and do vary in different applications and actual performance may vary over time. All operating parameters, including "Typicals" must be validated for each customer application by customer's technical experts. SCILLC does not convey any license under its patent rights nor the rights of others. SCILLC products are not designed, intended, or authorized for use as components in systems intended for surgical implant into the body, or other applications intended to support or sustain life, or for any other application in which the failure of the SCILLC product could create a situation where personal injury or death may occur. Should Buyer purchase or use SCILLC products for any such unintended or unauthorized application, Buyer shall indemnify and hold SCILLC and its officers, employees, subsidiaries, affiliates, and distributors harmless against all claims, costs, damages, and expenses, and reasonable attorney fees arising out of, directly or indirectly, any claim of personal injury or death associated with such unintended or unauthorized use, even if such claim alleges that SCILLC was negligent regarding the design or manufacture of the part. SCILLC is an Equal Opportunity/Affirmative Action Employer. This literature is subject to all applicable copyright laws and is not for resale in any manner.

PUBLICATION ORDERING INFORMATION

LITERATURE FULFILLMENT:

Literature Distribution Center for ON Semiconductor
P.O. Box 5163, Denver, Colorado 80217 USA
Phone: 303-675-2175 or 800-344-3860 Toll Free USA/Canada
Fax: 303-675-2176 or 800-344-3867 Toll Free USA/Canada
Email: orderlit@onsemi.com

N. American Technical Support: 800-282-9855 Toll Free
USA/Canada
Europe, Middle East and Africa Technical Support:
Phone: 421 33 790 2910
Japan Customer Focus Center
Phone: 81-3-5817-1050

ON Semiconductor Website: www.onsemi.com

Order Literature: <http://www.onsemi.com/orderlit>

For additional information, please contact your local
Sales Representative