



**PART NUMBER:** GC0402MA

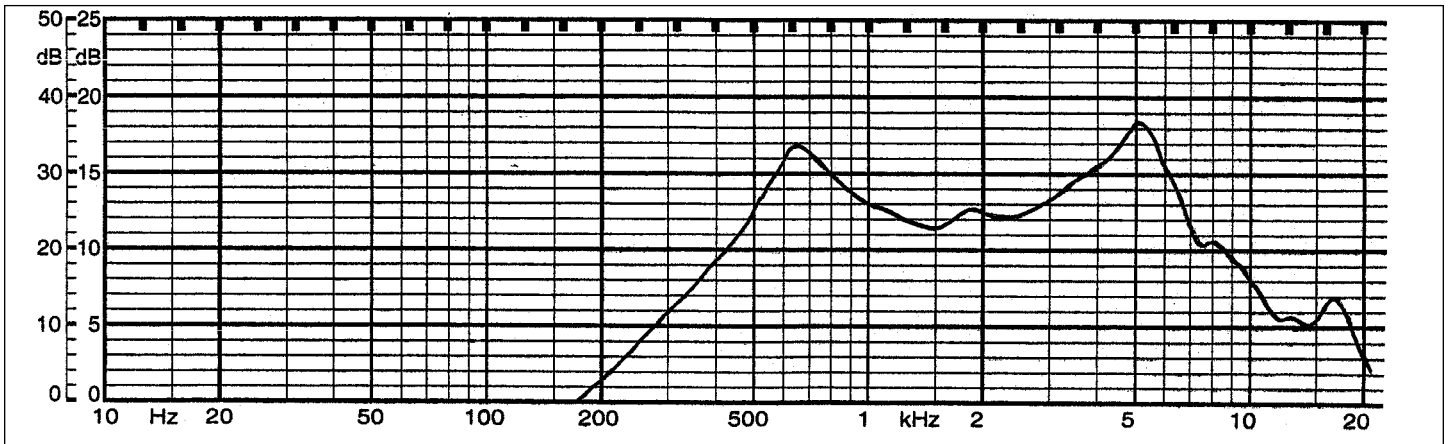
**DESCRIPTION:** speaker

**SPECIFICATIONS**

nominal size	40 mm		
impedance	8 Ohm $\pm$ 15%	at	1 KHz 1 V
resonant frequency	580 Hz $\pm$ 116 Hz	at	1 V
sound pressure level	96 dB/w $\pm$ 3 dB	1 w 50 cm ave. at 0.8K, 1K, 1.2K, 1.5K Hz	
response	Fo Hz ~ 20 KHz max 10 dB		
input power	nominal 0.5 W	handling capacity	1 W
operation	must be normal at program source 0.5 W		
buzz, rattle, etc.	must be normal at sine wave 2 V		
magnet	size: 12.5 x 1.5 mm		
load test	white noise	0.5 W for	24 hours
heat test	60 $\pm$ 2° C	20-50% R.H.	24 hours
humidity test	40 $\pm$ 2° C	90-95% R.H.	24 hours

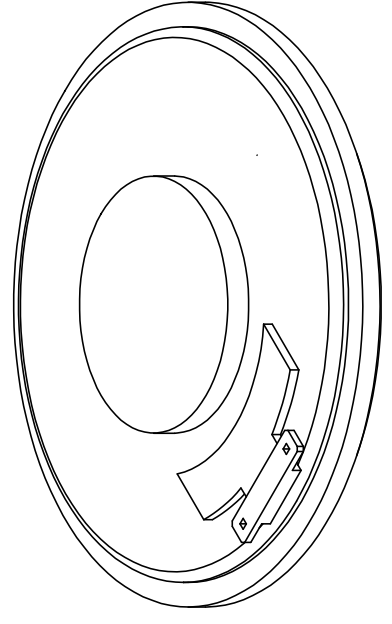
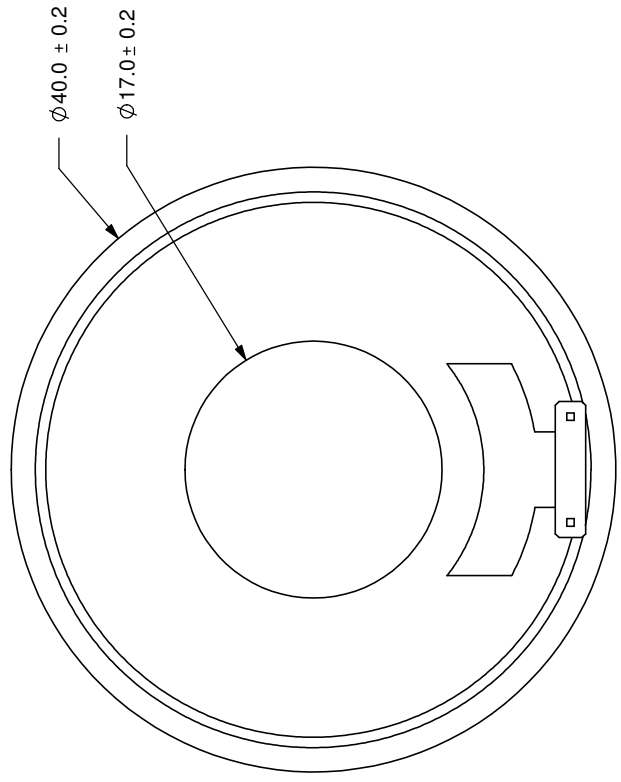
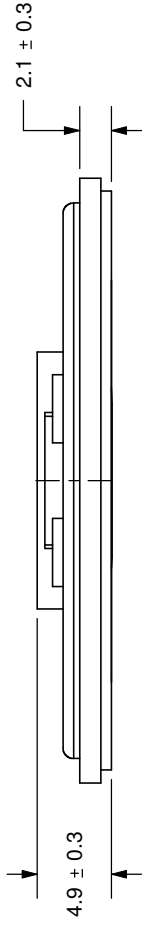
**FREQUENCY RESPONSE CURVE**

potentiometer range	50 dB
rectifier	RMS
lower limit frequency	20 Hz
wr. speed	100 mm/sec



zero level 70 dB

REV.	DESCRIPTION	DATE
A	NEW DRAWING	7/10/2008



20050 SW 112th Ave.  
Tualatin, OR 97062  
Phone: 503-612-2300  
800-275-4899  
Fax: 503-612-2383  
Website: [www.cui.com](http://www.cui.com)

TITLE:	LOW PROFILE NOTEBOOK SPEAKER	REV:	A
PART NO:	GC0402MA	UNITS:	MM [INCHES]
DRAWN BY:	JMS	APPROVED BY:	
		SCALE:	2:1

PC FILE NAME: GC0402MA

COPYRIGHT 2008 BY CUI INC.