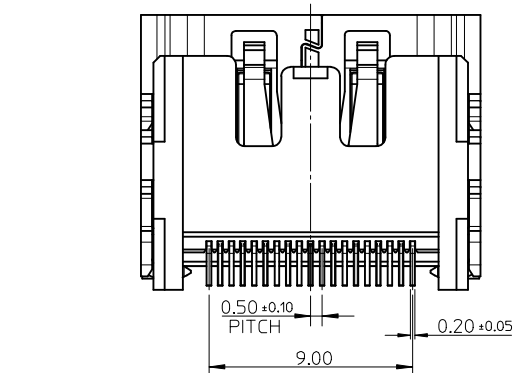
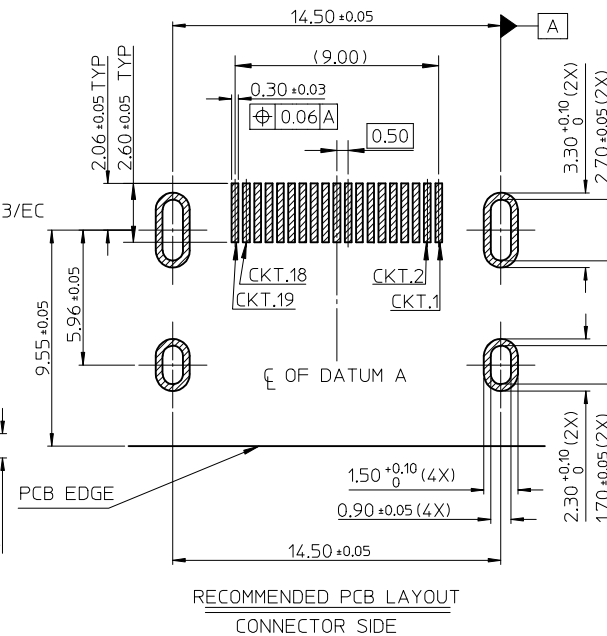
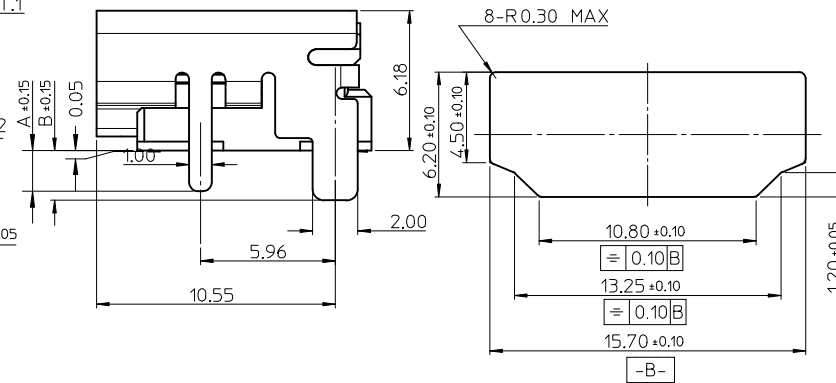
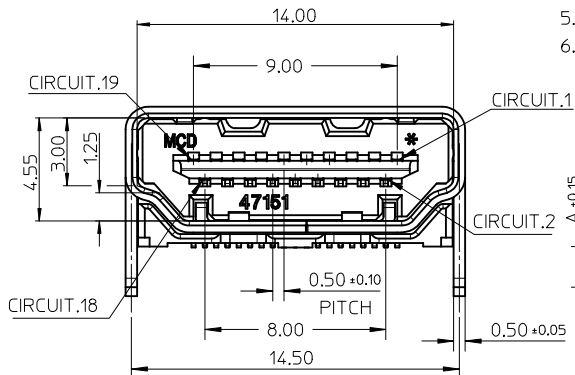
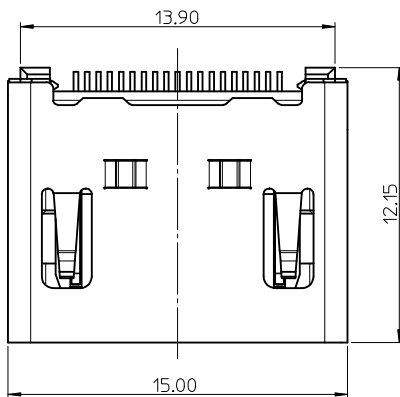
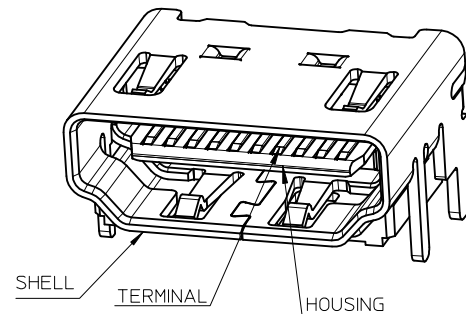


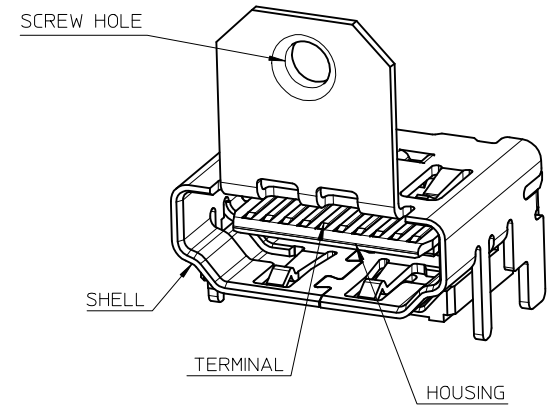
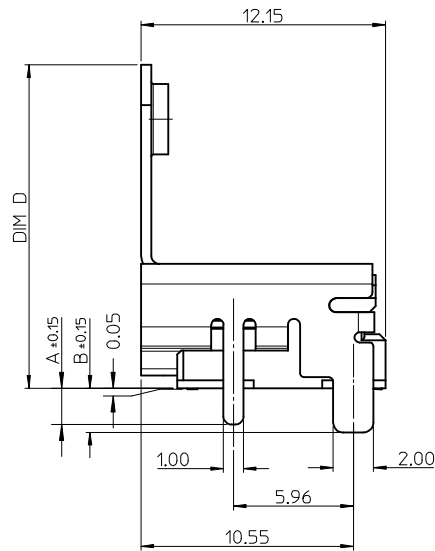
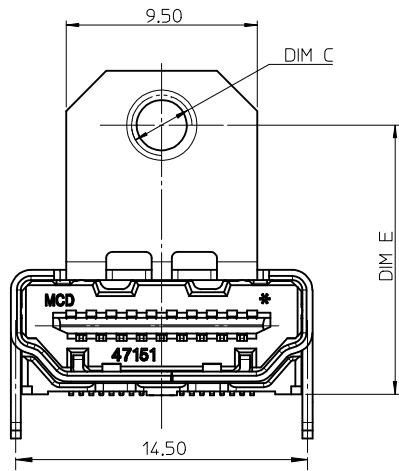
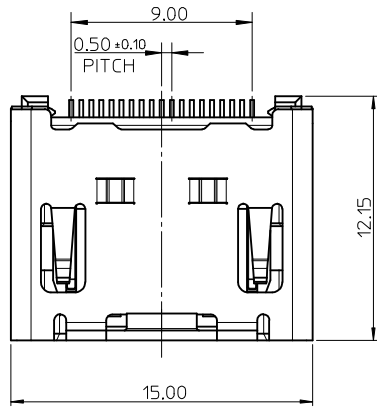
NOTES:

- MATERIAL:
HOUSING: THERMOPLASTIC . COLOR: SEE TABLE.
SHELL: COPPER ALLOY,
TERMINAL: COPPER ALLOY.
- PLATING:
TERMINAL:
CONTACT AREA: (1) 0.76 MICROMETER MIN. GOLD PLATING.
(2) 0.25 MICROMETER MIN. GOLD PLATING.
(3) GOLD FLASH.
(4) 0.375 MICROMETER MIN. GOLD PLATING.
(5) GOLD FLASH OVER PD/NI
SOLDER AREA: 1 MICROMETER MIN. TIN-BISMUTH ALLOY PLATED.
UNDER PLATE: 1.27 MICROMETER MIN. NICKEL.
SHELL: (a) 1.27 MICROMETER MIN. SOLDERABLE NICKEL PLATE OVERALL.
(b) GOLD FLASH PLATING OVER 1.27 MICROMETER MIN. NICKEL PLATING OVERALL.
- COPLANARITY IS 0.1MM MAX.
- PRODUCT SPECIFICATION REFER TO PS-47152-001 ; TBA FOR PD/NI OPTION
- PACKAGE SPECIFICATION FOR WITHOUT FLANGE REFER TO PK-47151-001.
- PRODUCT COMPLIANT TO RoHS DEIRECTIVE 2002/95/EC AND ELV DIRECTIVE 2000/53/EC



RECOMMENDED PANEL CUT OUT DIMENSION

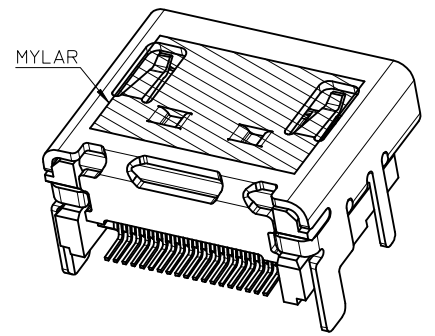
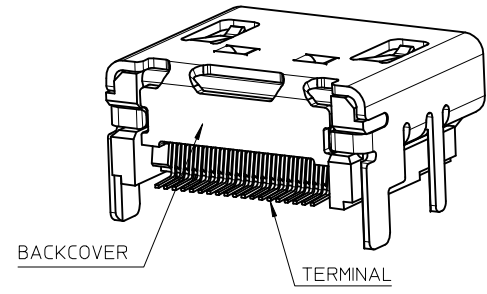
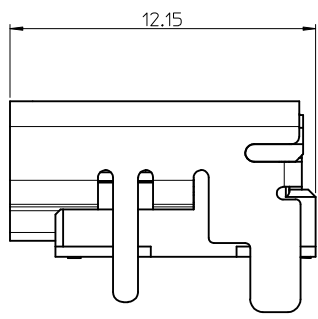
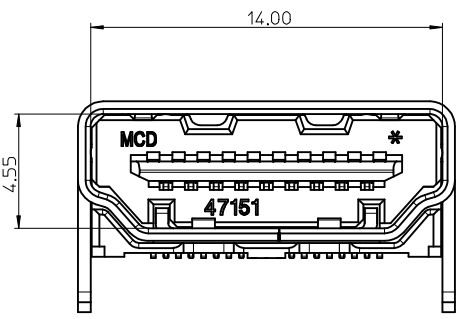
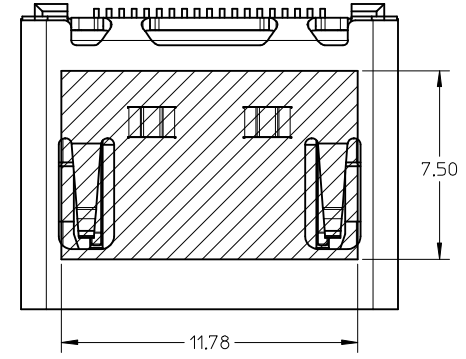
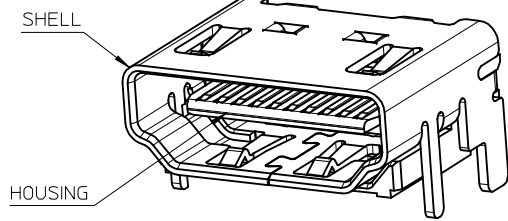
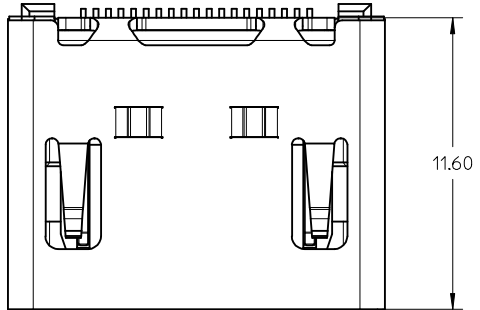
MARK UPDATED EC NO: S2016-0465 DRW:HTG002 CHKD:JZENG APPR:KHL IM 2015/11/10 2015/12/09 2015/12/15	QUALITY SYMBOLS F=0 F=0 F=0	GENERAL TOLERANCES (UNLESS SPECIFIED)		DIMENSION STYLE IN/MM		SCALE 5:1	DESIGN UNITS METRIC	THIRD ANGLE PROJECTION	
		4 PLACES ± --- ± ---	3 PLACES ± --- ± ---	2 PLACES ± 0.25 ± ---	1 PLACE ± 0.25 ± ---	0 PLACE ± --- ± ---	DRAWN BY RZHANG	DATE 2004/07/20	TITLE 1.0 HDMI RIGHT ANGLE HEADER ASSEMBLY (19 PIN) LEAD FREE
		ANGULAR ± 3 °					CHECKED BY GRMA	DATE 2004/07/20	molex
		DRAFT WHERE APPLICABLE MUST REMAIN WITHIN DIMENSIONS					APPROVED BY YTYAP	DATE 2004/07/20	
L5	REV	SEE SHEET 6			MATERIAL NO.	DOCUMENT NO.	SHEET NO.		
THIS DRAWING CONTAINS INFORMATION THAT IS PROPRIETARY TO MOLEX INCORPORATED AND SHOULD NOT BE USED WITHOUT WRITTEN PERMISSION									



NOTES:
1. THE UNSPECIFIED DIMENSIONS AND FEATURE REFER TO SHEET 1.
2. PACKAGE SPECIFICATION FOR WITH FLANGE REFER TO PK-47151-002.

SEE SHEET 1 EC NO: S2016-0465 DRWN:HTGU002 CHKD:JZENG APPR:KHL JM 2015/11/10 2015/12/09 2015/12/15	QUALITY SYMBOLS $\nabla_A = 0$ $\nabla_C = 0$ $\nabla_F = 0$	GENERAL TOLERANCES (UNLESS SPECIFIED)		DIMENSION STYLE IN/MM		SCALE 5:1	DESIGN UNITS METRIC	THIRD ANGLE PROJECTION		
			mm	INCH	DRAWN BY	DATE	TITLE			
		4 PLACES	± ---	± ---	RZHANG	2004/07/20	1.0 HDMI RIGHT ANGLE HEADER ASSEMBLY (19 PIN) LEAD FREE molex DOCUMENT NO. SD-47151-001 SHEET NO. 2 OF 9			
		3 PLACES	± ---	± ---	CHECKED BY	DATE				
		2 PLACES	± 0.25	± ---	GRMA	2004/07/20				
1 PLACE	± 0.25	± ---	APPROVED BY	DATE						
0 PLACE	± ---	± ---	YTYAP	2004/07/20						
ANGULAR ± 3 °		MATERIAL NO.		SEE SHEET 6						
DRAFT WHERE APPLICABLE MUST REMAIN WITHIN DIMENSIONS		SIZE A3		THIS DRAWING CONTAINS INFORMATION THAT IS PROPRIETARY TO MOLEX INCORPORATED AND SHOULD NOT BE USED WITHOUT WRITTEN PERMISSION						

WITH BACK COVER

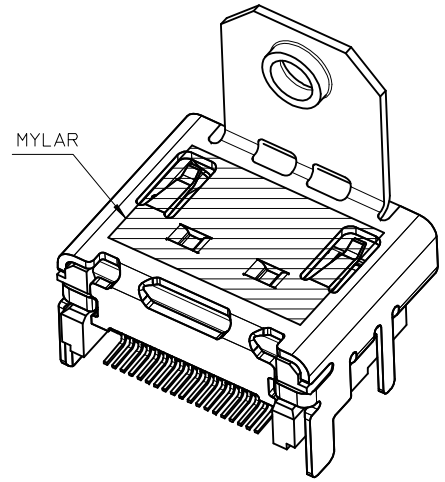
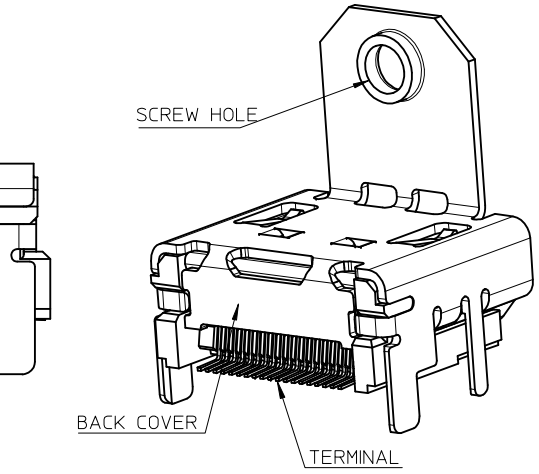
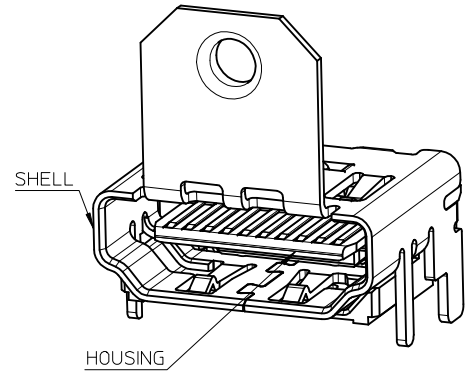
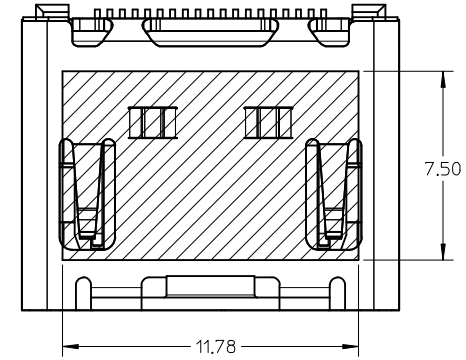
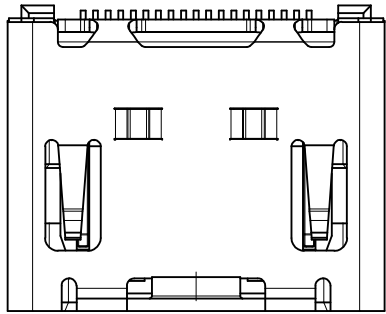


- NOTES:
1. THE UNSPECIFIED DIMENSIONS AND FEATURE REFER TO 47151-0001.
 2. PACKAGE SPECIFICATION FOR WITHOUT FLANGE REFER TO PK-47151-001.

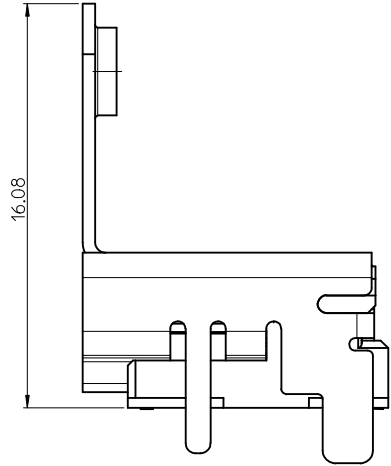
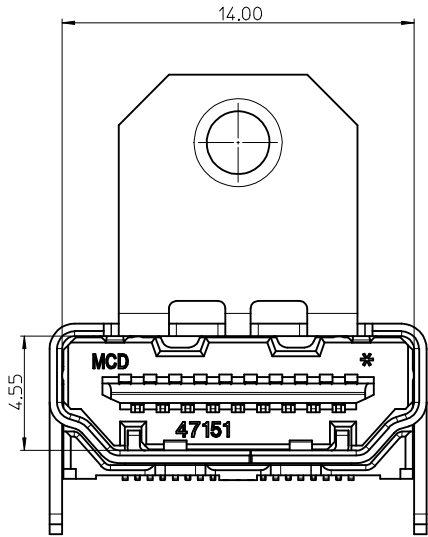
THIS IS ONLY FOR 47151-1061/1071/1081

SEE SHEET 1 EC NO: S2016-0465 DRW: HTGU002 CHKD: ZENG APPR: KHL JM	2015/11/10 2015/12/09 2015/12/15	DESCRIPTION REV	QUALITY SYMBOLS	GENERAL TOLERANCES (UNLESS SPECIFIED)	DIMENSION STYLE	SCALE	DESIGN UNITS	THIRD ANGLE PROJECTION				
			$F_A = 0$ $F_C = 0$ $F_B = 0$	mm INCH 4 PLACES ± --- ± --- 3 PLACES ± --- ± --- 2 PLACES ± 0.25 ± --- 1 PLACE ± 0.25 ± --- 0 PLACE ± --- ± ---	IN/MM	5:1	METRIC	DRAWN BY: RZHANG DATE: 2004/07/20 CHECKED BY: GRMA DATE: 2004/07/20 APPROVED BY: YTYAP DATE: 2004/07/20 MATERIAL NO. DOCUMENT NO.	TITLE 1.0 HDMI RIGHT ANGLE HEADER ASSEMBLY (19 PIN) LEAD FREE molex	SHEET NO. 3 OF 9		
			ANGULAR ± 3 ° DRAFT WHERE APPLICABLE MUST REMAIN WITHIN DIMENSIONS	SEE SHEET 7	THIS DRAWING CONTAINS INFORMATION THAT IS PROPRIETARY TO MOLEX INCORPORATED AND SHOULD NOT BE USED WITHOUT WRITTEN PERMISSION							
			L5									

WITH BACK COVER

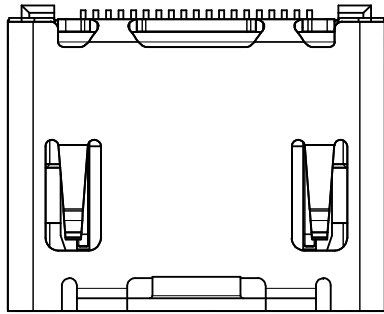


THIS IS ONLY FOR
47151-1025/1075/1085/6022/6032/1026/2062

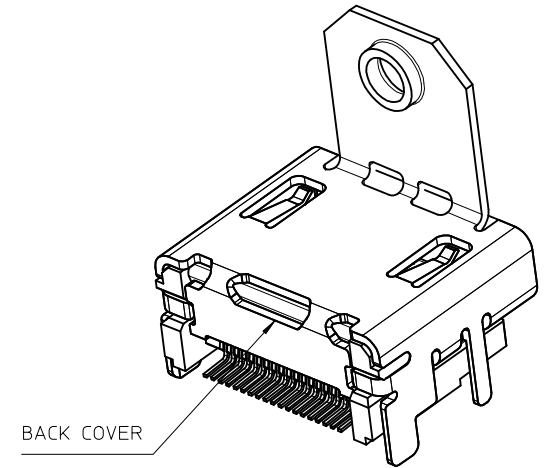
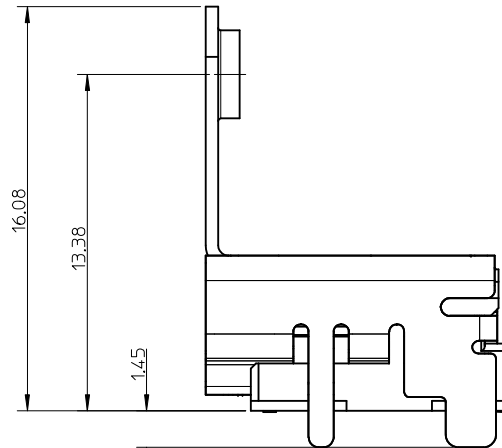
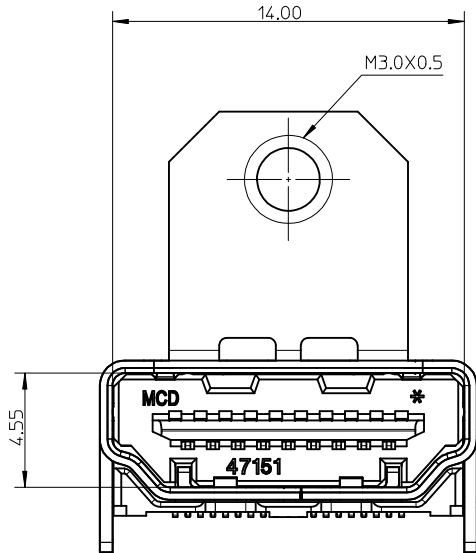
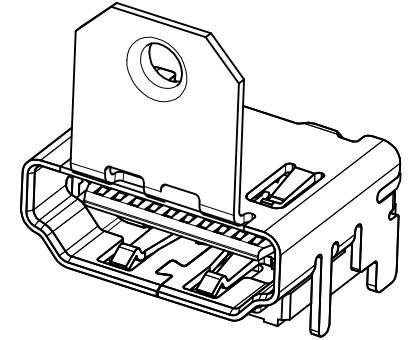


- NOTES:
1. THE UNSPECIFIED DIMENSIONS AND FEATURE REFER TO 47151-0002.
 2. PACKAGE SPECIFICATION FOR WITH FLANGE:
 OPTION 1: 47151-1026/2062/6032 REFER TO PK-47151-005.
 OPTION 2: 47151-1102 REFER TO PK-47151-003.
 OPTION 3: OTHER PART NUMBER REFER TO PK-47151-002.

SEE SHEET 1 EC NO: S2016-0465 DRW:NHTG0002 2015/11/10 CHKD:JZENG 2015/12/09 APPR:KHLIM 2015/12/15	QUALITY SYMBOLS $\nabla = 0$ $\nabla = 0$ $\nabla = 0$	GENERAL TOLERANCES (UNLESS SPECIFIED) <table border="1"> <thead> <tr> <th></th> <th>mm</th> <th>INCH</th> </tr> </thead> <tbody> <tr> <td>4 PLACES</td> <td>± ---</td> <td>± ---</td> </tr> <tr> <td>3 PLACES</td> <td>± ---</td> <td>± ---</td> </tr> <tr> <td>2 PLACES</td> <td>± 0.25</td> <td>± ---</td> </tr> <tr> <td>1 PLACE</td> <td>± 0.25</td> <td>± ---</td> </tr> <tr> <td>0 PLACE</td> <td>± ---</td> <td>± ---</td> </tr> </tbody> </table>		mm	INCH	4 PLACES	± ---	± ---	3 PLACES	± ---	± ---	2 PLACES	± 0.25	± ---	1 PLACE	± 0.25	± ---	0 PLACE	± ---	± ---	DIMENSION STYLE IN/MM	SCALE 5:1	DESIGN UNITS METRIC	THIRD ANGLE PROJECTION
		mm	INCH																					
	4 PLACES	± ---	± ---																					
	3 PLACES	± ---	± ---																					
2 PLACES	± 0.25	± ---																						
1 PLACE	± 0.25	± ---																						
0 PLACE	± ---	± ---																						
REV L5	DRAFT WHERE APPLICABLE MUST REMAIN WITHIN DIMENSIONS	DRAWN BY RZHANG	DATE 2004/07/20	TITLE 1.0 HDMI RIGHT ANGLE HEADER ASSEMBLY (19 PIN) LEAD FREE																				
		CHECKED BY GRMA	DATE 2004/07/20	molex																				
		APPROVED BY YTYAP	DATE 2004/07/20	MATERIAL NO. SEE SHEET 8	DOCUMENT NO. SD-47151-001	SHEET NO. 4 OF 9																		



WITHOUT TOP HOLE



NOTES:

1. THE UNSPECIFIED DIMENSIONS AND FEATURE REFER TO 47151-1102.
2. PACKAGE SPECIFICATION FOR WITH FLANGE REFER TO PK-47151-002.

SEE SHEET 1 EC NO: S2016-0465 DRW:HTG002 CHKD:JZENG APPR:KHLIM	2015/11/10 2015/12/09 2015/12/15	DESCRIPTION L5	QUALITY SYMBOLS	GENERAL TOLERANCES (UNLESS SPECIFIED)		DIMENSION STYLE IN/MM		SCALE 5:1	DESIGN UNITS METRIC	THIRD ANGLE PROJECTION
			$\nabla_A = 0$ $\nabla_C = 0$ $\nabla_B = 0$	mm INCH 4 PLACES ± --- ± --- 3 PLACES ± --- ± --- 2 PLACES ± 0.25 ± --- 1 PLACE ± 0.25 ± --- 0 PLACE ± --- ± ---	DRAWN BY RZHANG CHECKED BY GRMA APPROVED BY YTYAP MATERIAL NO. SEE SHEET 7	DATE 2004/07/20 DATE 2004/07/20 DATE 2004/07/20	TITLE 1.0 HDMI RIGHT ANGLE HEADER ASSEMBLY (19 PIN) LEAD FREE molex			
			ANGULAR ± 3 ° DRAFT WHERE APPLICABLE MUST REMAIN WITHIN DIMENSIONS	SIZE A3	DOCUMENT NO. SD-47151-001	SHEET NO. 5 OF 9				
			THIS DRAWING CONTAINS INFORMATION THAT IS PROPRIETARY TO MOLEX INCORPORATED AND SHOULD NOT BE USED WITHOUT WRITTEN PERMISSION							

ASSEMBLY P/N	DIMENSION					FEATURE				HOUSING COLOUR	GOLD PLATING IN CONTACT AREA	SHELL PLATING	REMARK
	DIM A	DIM B	DIM C	DIM D	DIM E	FLANGE	BACK COVER	TOP HOLES	MYLAR				
47151-0001											SEE NOTE 2 (1)	FOR SHEET 1	
47151-0041									BLACK	SEE NOTE 2 (2)			
47151-0051										SEE NOTE 2 (3)			
47151-0011										SEE NOTE 2 (1)			
47151-0071	1.80	2.20	/	/	/	W/O	W/O	WITH	W/O	NATURE	SEE NOTE 2 (2)		
47151-0061										SEE NOTE 2 (3)			
47151-0021									BLACK	SEE NOTE 2 (1)			
47151-0031									NATURE	SEE NOTE 2 (1)			
47151-0101										SEE NOTE 2 (1)			
47151-0141									BLACK	SEE NOTE 2 (2)			
47151-0151										SEE NOTE 2 (3)			
47151-0111										SEE NOTE 2 (1)			
47151-0181	1.45	1.45	/	/	/	W/O	W/O	WITH	W/O	NATURE	SEE NOTE 2 (2)		
47151-0161										SEE NOTE 2 (3)			
47151-0121									BLACK	SEE NOTE 2 (1)			
47151-0131									NATURE	SEE NOTE 2 (1)			
47151-0002										SEE NOTE 2 (1)	FOR SHEET 2		
47151-0042									BLACK	SEE NOTE 2 (2)			
47151-0062										SEE NOTE 2 (3)			
47151-0012										SEE NOTE 2 (1)			
47151-0052	1.80	2.20	M3.0X0.5	16.08	13.38	WITH	W/O	WITH	W/O	NATURE		SEE NOTE 2 (2)	
47151-0072										SEE NOTE 2 (3)			
47151-0022									BLACK	SEE NOTE 2 (1)			
47151-0032									NATURE	SEE NOTE 2 (1)			
47151-0102										SEE NOTE 2 (1)			
47151-0142									BLACK	SEE NOTE 2 (2)			
47151-0162										SEE NOTE 2 (3)			
47151-0112										SEE NOTE 2 (1)			
47151-0152	1.45	1.45	M3.0X0.5	16.08	13.38	WITH	W/O	WITH	W/O	NATURE		SEE NOTE 2 (2)	
47151-0172										SEE NOTE 2 (3)			
47151-0122									BLACK	SEE NOTE 2 (1)			
47151-0132									NATURE	SEE NOTE 2 (1)			
47151-6002										SEE NOTE 2 (1)	SEE NOTE 2 (a)		
47151-6062	1.80	2.20	M3.0X0.5	14.25	11.28	WITH	W/O	WITH	W/O	BLACK			
47151-6082										SEE NOTE 2 (2)			
47151-6102										SEE NOTE 2 (3)			
47151-6172	1.45	1.45	M3.0X0.5	14.25	11.28	WITH	W/O	WITH	W/O	BLACK			
47151-6162										SEE NOTE 2 (1)			

SEE SHEET 1 EC NO: S2016-0465 DRW:HTGU002 CHKD:JZENG APPR:KLLIM 2015/11/10 2015/12/09 2015/12/15	QUALITY SYMBOLS $F_A=0$ $F_G=0$ $F_P=0$	GENERAL TOLERANCES (UNLESS SPECIFIED)		DIMENSION STYLE		SCALE	DESIGN UNITS	THIRD ANGLE PROJECTION	
				IN/MM		1:1	METRIC		
				mm	INCH	DRAWN BY	DATE	TITLE	
				4 PLACES ± --- ± ---	3 PLACES ± --- ± ---	RZHANG	2004/07/20	1.0 HDMI RIGHT ANGLE HEADER ASSEMBLY (19 PIN) LEAD FREE	
		2 PLACES ± 0.25 ± ---	1 PLACE ± 0.25 ± ---	CHECKED BY	DATE				
		0 PLACE ± --- ± ---		GRMA	2004/07/20				
				APPROVED BY	DATE				
				YTYAP	2004/07/20				
		ANGULAR ± 3 °		MATERIAL NO.		DOCUMENT NO.			
		DRAFT WHERE APPLICABLE MUST REMAIN WITHIN DIMENSIONS		SEE TABLE		SD-47151-001			
				SIZE	THIS DRAWING CONTAINS INFORMATION THAT IS PROPRIETARY TO MOLEX INCORPORATED AND SHOULD NOT BE USED WITHOUT WRITTEN PERMISSION				
				A3					

ASSEMBLY P/N	DIMENSION					FEATURE				HOUSING COLOUR	GOLD PLATING IN CONTACT AREA	SHELL PLATING	REMARK
	DIM A	DIM B	DIM C	DIM D	DIM E	FLANGE	BACK COVER	TOP HOLES	MYLAR				
47151-0401 47151-0411	1.80	2.20	/	/	/	W/O	W/O	WITH	W/O	BLACK NATURE	SEE NOTE 2 (5)	SEE NOTE 2 (a)	FOR SHEET 1
47151-0402	1.80	2.20	M3.0x0.5	16.08	13.38	WITH	W/O	WITH	W/O	BLACK	SEE NOTE 2 (5)	SEE NOTE 2 (a)	FOR SHEET 2

SEE SHEET 1 IEC NO: S2016-0465 DRW:HTGU002 CH:KD:JZENG APPR:KHL JM	QUALITY SYMBOLS $\nabla = 0$ $\nabla = 0$ $\nabla = 0$	GENERAL TOLERANCES (UNLESS SPECIFIED) 4 PLACES \pm --- \pm --- 3 PLACES \pm --- \pm --- 2 PLACES \pm 0.25 \pm --- 1 PLACE \pm 0.25 \pm --- 0 PLACE \pm --- \pm --- ANGULAR \pm 3 ° DRAFT WHERE APPLICABLE MUST REMAIN WITHIN DIMENSIONS	DIMENSION STYLE IN/MM DRAWN BY: RZHANG CHECKED BY: GRMA APPROVED BY: YTYAP MATERIAL NO.	DATE: 2004/07/20 DATE: 2004/07/20 DATE: 2004/07/20	SCALE: 1:1 DESIGN UNITS: METRIC THIRD ANGLE PROJECTION	TITLE: 1.0 HDMI RIGHT ANGLE HEADER ASSEMBLY (19 PIN) LEAD FREE molex DOCUMENT NO. SD-47151-001	SHEET NO. 7 OF 9	
	SEE TABLE	THIS DRAWING CONTAINS INFORMATION THAT IS PROPRIETARY TO MOLEX INCORPORATED AND SHOULD NOT BE USED WITHOUT WRITTEN PERMISSION						
	SIZE: A3							

ASSEMBLY P/N	DIMENSION					FEATURE				HOUSING COLOUR	GOLD PLATING IN CONTACT AREA	SHELL PLATING	REMARK
	DIM A	DIM B	DIM C	DIM D	DIM E	FLANGE	BACK COVER	TOP HOLES	MYLAR				
47151-1001	1.80	2.20	/	/	/	W/O	WITH	WITH	W/O	BLACK	SEE NOTE 2 (1) SEE NOTE 2 (2) SEE NOTE 2 (3) SEE NOTE 2 (4)	SEE NOTE 2 (a)	FOR SHEET 3
47151-1041													
47151-1051													
47151-1003													
47151-1061													
47151-1071													
47151-1081													
47151-1011													
47151-1211													
47151-1311													
47151-1021													
47151-1091													
47151-1031													
47151-1101													
47151-1141													
47151-1151													
47151-1111													
47151-1161	1.45	1.45	/	/	/	W/O	WITH	WITH	W/O	NATURE	SEE NOTE 2 (1) SEE NOTE 2 (2) SEE NOTE 2 (3)	SEE NOTE 2 (a)	FOR SHEET 3
47151-1171													
47151-1121													
47151-1131													
47151-7102	1.45	1.45	3.0x0.5	16.08	13.38	WITH	WITH	W/O	W/O	BLACK	SEE NOTE 2 (1) SEE NOTE 2 (2) SEE NOTE 2 (3)	SEE NOTE 2 (a)	FOR SHEET 5
47151-7142													
47151-7162	1.80	2.20	/	/	/	W/O	WITH	WITH	W/O	BLACK	SEE NOTE 2 (5)	SEE NOTE 2 (a)	FOR SHEET 3
47151-1401													
47151-1461													
47151-1501	1.45	1.45	/	/	/	W/O	WITH	WITH	W/O				

SEE SHEET 1 EC NO: S2016-0465 DRW:HTGU002 CHKD:ZENG APPR:KHLIM	2015/11/10 2015/12/09 2015/12/15	QUALITY SYMBOLS $F_A=0$ $F_C=0$ $F_P=0$	GENERAL TOLERANCES (UNLESS SPECIFIED)		DIMENSION STYLE IN/MM		SCALE 1:1	DESIGN UNITS METRIC	THIRD ANGLE PROJECTION		
				mm	INCH	DRAWN BY RZHANG	DATE 2004/07/20	TITLE 1.0 HDMI RIGHT ANGLE HEADER ASSEMBLY (19 PIN) LEAD FREE			
			4 PLACES	± ---	± ---	CHECKED BY GRMA	DATE 2004/07/20				
			3 PLACES	± ---	± ---	APPROVED BY YTYAP	DATE 2004/07/20	molex DOCUMENT NO. SD-47151-001 SHEET NO. 8 OF 9			
2 PLACES	± 0.25	± ---	MATERIAL NO. SEE TABLE								
1 PLACE	± 0.25	± ---	ANGULAR ± 3 °		THIS DRAWING CONTAINS INFORMATION THAT IS PROPRIETARY TO MOLEX INCORPORATED AND SHOULD NOT BE USED WITHOUT WRITTEN PERMISSION						
0 PLACE	± ---	± ---	DRAFT WHERE APPLICABLE MUST REMAIN WITHIN DIMENSIONS								

ASSEMBLY P/N	DIMENSION					FEATURE				HOUSING COLOUR	GOLD PLATING IN CONTACT AREA	SHELL PLATING	REMARK
	DIM A	DIM B	DIM C	DIM D	DIM E	FLANGE	BACK COVER	TOP HOLES	MYLAR				
47151-1002	1.80	2.20	M3.0x0.5	16.08	13.38	WITH	WITH	WITH	W/O	BLACK	SEE NOTE 2 (a)	FOR SHEET 4	
47151-1042													SEE NOTE 2 (1)
47151-1052													SEE NOTE 2 (2)
47151-1062									SEE NOTE 2 (3)				
47151-2062									SEE NOTE 2 (4)				
47151-1012									WITH	BLACK			SEE NOTE 2 (4)
47151-1072									SEE NOTE 2 (1)				
47151-1082									SEE NOTE 2 (2)				
47151-1022									SEE NOTE 2 (3)				
47151-1032	W/O	NATURE	SEE NOTE 2 (1)										
									BLACK	SEE NOTE 2 (1)	SEE NOTE 2 (b)		
									NATURE	SEE NOTE 2 (1)	SEE NOTE 2 (b)		
47151-1102	1.45	1.45	M3.0x0.5	16.08	13.38	WITH	WITH	WITH	W/O	BLACK	SEE NOTE 2 (a)	FOR SHEET 4	
47151-1142													SEE NOTE 2 (1)
47151-1152													SEE NOTE 2 (2)
47151-1112									SEE NOTE 2 (3)				
47151-1162									SEE NOTE 2 (1)				
47151-1172									SEE NOTE 2 (2)				
47151-1122									SEE NOTE 2 (3)				
47151-1132									BLACK	SEE NOTE 2 (1)			SEE NOTE 2 (b)
									NATURE	SEE NOTE 2 (1)			SEE NOTE 2 (b)
47151-1005	1.80	2.20	4-40	16.08	13.38	WITH	WITH	WITH	W/O	BLACK	SEE NOTE 2 (a)	FOR SHEET 4	
47151-1045													SEE NOTE 2 (1)
47151-1065													SEE NOTE 2 (2)
47151-1015									SEE NOTE 2 (3)				
47151-1035									SEE NOTE 2 (1)				
47151-1055									SEE NOTE 2 (2)				
47151-1025									SEE NOTE 2 (3)				
47151-1075									WITH	BLACK			SEE NOTE 2 (1)
47151-1085									SEE NOTE 2 (2)				
47151-1026	SEE NOTE 2 (3)												
47151-6012	1.80	2.20	M3.0x0.5	14.25	11.28	WITH	WITH	WITH	W/O	BLACK	SEE NOTE 2 (a)	FOR SHEET 4	
47151-6042													SEE NOTE 2 (1)
47151-6052													SEE NOTE 2 (2)
47151-6022									SEE NOTE 2 (3)				
47151-6032									WITH	BLACK			SEE NOTE 2 (1)
	SEE NOTE 2 (2)												
47151-6112	1.45	1.45	M3.0x0.5	14.25	11.28	WITH	WITH	WITH	W/O	BLACK	SEE NOTE 2 (1)	FOR SHEET 4	
47151-6142													SEE NOTE 2 (2)
47151-6152													SEE NOTE 2 (3)
47151-1402	1.80	2.20	M3.0x0.5	16.08	13.38	WITH	WITH	WITH	W/O	BLACK	SEE NOTE 2 (5)	SEE NOTE 2 (a)	
47151-1502	1.45	1.45	M3.0x0.5	16.08	13.38	WITH	WITH	WITH	W/O	BLACK	SEE NOTE 2 (5)	SEE NOTE 2 (a)	

SEE SHEET 1 EC NO: S2016-0465 DRW: HJG002 CHKD: JZENG APPR: KHL JM 2015/11/10 2015/12/09 2015/12/15	QUALITY SYMBOLS $\nabla_F = 0$ $\nabla_F = 0$ $\nabla_F = 0$	GENERAL TOLERANCES (UNLESS SPECIFIED)		DIMENSION STYLE IN/MM		SCALE 1:1	DESIGN UNITS METRIC	THIRD ANGLE PROJECTION	
		4 PLACES \pm --- \pm ---	mm INCH	DRAWN BY RZHANG	DATE 2004/07/20	TITLE 1.0 HDMI RIGHT ANGLE HEADER ASSEMBLY (19 PIN) LEAD FREE			
		3 PLACES \pm --- \pm ---		CHECKED BY GRMA	DATE 2004/07/20				
		2 PLACES \pm 0.25 \pm ---		APPROVED BY YTYAP	DATE 2004/07/20	MATERIAL NO. DOCUMENT NO. SHEET NO. SEE TABLE SD-47151-001 9 OF 9			
		1 PLACE \pm 0.25 \pm ---		ANGULAR \pm 3 °		THIS DRAWING CONTAINS INFORMATION THAT IS PROPRIETARY TO MOLEX INCORPORATED AND SHOULD NOT BE USED WITHOUT WRITTEN PERMISSION			
0 PLACE \pm --- \pm ---		DRAFT WHERE APPLICABLE MUST REMAIN WITHIN DIMENSIONS							