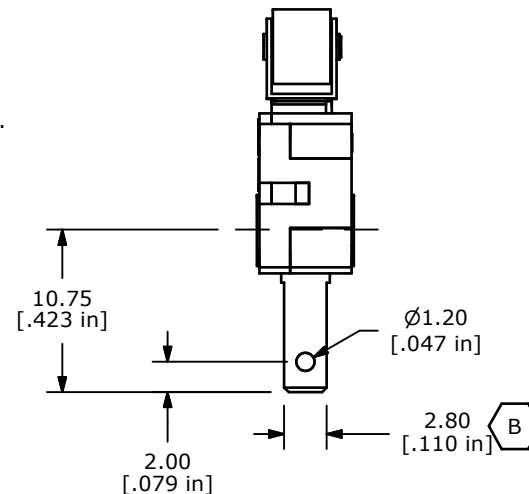
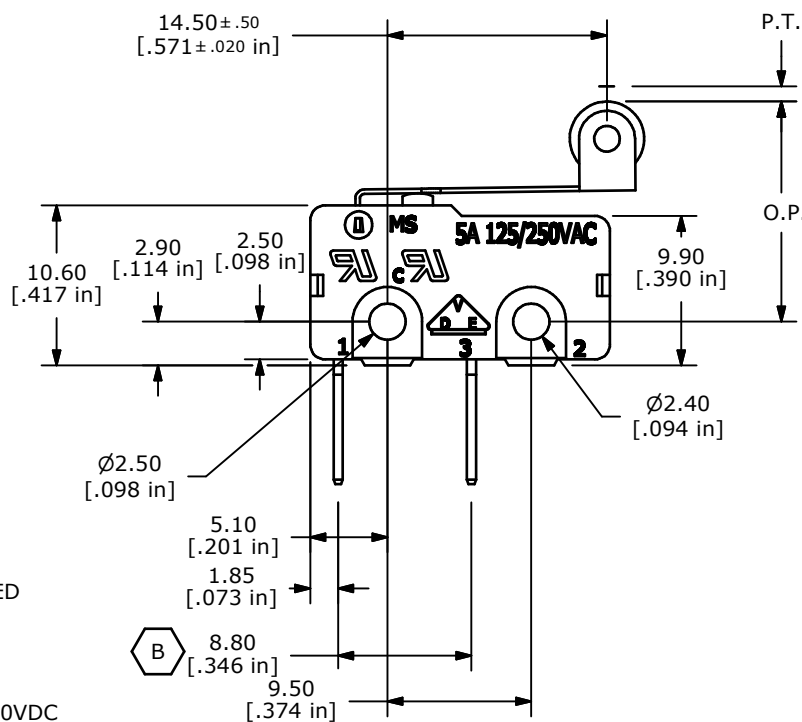
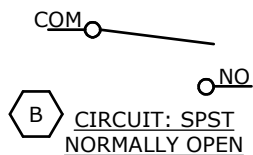


O.P. (MM)	P.T. (MM)
14.6 ± 1.0	4.0 MAX

O.P. = OPERATING POINT
P.T. = PRE-TRAVEL



NOTES:

1. ALL DIMENSIONS IN MM [INCH]
2. GENERAL TOLERANCE: X.X=± 0.4
X.XX=± 0.25
3. RATING: 5A @125/250VAC UL, CUL, VDE APPROVED
- ▲ 4. OPERATING FORCE: 20± 10 GRAMS
5. OPERATING TEMP: -25°C TO 85°C
6. ELECTRICAL LIFE: 50,000 CYCLES MIN.
7. MECHANICAL LIFE: 1,000,000 CYCLES TYP.
8. INSULATION RESISTANCE: 100 MEGA-OHMS @ 500VDC
9. DIELECTRIC STRENGTH: 1000VAC 1 MINUTE (INITIAL VALUE)
10. CONTACT RESISTANCE: 100 MILLI-OHMS MAX.
11. 2002/95/EC (ROHS) COMPLIANT
12. ▲ DENOTES CRITICAL PARAMETER.



B	21022	ADD NOTED DIMS, CORRECT CIRCUIT	2/12/13	EBP
A	20560	RELEASED FOR PRODUCTION	5/8/12	RC
REV	PCR NO	DESCRIPTION	DATE	BY

TITLE MS0850505F020C1C				
SCALE	DATE	DR	DWG	REV
2:1	5/8/2012	rc	Q970122	B

THE INFORMATION CONTAINED IN THIS DOCUMENT IS PROPRIETARY TO E-SWITCH AND IS NOT TO BE COPIED OR TRANSFERRED