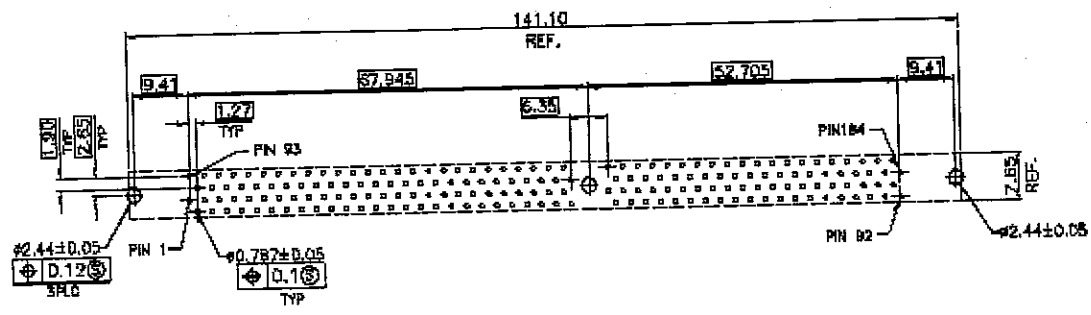
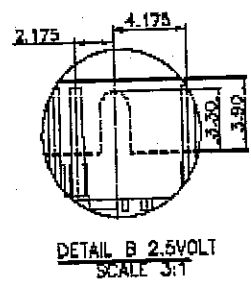
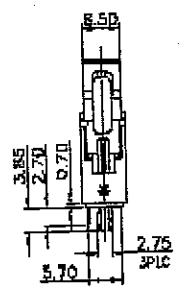
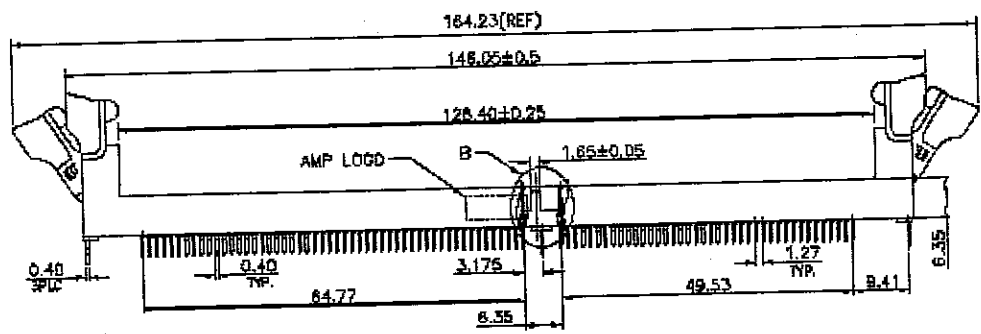
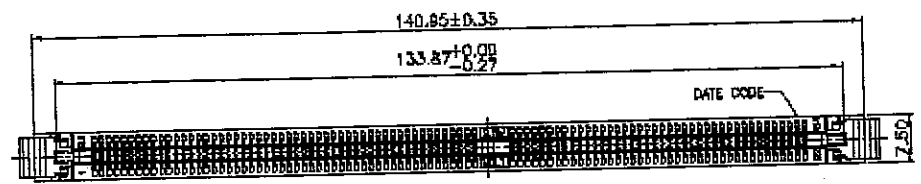


C-1734003

METRIC

THIS DIMENSION IS CONTINGENT UPON THE USE OF THE CORRELATION DIM. UNLESS OTHERWISE SPECIFIED, DIMENSIONS ARE IN MILLIMETERS. DIMENSIONS IN PARENTHESES ARE IN INCHES. DIMENSIONS IN BRACKETED ARE TYPICAL.



RECOMMENDED PCB LAYOUT

- NOTES:
 1. MATERIAL
 HOUSING: THERMOPLASTIC, UL94V-0, COLOR: SEE TABLE
 EXTRACTOR: THERMOPLASTIC, UL94V-0, COLOR: WHITE
 CONTACT: BRASS
 BOARD LOCK: BRASS
 2. FINISH:
 CONTACT: GOLD PLATING ON CONTACT AREA,
 100µ MIN MATTE TIN PLATING ON SOLDER TAILS,
 50µ MIN NICKEL UNDER PLATING OVER ALL.
 BOARD LOCK: 100µ MIN BRIGHT TIN PLATING ON SOLDER TAILS,
 50µ MIN NICKEL UNDER PLATING OVER ALL.
 3. SPECIFICATION:
 3.1 CURRENT RATING: 1A MAX.
 3.2 VOLTAGE: 100VAC PER CONTACT
 3.3 TEMPERATURE RANGE: -55°C to +85°C
 3.4 CONTACT RESISTANCE: 30 MILLIOHM MAX.
 3.5 DIELECTRIC WITHSTANDING VOLTAGE: 250VAC r.m.s.
 3.6 INSULATION RESISTANCE: 1000 MEGOHMS MIN.
 4. WAVE SOLDER CAPABLE TO 285°C
 PER TICC SPEC. 109-202. CONDITION B

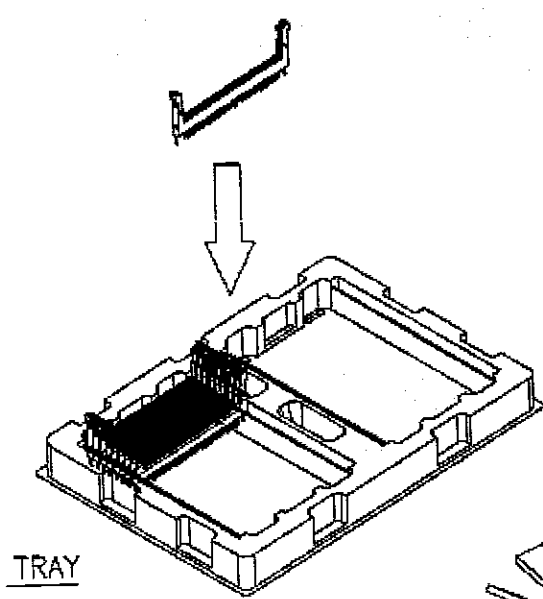
BLUE-GREEN 338U	15µ MIN. GOLD FLASH	3-1734003-2 3-1734003-1
PURPLE 272BU	15µ MIN. GOLD FLASH	2-1734003-2 2-1734003-1
BLUE 3D1C	15µ MIN. GOLD FLASH	1-1734003-2 1-1734003-1
BLACK	15µ MIN. GOLD FLASH	1734003-2 1734003-1
HSC COLOR	GOLD PLATING	PART NUMBER

TOLERANCES UNLESS OTHERWISE SPECIFIED: 0 PIC ± .01 1 PIC ± .02 2 PIC ± .03 3 PIC ± .04 ANGLES ± 3°	DWG 06-JUL-2008 W. J. KE 08-JUL-2008	ISSUED 06-JUL-2008 W. J. KE 08-JUL-2008	BY MK RSD JMS	DATE 08-JUL-2008	BY MK RSD JMS	DATE 08-JUL-2008	BY MK RSD JMS	DATE 08-JUL-2008
MATERIAL SEE NOTE	PRODUCT SPEC 109-57515	QUALIFICATION TEST REPORT G01-57522	WEIGHT 6.7 GRAM	LOG SCALE A ₃	DRAWING NO C-1734003	REV A	SHEET 1 OF 2	

A	ADDED P/N: 2-X; 3-X	ESR-08-010677	BY MK	DATE 08-JUL-2008
01	ADDED P/N: 1-X	ESR-08-010387	BY MK	DATE 08-JUL-2008
0	FIRST RELEASED	F200-0248-D4	BY MK	DATE 08-JUL-2008
LTR	REVISION RECORD	ESR	BY MK	DATE 08-JUL-2008

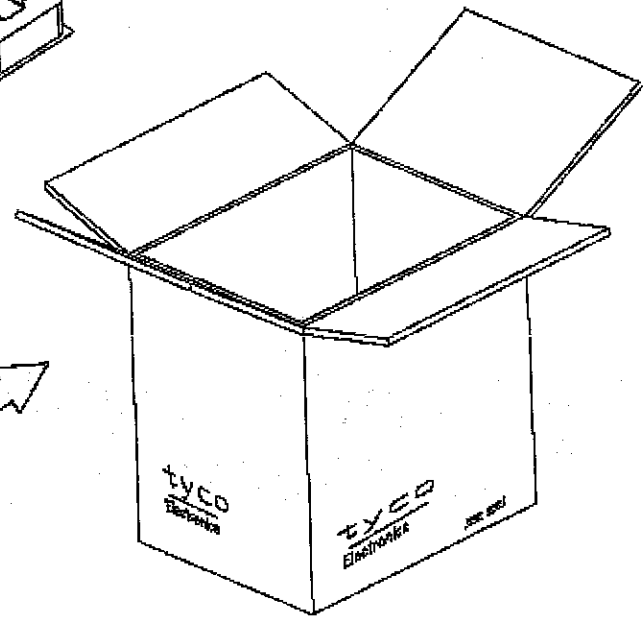
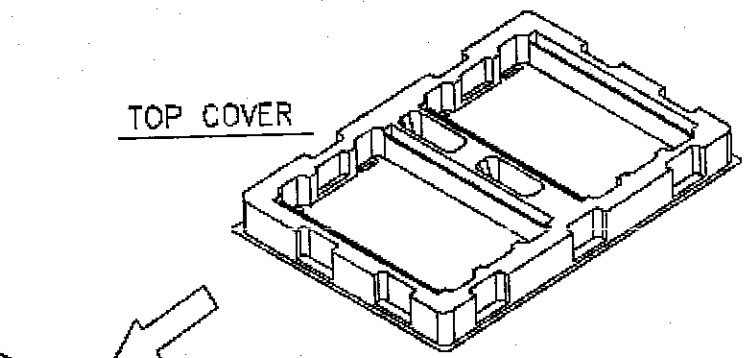
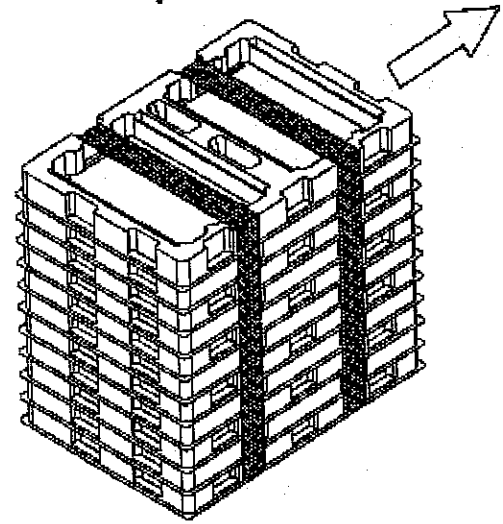
C-1734003
METRIC
3RD ANGLE PROJECTION

THIS DIMENSION IS CONSIDERED AND IS EXCLUDED TO YOU BY CONVICTION THAT YOU WILL NOT BE ABLE TO OBTAIN THE DIMENSIONS IN MILLIMETERS. DO NOT SCALE PRINT.



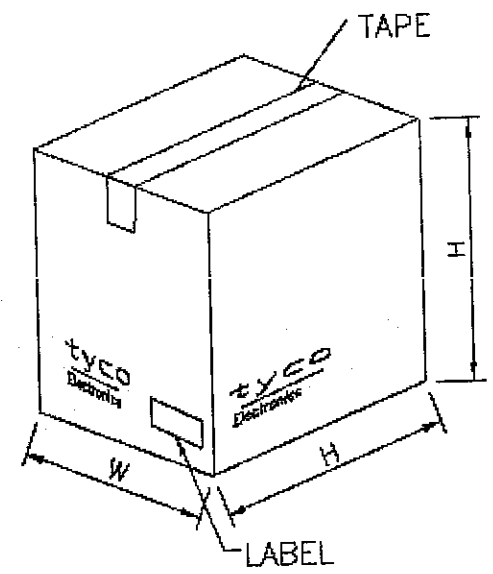
TOP COVER

TRAY



NOTE:

1. MATERIAL:
 - 1.1 TRAY: PVC
 - 1.2 SHIPPING CARTON: CORRUGATED FIBERBOARD
2. DIMENSION:
 - 2.1 TRAY: L=388, W=256, H=32
 - 2.2 SHIPPING CARTON: L=385, W=270, H=340
3. QUANTITY:
 - 3.1 PRIMARY PACKING: 50 PCS/TRAY
 - 3.2 SECONDARY PACKING: 10 TRAYS/CARTON(500PCS)
4. WEIGHT:
 - 4.1 NET WEIGHT: 4.85KG/CARTON
 - 4.2 GROSS WEIGHT: 7.0KG/CARTON



SEE SHEET 1	ECN	DATE
REV	DATE	BY
1		

TOLERANCES UNLESS OTHERWISE SPECIFIED:	DWG	S. HOU	TYCO	TYCO HOLDINGS (BERMUDA)
0 P/C ±	06-JUL-2008	06-JUL-2008	Electronics	VI LTD. TAIWAN BRANCH
1 P/C ±	W. A. KE	W. A. KE		
2 P/C ±	06-JUL-2008	06-JUL-2008		
3 P/C ±				
ANGLES 3				
MATERIAL	APVD	W. A. KE	PART	
		06-JUL-2008	SOCKET ASSEMBLY, DIMM 2P	
	PRODUCT SPEC		LOW INSERTION FORCE, 184	
			POSITION	
FINISH	APPLICATION SPEC		LOG	REV
			DW	A
	WEIGHT		SCALE	SHEET
				2 OF 2

CUSTOMER DRAWING

8

7

6

5

4

3

2

1