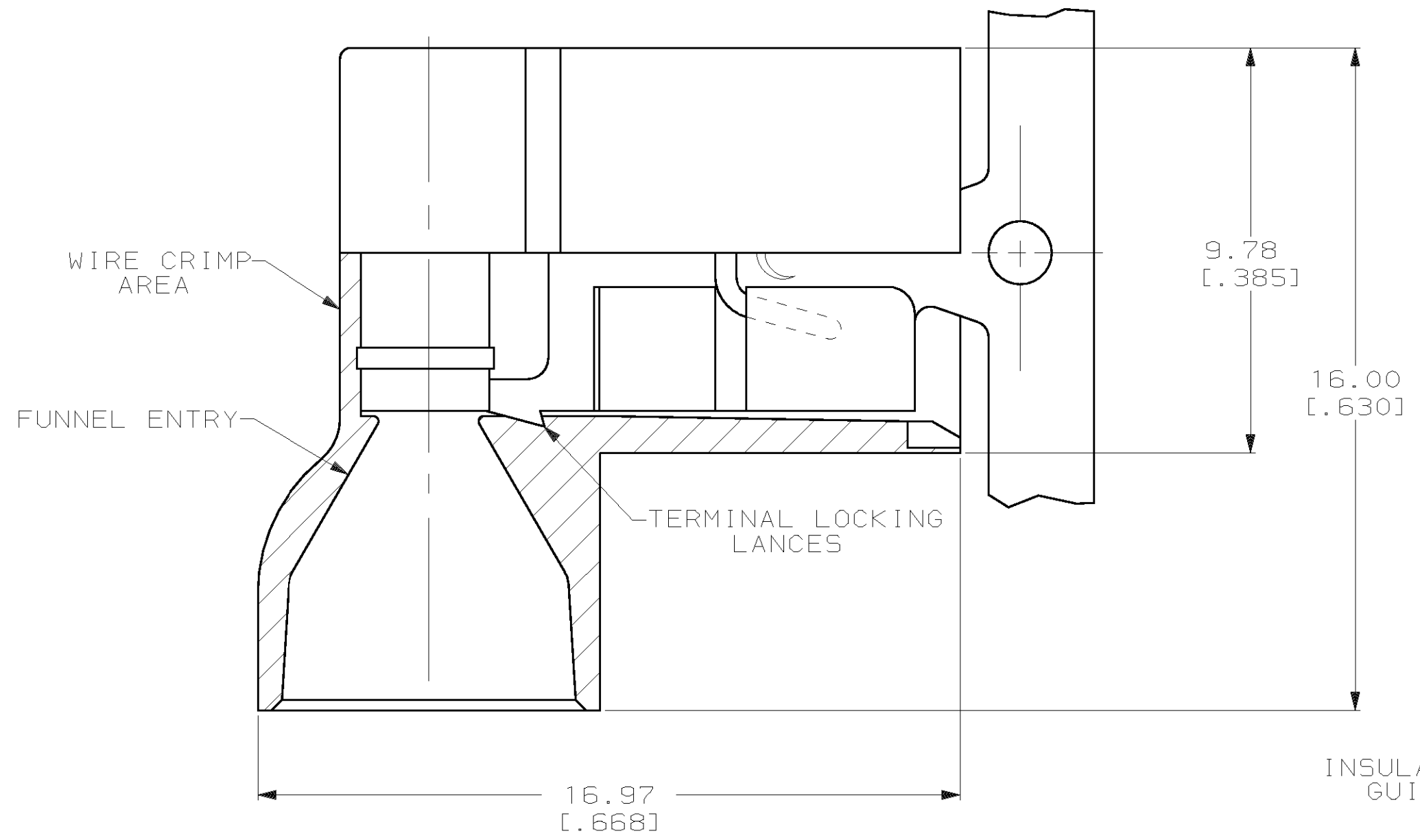
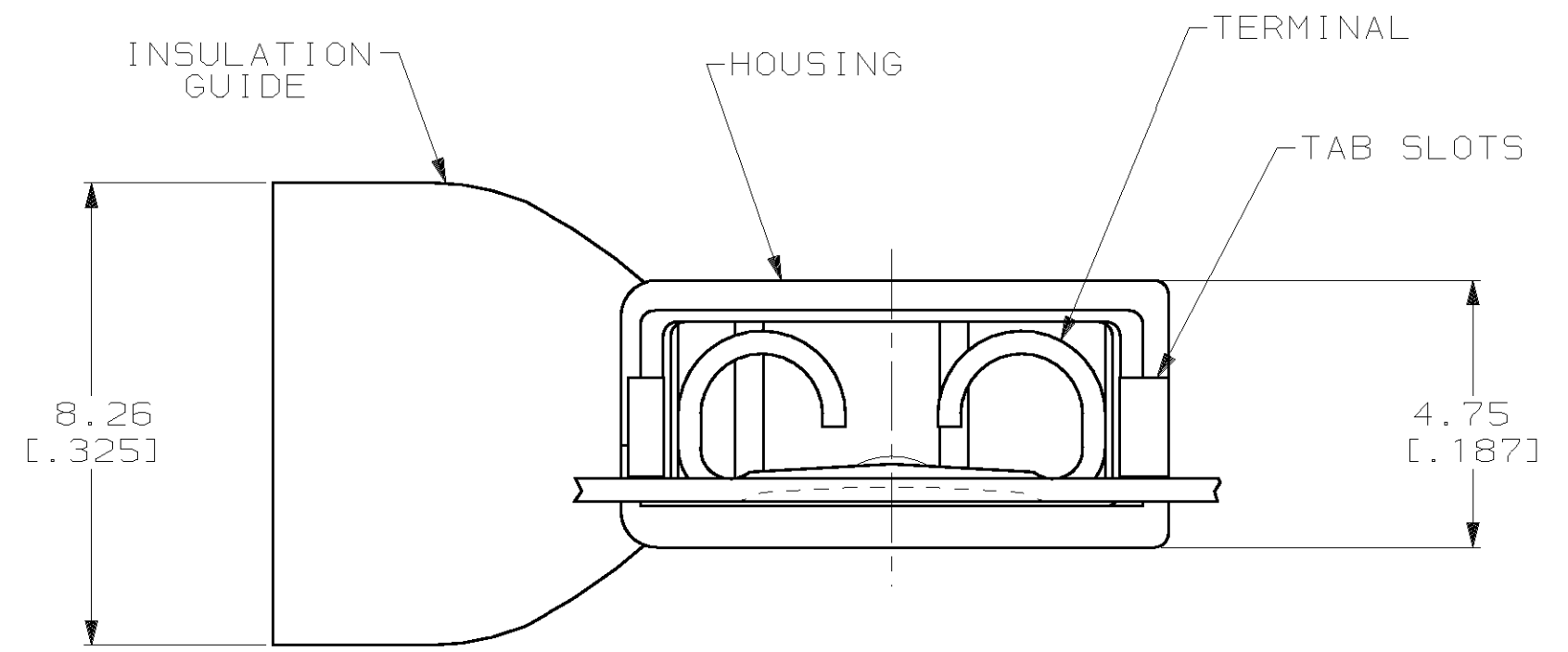
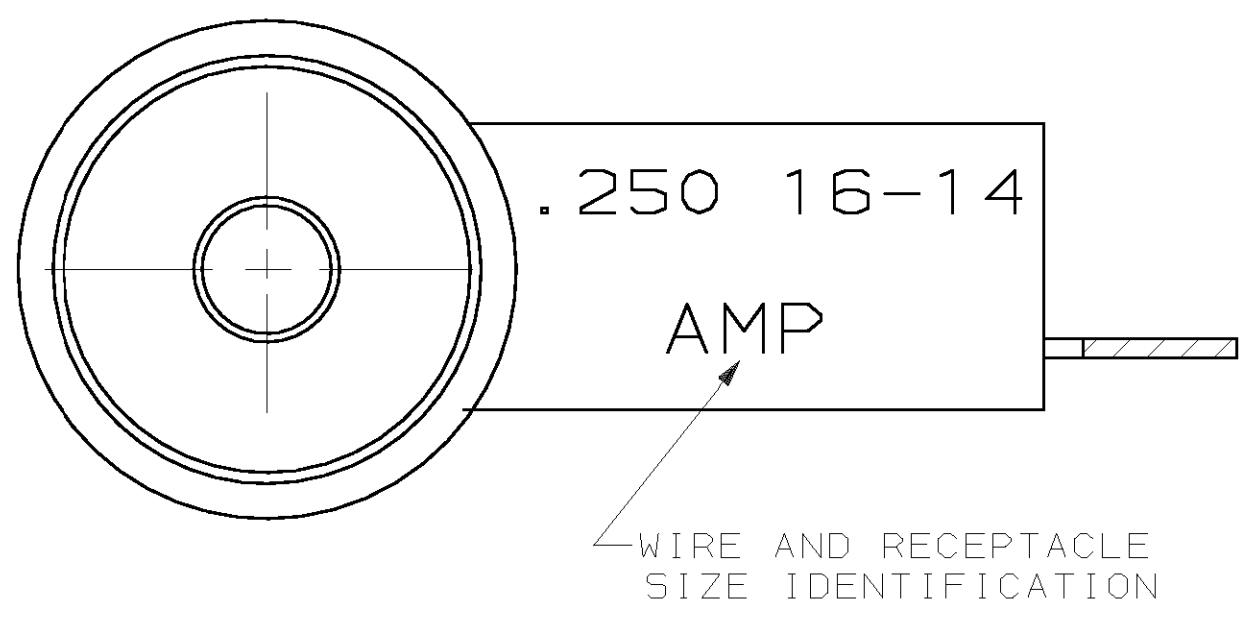


THIS DRAWING IS UNPUBLISHED. RELEASED FOR PUBLICATION
 © COPYRIGHT 19 BY AMP INCORPORATED. ALL INTERNATIONAL RIGHTS RESERVED.

LOC		DIST		P		F		ZONE		LTR		REVISIONS	
DESCRIPTION		DATE		APPD									
AF	50											C	ADDED 5-521013-2 PER 0710-0327-96
													7/2/96
													JR/DB



- 1 FITS 0.81±0.025 X 6.35 [.032±.001 X .250] TAB
- 2 WIRE SIZE: 1.3-2.0mm² [16-14 AWG], STRANDED ONLY.
 ONE WIRE STRIP LENGTH 7.94 [.312]
 TWO WIRE STRIP LENGTH 8.51 [.335]
- 3 INSULATION SIZE: 6.60 [.260] MAX DIA.
- 4 CONTINUOUS STRIP



BULK	TYPE 6/6 NYLON	BLUE TRANSLUCENT	0.41 [.016] #4H BRASS	TIN	5-521013-2
STANDARD	MATERIAL	COLOR	MATERIAL	FINISH	3-521013-2
PACKAGING	HOUSING		TERMINAL		PART NO
DO NOT SCALE PRINT. UNLESS SPECIFIED DIMENSIONS IN mm [INCHES] TOLERANCES ON : 2 PLC DEC ± - 3 PLC DEC ± 0.38 [.015] ANGLES ± -	DR 12/22/92 JR RUTH	CHK 12/22/92 MS FEHER	AMP INCORPORATED Harrisburg, Pa. 17105		
SEE TABLE	APPD 12/22/92 DJ BRATINA	APPD 12/22/92 V KARA.	NAME RECEPTACLE ASSEMBLY, ULTRA-FAST FLAG, 6.35 [.250] SERIES		
FINISH SEE TABLE	PRODUCT SPEC 108-2043	APPLICATION SPEC 114-2123	SIZE C	CAGE CODE 00779	DRAWING NO 521013
	WEIGHT -		SCALE 10:1		SHEET 1 OF 1

