

DWG. NO. SD-35128-002

SIMILAR ITEM

PROJECT NO.

B

DO NOT SCALE DRAWING
DIMENSION IN METRIC

8 7 6 5 4 3 2 1

F

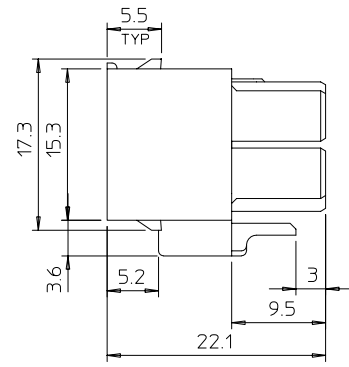
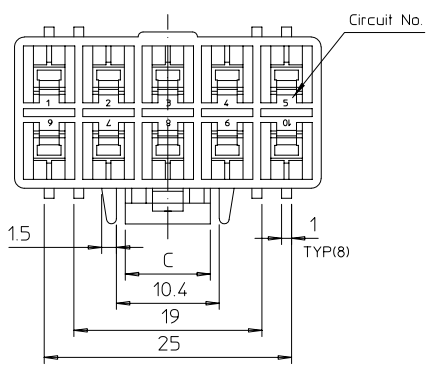
E

D

C

B

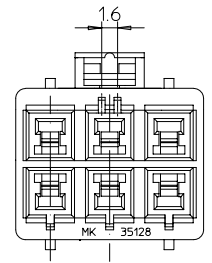
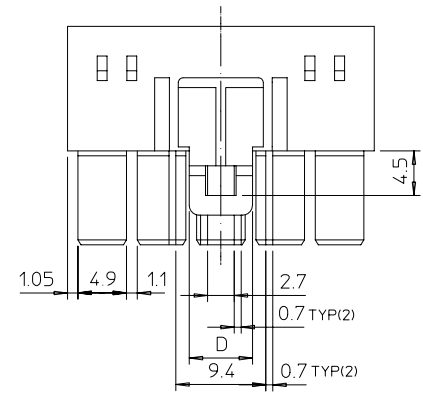
A



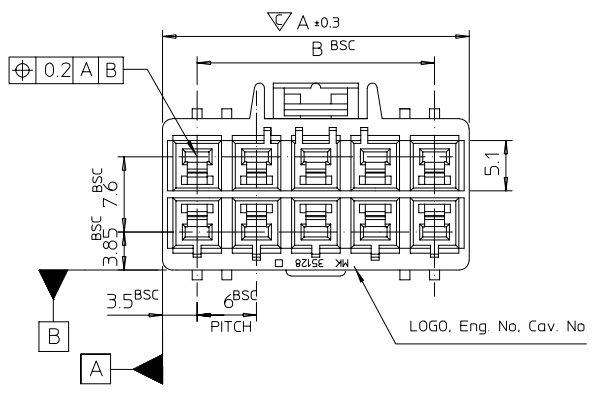
NOTES

1. MATERIALS: POLYESTER(PBT), UL94V-0, COLOR: NATURAL(WHITE)
2. DRAFT TO BE 0°30' UNLESS SPECIFIED.
3. WARPING TO BE 0.20 MAX.
4. PERMISSIBLE FLASH: 0.10MAX.
5. APPLICABLE FEMALE TERMINAL : 35028-****
6. MATED MALE HOUSING : 35127-****
7. PRODUCT SPECIFICATION : PS35128

6.4	8.6	24	31	351281000	35128-1000	10
5.2	7	12	19	351280600	35128-0600	6
D	C	B	A	MAT'L NO	ENG NO	CIRCUITS



6 CIRCUITS



REVISED ECN NO. KOR 1999-0103 DRWN: Y.R.WI 00.01.10 CHK: J.KOH APPR: C.W.LEE	DESCRIPTION MAJOR CRITICAL	GENERAL TOLERANCES: (UNLESS SPECIFIED)		SCALE 2:1	DESIGN UNITS <input checked="" type="checkbox"/> mm <input type="checkbox"/> INCH	THIRD ANGLE PROJECTION	DIMENSIONS: <input type="checkbox"/> mm <input type="checkbox"/> INCH <input checked="" type="checkbox"/> mm ONLY	SHT	REV
		4 PLACES ±0.	3 PLACES ±0.	2 PLACES ±0.	1 PLACE ±0.2	ANGULAR: ± 1°	DRAWN BY & DATE Y.J.KIM 91.10.17 CHECKED BY & DATE Y.J.KIM 92.01.30 APPROVED BY & DATE C.W.LEE 92.01.30		
B	REV	DRAFT WHERE APPLICABLE MUST REMAIN WITHIN DIMENSIONS		CAD FILENAME SD35128B_B.MI	MATERIAL NO. SEE TABLE	DRAWING NO. SD-35128-002	SHEET NO. 1 of 1	TITLE: 6.0 PITCH W-t-W FEMALE HSG - 6.10P	
THIS DRAWING CONTAINS INFORMATION THAT IS PROPRIETARY TO MOLEX INCORPORATED AND SHOULD NOT BE USED WITHOUT WRITTEN PERMISSION.						MOLEX INCORPORATED		SIZE B	

8 7 6 5 4 3 2 1 KOREA MX-A3