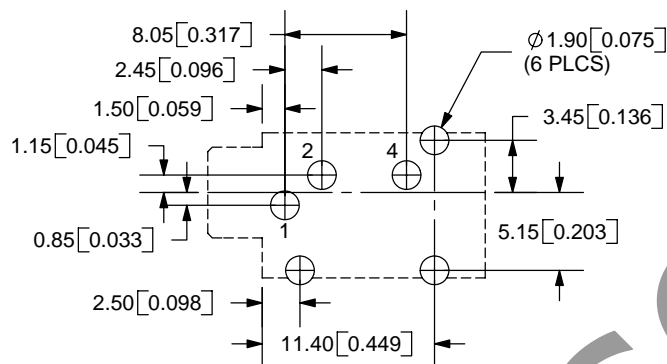
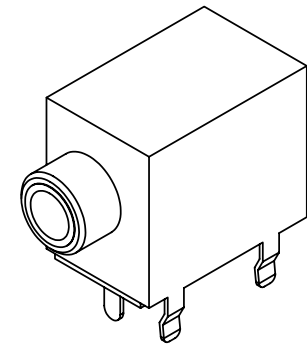
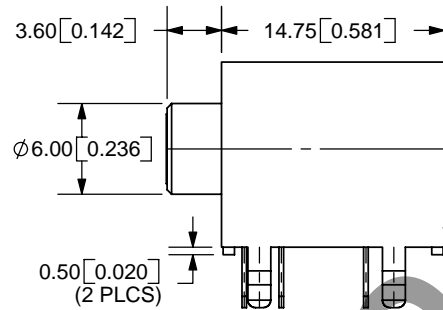
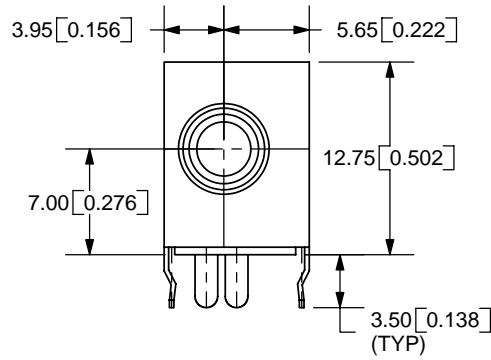


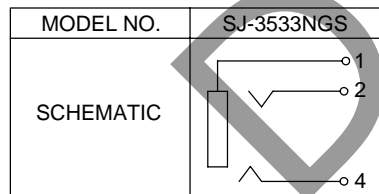
REV.	DESCRIPTION	DATE
A	NEW DRAWING	11/28/2005
B	Correction made to schematic	3/2/2006



PCB LAYOUT
TOP VIEW

SPECIFICATIONS:
 RATING: 16V DC @ 300mA
 CONTACT RESISTANCE: 50m OHMS MAX
 INSULATION RESISTANCE: 100M OHMS MIN: 500V DC
 VOLTAGE WITHSTAND: 500V AC R.M.S. FOR 1 MINUTE
 LIFE: 5,000 CYCLES

TOLERANCE:
 X.X ±0.2mm
 X.XX ±0.1mm
 X.XXX ±0.05mm



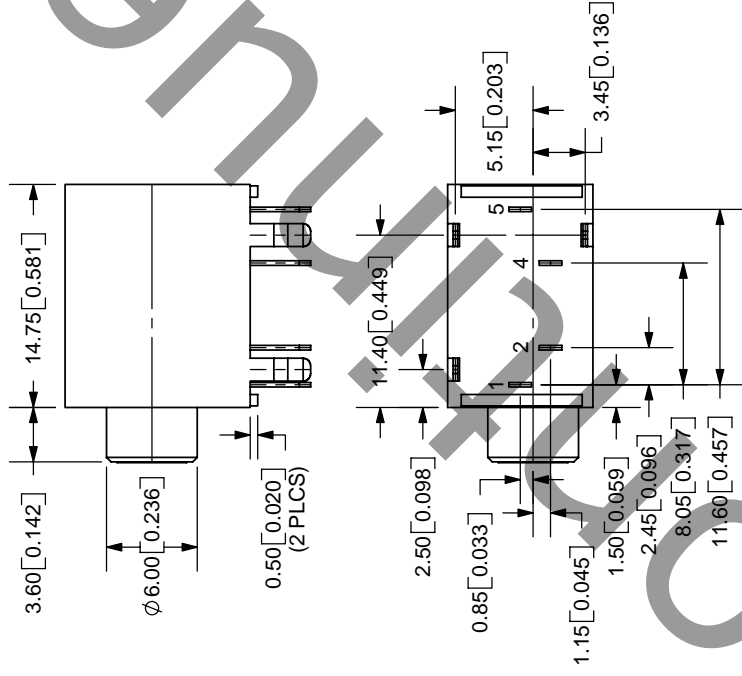
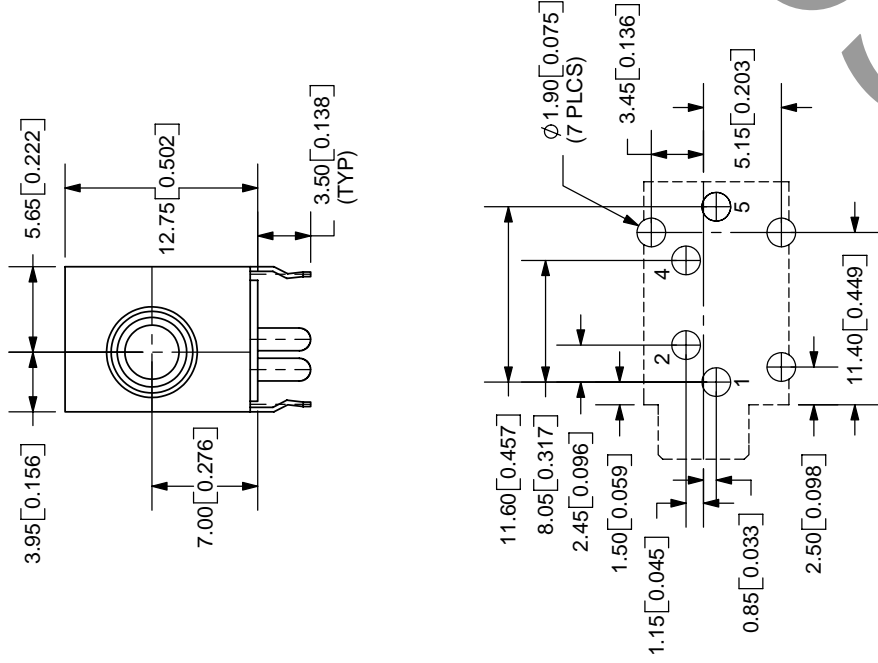
	MATERIAL	PLATING
TERMINAL 1	Brass	Tin
TERMINAL 2	Brass	Tin
TERMINAL 4	Brass	Tin
BUSHING	Brass	Nickel
RING SPRING	SUS301	Nickel
TIP SPRING	SUS301	Nickel
SHIELD	Iron Plate	Tin
HOUSING	PBT	



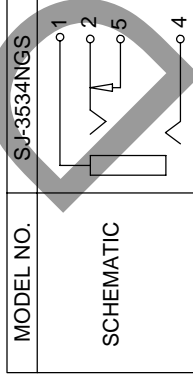
9615 SW Allen Blvd., Ste. 103
 Beaverton, OR 97005
 Phone: 503-643-4899
 800-275-4899
 Fax: 503-372-1266
 Website: www.cui.com

TITLE:	3.5mm 5 PIN RIGHT ANGLE STEREO JACK	REV:	B
PART NO.	SJ-3533NGS	UNITS:	MM [INCHES]
DRAWN BY:	ZRJ	APPROVED BY:	
		SCALE:	2:1

REV.	DESCRIPTION
A	NEW DRAWING
B	Correction made



PCB LAYOUT
TOP VIEW



SPECIFICATIONS:
 RATING: 16V DC @ 300mA
 CONTACT RESISTANCE: 50m OHMS MAX
 INSULATION RESISTANCE: 100M OHMS MIN: 500V DC
 VOLTAGE WITHSTAND: 500V AC R.M.S. FOR 1 MINUTE
 LIFE: 5,000 CYCLES

TERMINAL	MATERIAL	PLATING
TERMINAL 1	Brass	Tin
TERMINAL 2	Brass	Tin
TERMINAL 4	Brass	Tin
TERMINAL 5	Brass	Tin
BUSHING	Brass	Nickel
RING SPRING	SUS301	Nickel
TIP SPRING	SUS301	Nickel
SHIELD	Iron Plate	Tin
HOUSING	PBT	

PC FILE NAME:
SJ-3534NGS

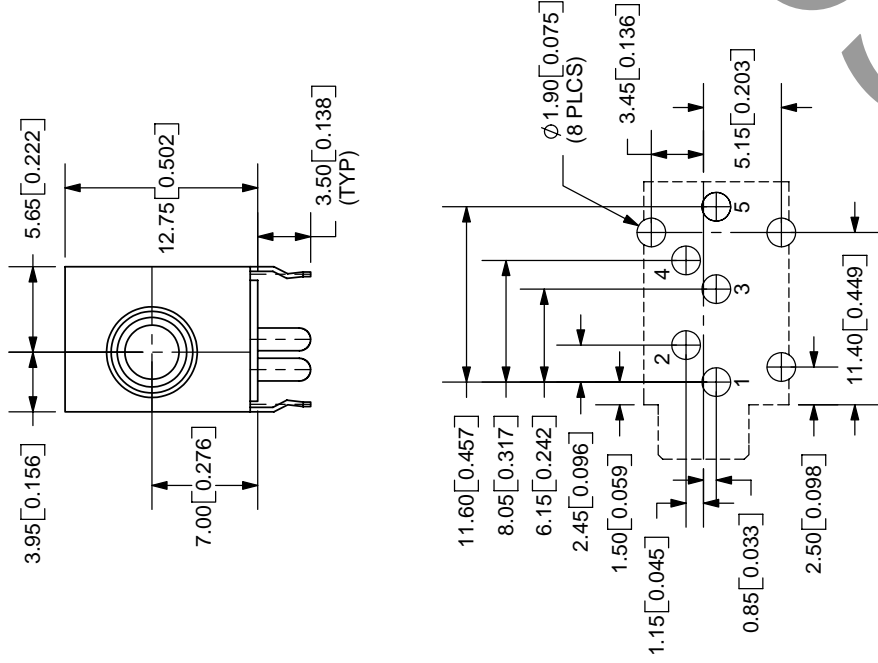
COPYRIGHT 2005 BY CUI INC.

TITLE: 3.5mm 5 PIN
 PART NO: SJ-3534NGS
 DRAWN BY: ZRJ

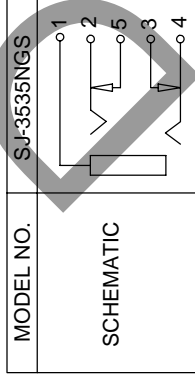
For more information, please visit the [product page](#).

TOLERANCE:
 X.X ±0.2mm
 X.XX ±0.1mm
 X.XXX ±0.05mm

REV.	DESCRIPTION
A	NEW DRAWING
B	Correction made

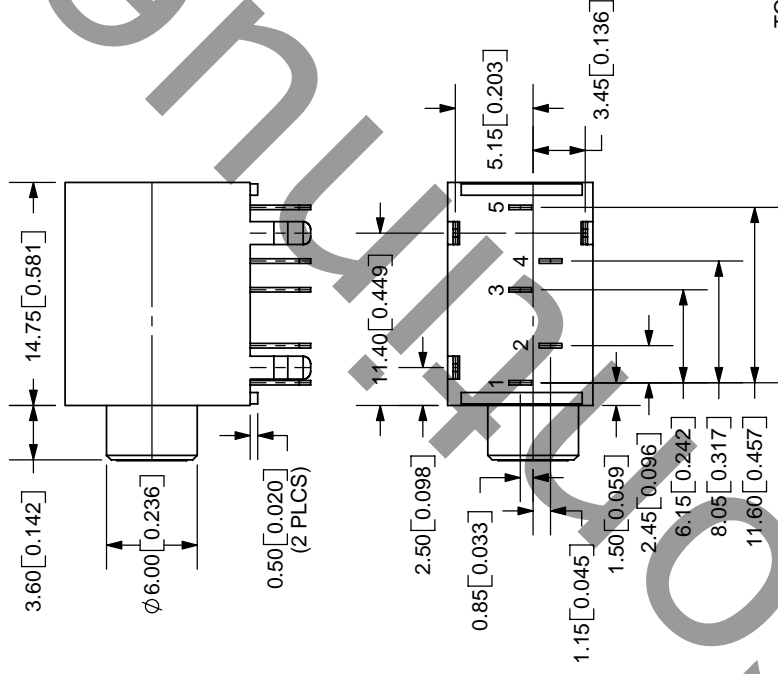


PCB LAYOUT
TOP VIEW



MODEL NO. SJ-3535NGS

SCHEMATIC



SPECIFICATIONS:

RATING: 16V DC @ 300mA
 CONTACT RESISTANCE: 50m OHMS MAX
 INSULATION RESISTANCE: 100M OHMS MIN: 500V DC
 VOLTAGE WITHSTAND: 500V AC R.M.S. FOR 1 MINUTE
 LIFE: 5,000 CYCLES

TOLERANCE:
 X.X ±0.2mm
 X.XX ±0.1mm
 X.XXX ±0.05mm



96

For more information, please visit the [product page](#).

TERMINAL	MATERIAL	PLATING
TERMINAL 1	Brass	Tin
TERMINAL 2	Brass	Tin
TERMINAL 3	Brass	Tin
TERMINAL 4	Brass	Tin
TERMINAL 5	Brass	Tin
BUSHING	Brass	Nickel
RING SPRING	SUS301	Nickel
TIP SPRING	SUS301	Nickel
SHIELD	Iron Plate	Tin
HOUSING	PBT	

TITLE: 3.5mm 5 PIN

PART NO. SJ-3535NGS

DRAWN BY: ZRJ

PC FILE NAME: SJ-3535NGS

COPYRIGHT 2005 BY CUI INC.